

**2190A, 2195A, 2215A, 2232A:
THREE-IN-ONE ALUMINUM COMMODE
ASSEMBLY & OPERATION INSTRUCTIONS**

PLEASE SAVE THESE INSTRUCTIONS FOR FUTURE USE



Warning: Please read all instructions before use. Do not use this product without proper instruction from a healthcare professional.



Warning: Commodes 2195A, 2215A, and 2232A have a maximum user weight limitation of 300 lbs.



Warning: Commode 2190A has a maximum user weight limitation of 400 lbs.



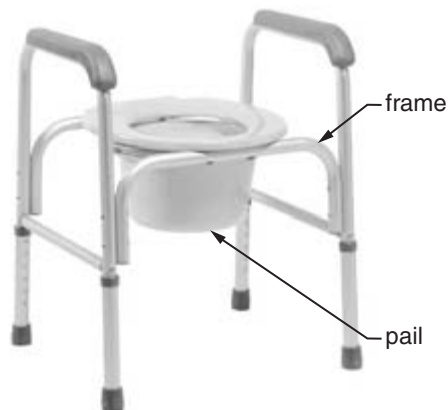
Warning: GF Health Products, Inc. assumes no responsibility for any damage or injury caused by improper installation, assembly or use of this product.



Warning: If components are damaged or missing, contact your dealer immediately. DO NOT use substitute parts.

Set-Up

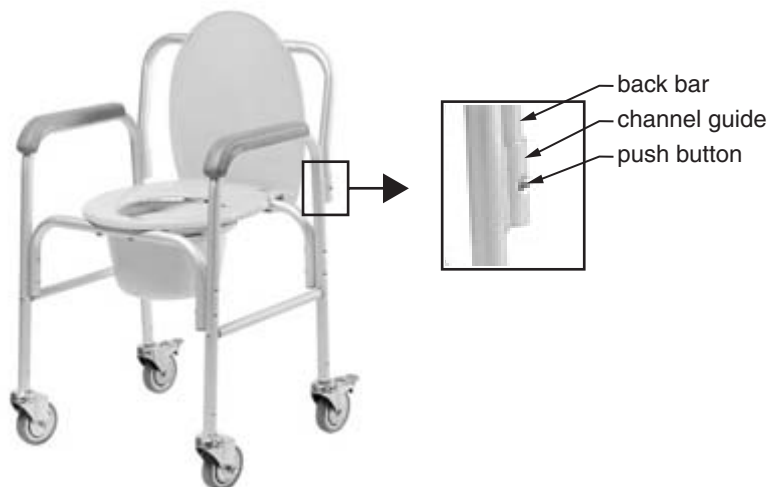
1. Remove pail, cover, and splash shield from carton.
2. In the upright position, place splash shield or pail and cover in frame (see picture at right).



set-up (2232A shown)

Insert back bar (2190A, 2195A and 2215A only)

1. Remove back bar from carton.
2. Insert back bar into channel guides on back of commode until back bar push buttons protrude fully through channel guide holes (see pictures at right).



insert back bar (2215A shown)

Adjust commode height (2190A, 2195A, and 2232A only)

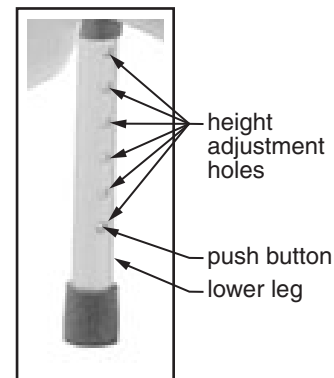
1. Depress the height adjustment button and slide the lower leg upward or downward until the height adjustment button is fully engaged in the desired hole (see pictures at right).
2. Repeat for the other three legs.



Warning: Ensure that all four commode legs are adjusted to the same height, and that all height adjustment buttons protrude fully through adjustment holes before use.



adjust height (2195A shown)



To use as a bedside commode

Ensure that the commode is adjusted to the desired height. Lift commode seat. Place commode pail in frame. Lower seat. Commode is ready for use.

To use over toilet

The commode fits over most toilet bowls and functions as a raised toilet seat and safety frame. When fitting the commode over a toilet bowl, remove the pail and lid. Leave the splash shield in place and remove the back bar (if included).

Maintenance

Check fit and tightness of all adjustable components weekly to ensure that commode is safe to use. To clean commode, use a mild soap and water solution, rinse with clear water, then dry with a soft cloth. Ensure that the commode is well-rinsed before using. Never use abrasive cleaners or scouring pads on any part of the commode.

In order to guarantee the best service from your commode, always specify Lumex replacement parts.

WARRANTY

This commode has a lifetime limited warranty. For additional warranty information, please contact your Graham-Field Health Products dealer.

Graham-Field Health Products
Atlanta, Georgia 30360 U.S.A.

