

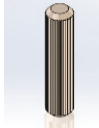


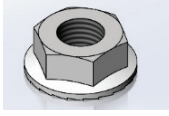


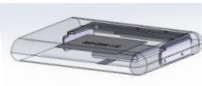


- ⚠ **WARNING: Important! Read and understand these instructions before installing the new parts. If you do not understand any part of these warnings, cautions or instructions, contact a healthcare professional for direction in the use of this product. If the parts are not properly installed, personal injury and damage to the bed and / or new parts could result.**
- ⚠ **WARNING: If components are damaged or missing, contact your GF authorized distributor immediately. DO NOT use substitute parts. The use of non-Basic American parts will void the warranty, and could create a hazardous condition resulting in serious personal injury.**
- ⚠ **WARNING: Unauthorized modification of the Amerilux Bed or the use of non-Basic American parts may change the structure of the bed and could create a hazardous condition, which may result in serious injury and will void the warranty.**
- ⚠ **WARNING: GF Health Products, Inc. assumes no responsibility for any damage or injury caused by improper assembly, installation or use of this product.**

**YOU WILL NEED**

Item	UOM	Description	Image
100-9900-090	12 ea	Cam-Lock	
100-9900-081	12 ea	Cam-Dowell	
100-7808-000	8 ea	Wooden Dowell	
100-5425-092	4 ea	Bronze Bolt 1/4 -20 x 20 mm Hex	
100-5425-106	4 ea	Button Head 1/4-20 x 5/32" Bolt	
100-2001-008	1 ea	Serrated Nut 1/4"-20	
Not Included	1 ea	Screwdriver (flat-head or Phillips)	
Hex Key	1 ea	5/32 Hex Key	
PMK (Provided)	1 kit	Amerilux Package Panel Mounting Kit	

# INSTALLATION INSTRUCTIONS

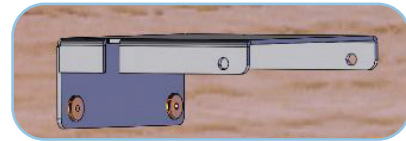
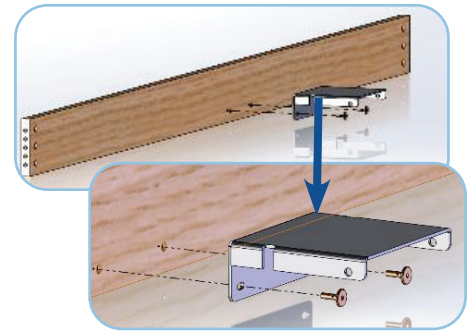
## 1 PREPPING THE SIDE BOARDS

### A. Remove the left and right Side Boards from Panel Mounting Kit (PMK):

1. Locate the Side Board mounting bracket.
2. Locate bronze bushing on the side board(s).
3. With 5/32" hex key, securely fasten mounting bracket to bronze bushing using bronze bolt(s).

⚠ **WARNING: DO NOT fully tighten.**

4. Repeat steps 1-3 for second side board.

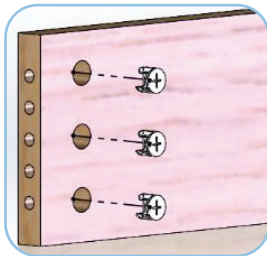


### B. Prepping the Side Board(s):

1. Locate cam locks.
2. Install cam locks into the side board (see image(s) below).

▲ **NOTE: Cam lock MUST be facing outwards and pointing towards the end of the skirt.**

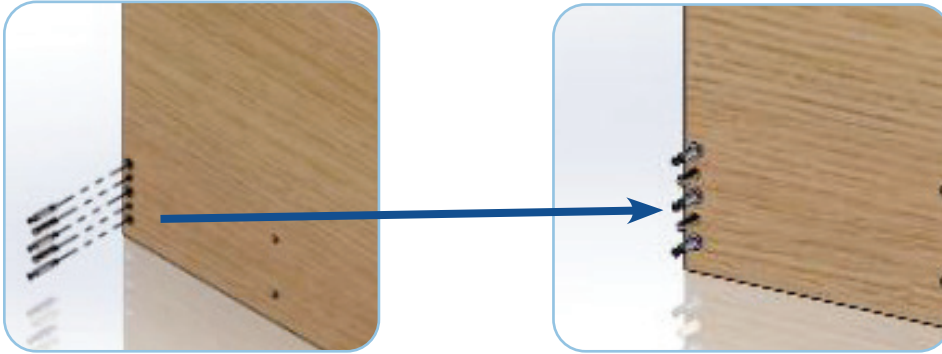
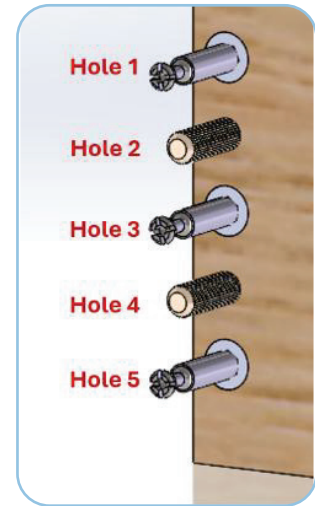
3. Repeat steps 1 and 2 for second Side Board.
4. Set side board(s) aside for later use.



## 2 PREPPING THE HEADBOARD / FOOTBOARD

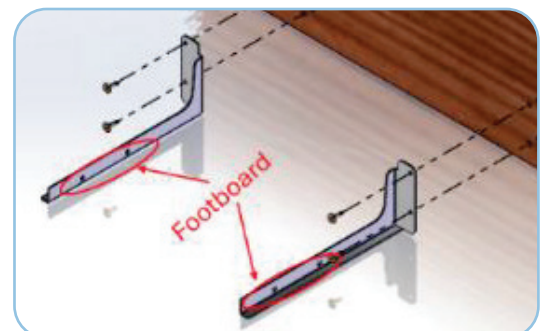
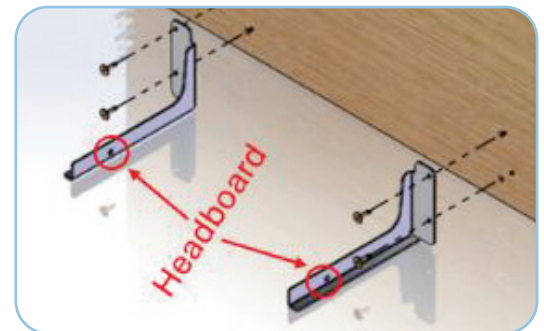
### A. Remove the Headboard and Footboard from PMK:

1. Grab the Headboard.
2. Locate the wooden and cam dowels.
3. Install cam dowels into the pre-installed M6 threaded insert holes (1, 3, and 5) in the Headboard (see right).
4. Install wooden dowels in pre-drilled holes (2 and 4).
5. Repeat steps 1-4 for Footboard.



### B. Prepping the Headboard / Footboard

1. Locate the L-shaped mounting brackets in the PMK.
  - ▲ **NOTE: The Headboard mounting bracket(s) have one hole on the non-mounting end (see right).**
  - ▲ **NOTE: The Footboard mounting bracket(s) have two holes on the non-mounting end (see right) for extending the bed from 80" to 84".**
2. Install the L-shaped mounting brackets to the Headboard using the bronze bolt(s) with a 5/32" hex key.
3. Repeat steps 1 and 2 for Footboard.

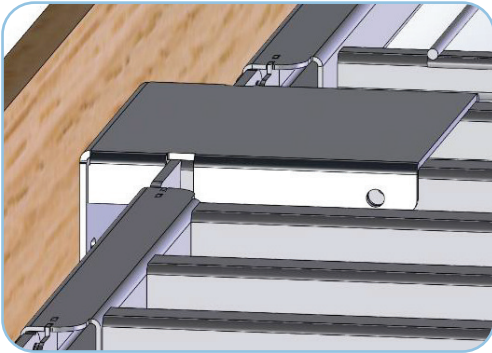
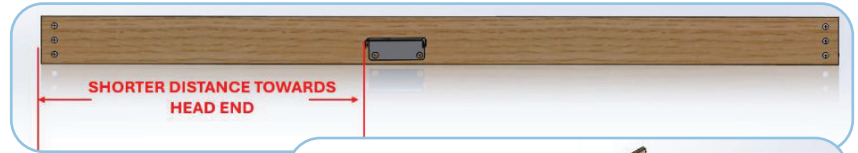


### 3 INSTALLING THE SIDE BOARDS

#### A. After the Side Boards are prepped:

▲ **NOTE:** Side board with the shorter distance from the installed bracket faces the head-end of the bed (see image right).

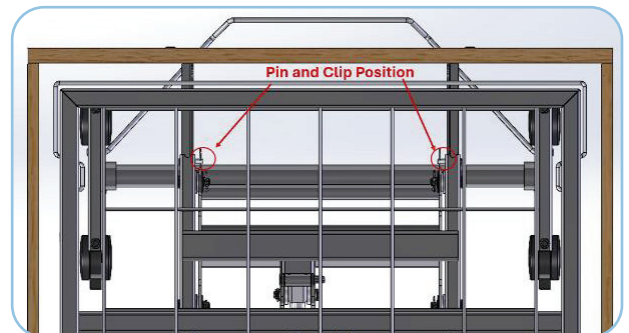
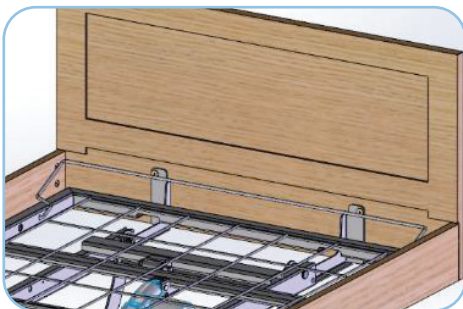
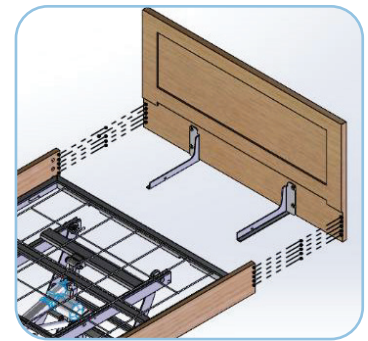
1. Locate the prepped Side Boards.
2. To mount Side Board(s) to bed, line up holes of the seat section of the sleep deck to the holes of the mounting bracket on Side Board(s) (see image below).
3. Fasten Side Board(s) to the seat section of the bed using the button head screw(s) and serrated nut(s).



### 4 INSTALLING THE HEADBOARD

#### A. After the Headboard is prepped:

1. Locate the prepped Headboard.
2. To mount the Headboard to bed frame, align the cam / wooden dowels with the holes on the end of the Side Board(s) and insert dowels (see image right).
3. Line up hole(s) of the mounting bracket on Headboard with the hole(s) on the mainframe (see image below).
4. Secure Headboard to mainframe using the pin and clip (provided).

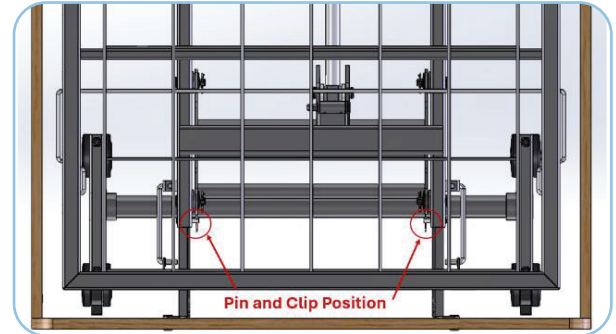
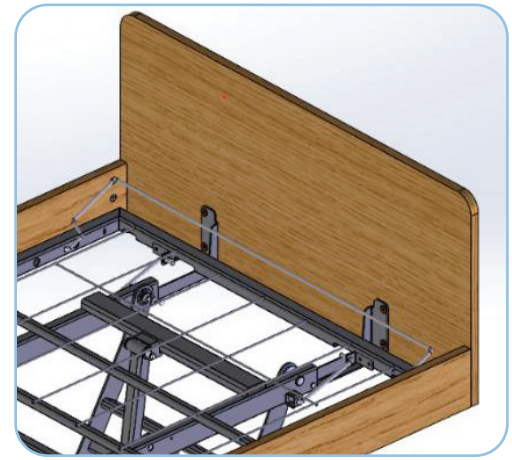
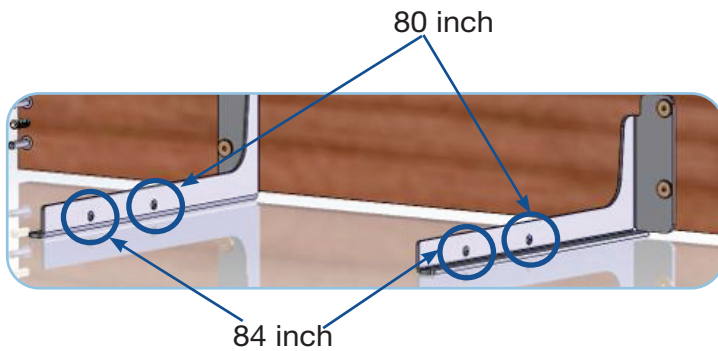


## 5 INSTALLING THE FOOTBOARD

### A. After the Footboard is prepped:

1. Locate the prepped Footboard.
2. To mount the Footboard to bed frame, align the cam / wooden dowels with the holes on the end of the Side Board(s) and insert dowels (see image right).
3. Line up hole(s) of the mounting bracket on Footboard with the hole(s) on the mainframe.
4. Secure Footboard to mainframe using the pin and clip (provided) (see image right).

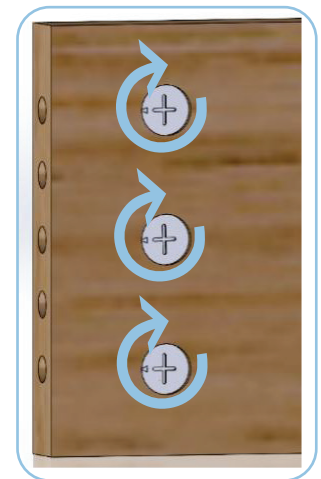
▲ **NOTE: The first hole on the Footboard mounting bracket(s) is for 84" bed extension and the second hole on the bracket(s) is for the 80" bed extension (see image below).**



## 6 CHECKING INSTALLATION

### A. After the Side Boards, Headboard, and Footboard installation:

1. Raise the knee and head deck with the Amerilux hand pendant.
2. Lock cam locks with a screwdriver in a clockwise (see image right) direction until they can no longer turn (arrow should be facing the center of the bed).
3. Repeat in each corner.
4. Tighten all bolts.



The Amerilux bed Side Boards, Headboard, and Footboard are now installed.



---

Manufactured For:  
GF Health Products, Inc.  
1 Graham-Field Way, Atlanta, GA 30340



+1 770.368.4700

Information contained herein is subject to change without notice.  
The most current and complete product information can be found on our website.  
[www.grahamfield.com](http://www.grahamfield.com)



© 2026, GF Health Products, Inc. All Rights Reserved.  
Basic American Medical Products is a trademark  
of GF Health Products, Inc.  
BA\_GF2600049-INS-LAB-RevA26