



ADJUSTABLE-HEIGHT TABLE BASE



ATB114BL shown with table top installed

Table Base Series:

ATB100BL Adjustable-Height Table Base, Tilt – Without Transport

ATB114BL Adjustable-Height Table Base, Tilt – With Transport

TKR1 Transport Kit, 4-Caster Roll Mechanism



ATB100BL



ATB114BL



TKR1

INSTRUCTIONS FOR USE

Complies with ANSI/BIFMA X5.5-2014

CONTENTS

INTRODUCTION	3
ENVIRONMENTAL SPECIFICATIONS	3
DISPOSAL OF EQUIPMENT AND ACCESSORIES.....	3
BORING PATTERN	3
IMPORTANT SAFETY INFORMATION — READ BEFORE USE	4
WARNINGS	4
OPERATION	5
HEIGHT ADJUSTMENT	5
TILT ADJUSTMENT	6
TILT PROCEDURE	6
TRANSPORT ROLLER OPERATION.....	7
ENGAGEMENT/DISENGAGEMENT PROCEDURE	7
MAINTENANCE OR SERVICE PROCEDURES	8
APPLY LITHIUM GREASE TO THE INTERNAL ACME SCREW YEARLY	8
ADJUST THE TILT MECHANISM SET SCREWS	8
ADJUST THE COLUMN SET SCREWS.....	9
CLEANING	9
LIMITED WARRANTY	10

INTRODUCTION

This manual contains operation and maintenance instructions for the Basic American Medical Products Adjustable-Height Table Base. Read the entire manual carefully before using your table base and refer to it during use if you have questions. If you have further questions, please call Graham-Field / Lumex Technical Support at 1.770.368.4700.

ENVIRONMENTAL SPECIFICATIONS

Operating Conditions	
Ambient Temperature	10°C to 40°C
Relative Humidity	30% to 75% Non-Condensing

Storage and Transport Conditions	
Temperature	-10°C to 50°C
Relative Humidity	20% to 90%

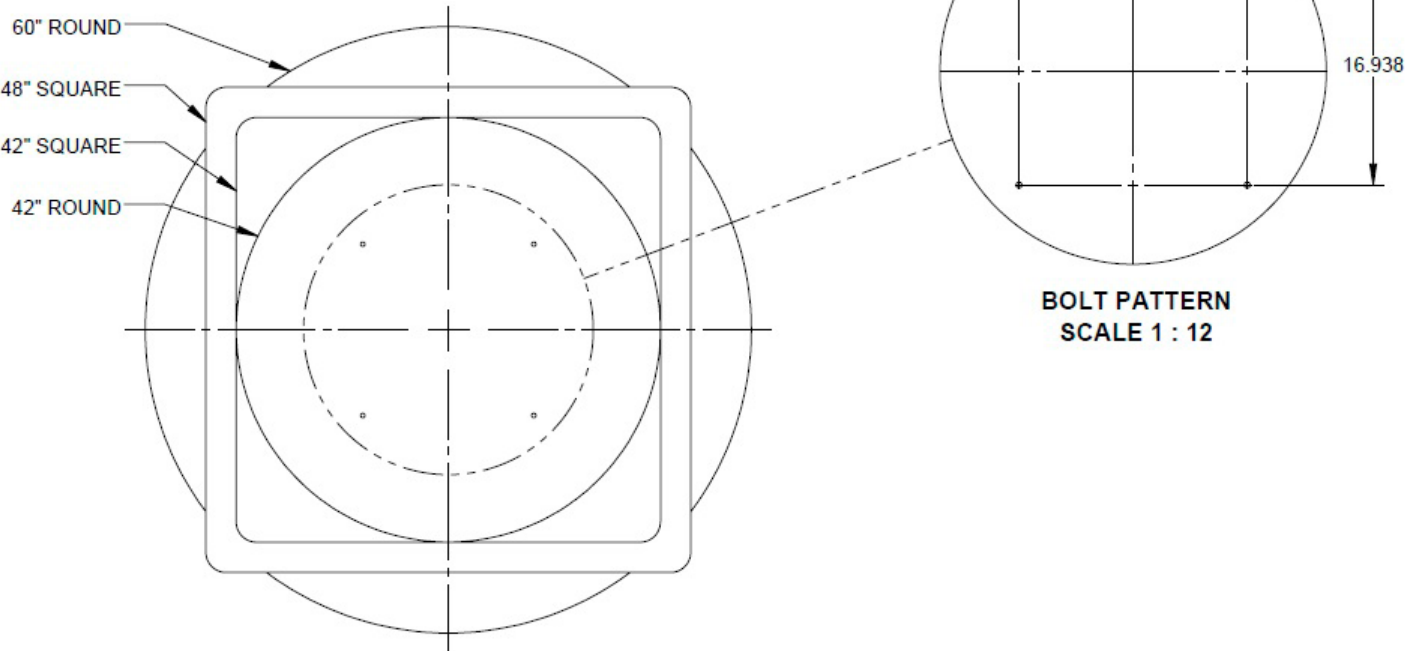
DISPOSAL OF EQUIPMENT AND ACCESSORIES

Follow local governing ordinances and recycling plans regarding disposal of the product or components normally used in operation. The product does not generate waste or residue in operation. Any accessories not part of the product must be handled in accordance with the individual product marking for disposal.

BORING PATTERN

BOLT PATTERN DIMENSIONS

SPECIFICATIONS: TYPE: THREADED INSERT
 INTERNAL THREAD SIZE: 5/16"-18
 THREAD TYPE: COARSE
 TAP DRILL SIZE: 0.438"
 STYLE: HEX
 APPLICATION: WOOD



If using your own table top, use the boring pattern shown above to match the table base.

IMPORTANT SAFETY INFORMATION — READ BEFORE USE

The safety statements presented in this chapter refer to the basic safety information that the table base user must pay attention to and abide by. There are additional safety statements in other chapters or sections, which may be the same as or similar to the following, or specific to the operations. Please note the following special statements, used throughout this manual, and their significance:

- ⚠ WARNING:** Indicates a potential hazard situation or unsafe practice that, if not avoided, could result in death or serious personal injury.
- ⚠ CAUTION:** Indicates a potential hazard or unsafe practice that, if not avoided, could result in minor or moderate personal injury.
- ▲ NOTICE:** Indicates a potential hazard or unsafe practice that, if not avoided, could result in product or property damage.

Info: Provides application recommendations or other useful information to ensure you get the most from your product.

WARNINGS

- ⚠ WARNING:** Important! Read and understand these instructions before assembling or using the Adjustable-Height Table Base. If you do not understand any part of these warnings, cautions or instructions, contact GF Customer Service at 1-770-368-4700 for direction in the use of this product. If the Adjustable-Height Table Base is not properly assembled or installed, personal injury and damage to the Adjustable-Height Table Base could result.
- ⚠ WARNING:** This product is intended for use indoors within an institutional environment.
- ⚠ WARNING:** If components are damaged or missing, contact your Graham-Field authorized distributor immediately.
- ⚠ WARNING:** This product has a maximum weight capacity of 125 lb applied to the table top. DO NOT exceed the maximum weight capacity.
- ⚠ WARNING:** The height adjustment crank must be operated by STAFF ONLY.
- ⚠ WARNING:** Notice for California Customers - California Proposition 65 **WARNING:** This product can expose you to chemicals including DEHP which is known to the State of California to cause cancer and birth defects or other reproductive harm. For more information go to www.P65Warnings.ca.gov/product.
- ⚠ WARNING:** GF Health Products, Inc. assumes no responsibility for any damage or injury caused by improper assembly or use of this product.

OPERATION

HEIGHT ADJUSTMENT

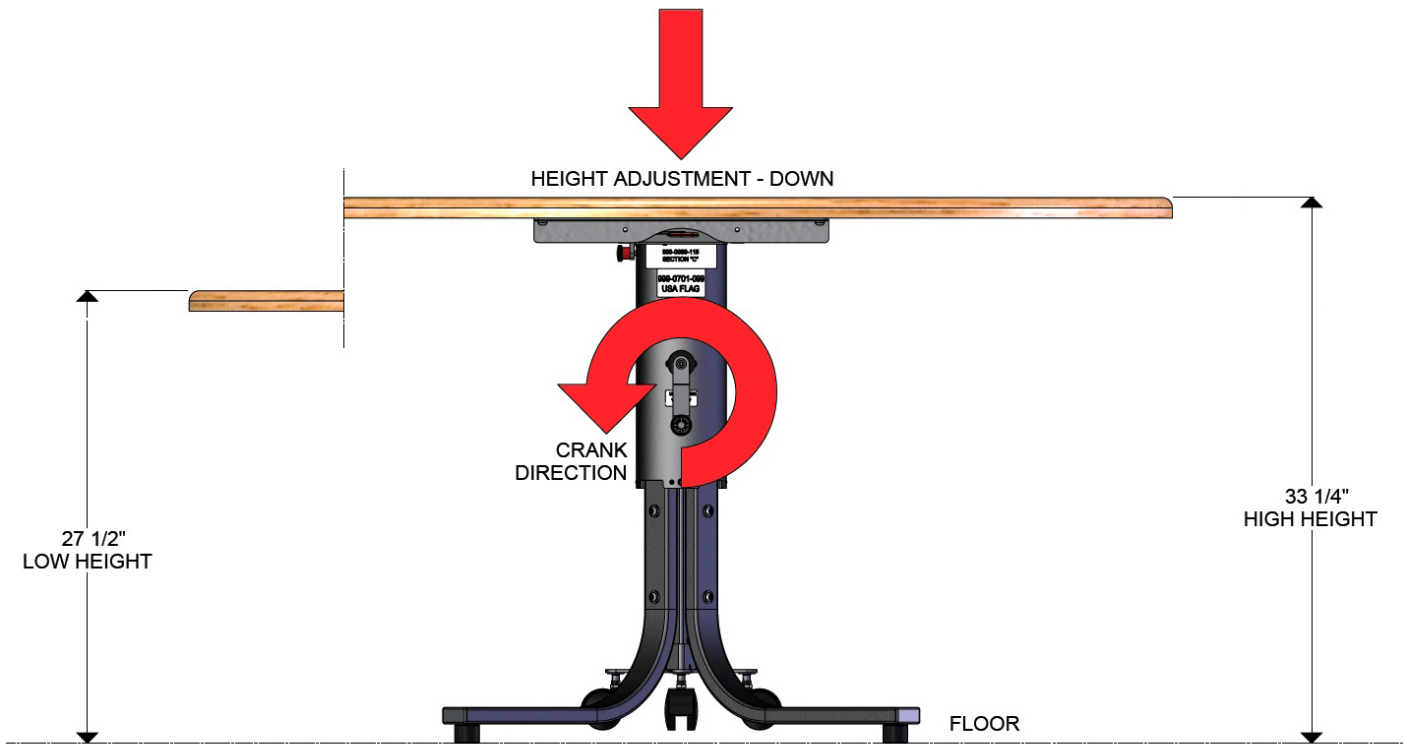
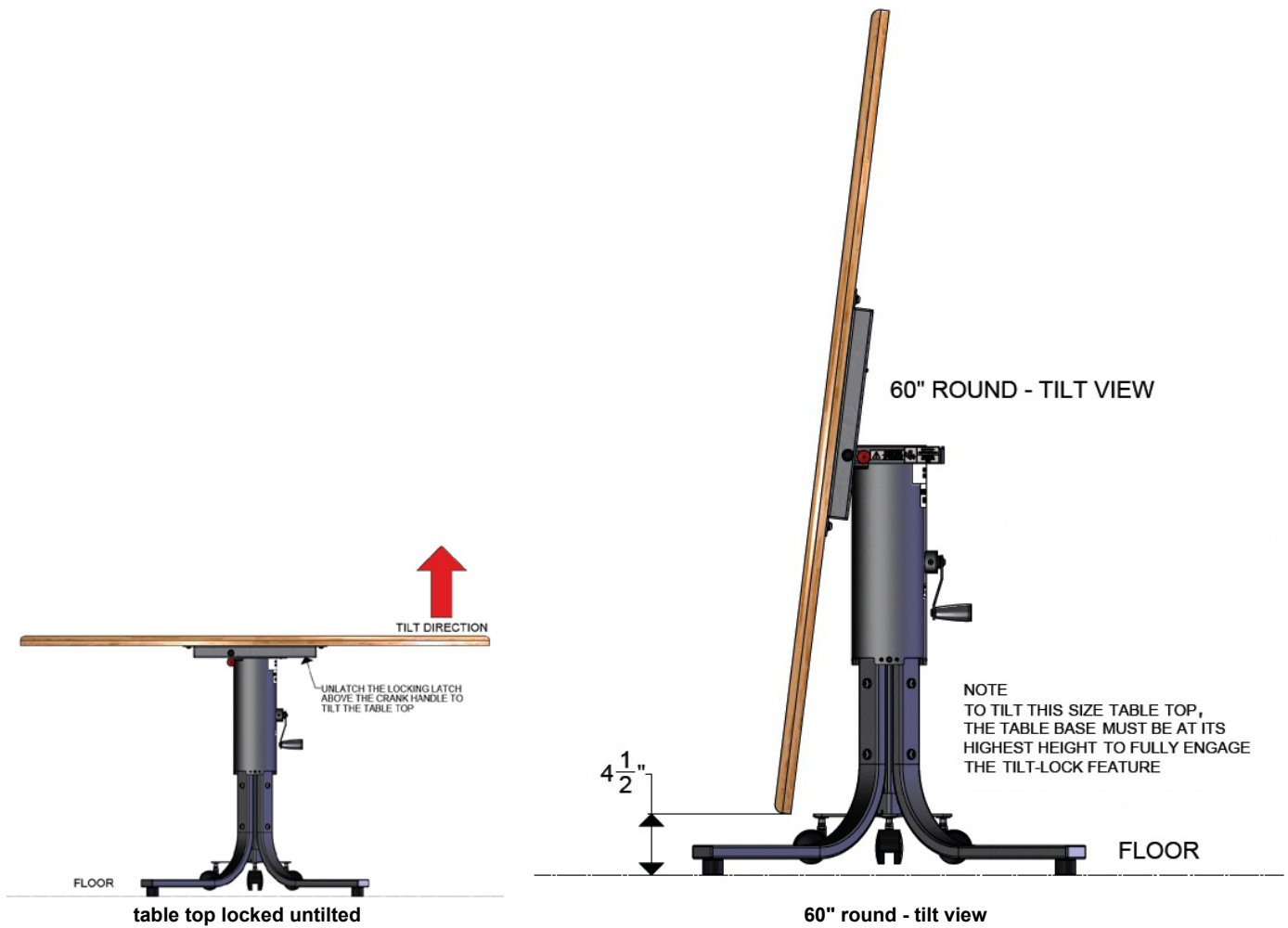


Table top minimum height is shown at above left, and maximum height is shown at above right. The table top height may be raised to allow wheelchair arms, etc. to clear under the table top, or lowered as needed.

Adjust table top height by rotating the crank handle clockwise to raise it, or counterclockwise to lower it, as shown above, until the desired position is achieved.

TILT ADJUSTMENT



Tilt Procedure

⚠ WARNING: Pinch point — keep hands clear when adjusting table top tilt.

To tilt table top: Being careful to keep your hands clear, move the latch lever shown in picture at right, tilt the table top until you hear a click; the top has locked in the tilted position with a spring-loaded pin.

To tilt table top back to horizontal position: : Being careful to keep your hands clear, pull the red release knob to release the top and tilt the table top back to horizontal position.

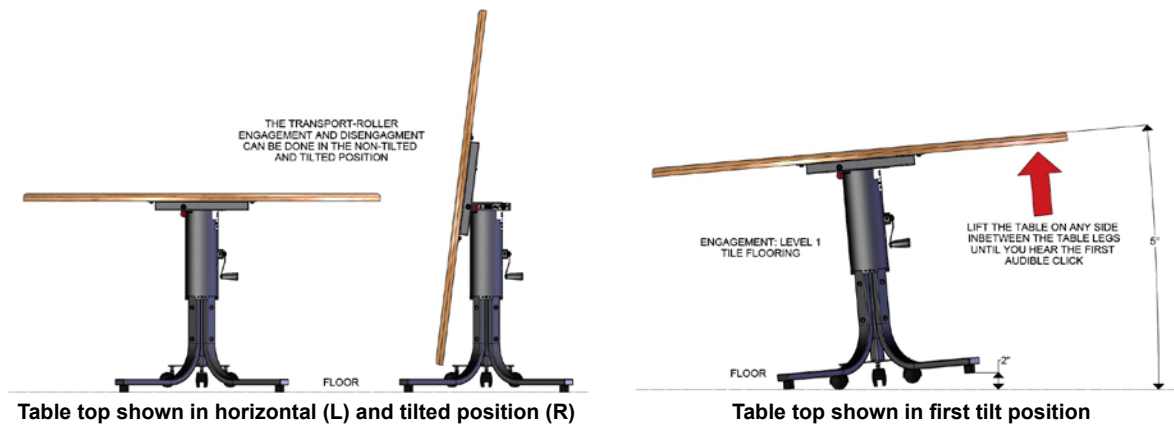
⚠ WARNING: Ensure latch is fully engaged in fully latched position before use.



TRANSPORT ROLLER OPERATION

Engagement/Disengagement Procedure

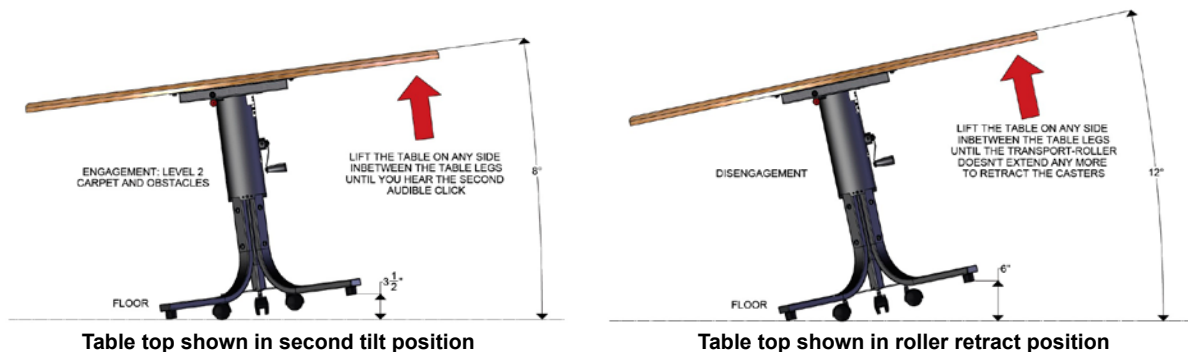
The Transport feature of the Basic American Medical Products Adjustable-Height Table Base offers both a low-roll clearance position for tile and wood flooring, and a high-roll clearance position for carpet and obstacles.



The picture at above left shows the table top in both horizontal and completely tilted position, as noted. The transport roller caster assembly is retracted. The table can be moved in either position.

⚠ WARNING: Use caution when moving the table in the completely tilted position, since the engagement of the transport roller caster assembly may affect stability.

The picture at above right shows the table top being tilted to the first tilted position for tile flooring — two legs come off the floor approximately 2 to 3 inches (approximately 5 to 7 degrees) — **until the first audible click.**



The picture at above left shows the table top being tilted to the second tilted position for carpet and obstacles — two legs come off the floor approximately 3 1/2 to 5 inches (approximately 8 to 10 degrees) — **until the second audible click.**

If the table top is tipped beyond that, so the legs come off the floor approximately 6 inches or more (approximately 12 degrees or greater), the transport roller mechanism will disengage.

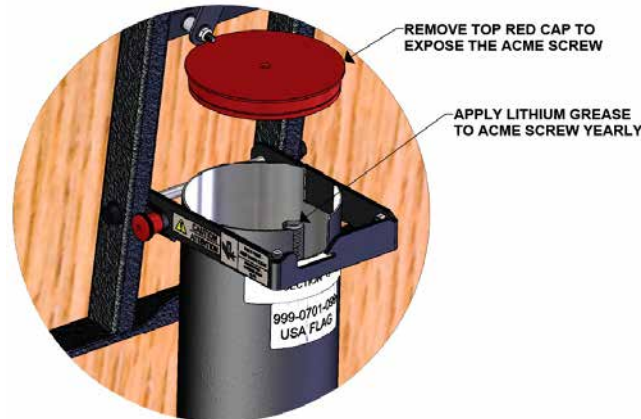
⚠ WARNING: Ensure transport roller caster assembly is fully retracted before use.

MAINTENANCE OR SERVICE PROCEDURES

Over time the height-adjustable table base may need to be serviced and adjusted. Follow these procedures to keep it in good operating condition.

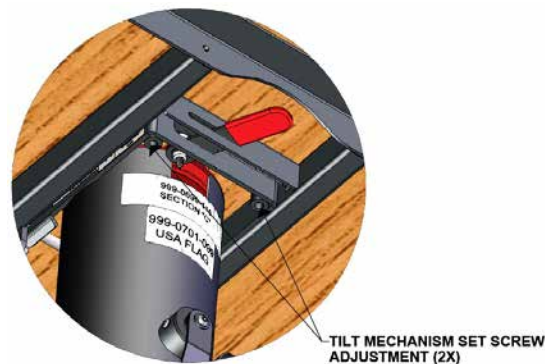
Check the fit and tightness frequently of all fasteners, and tighten as necessary, to ensure the table base is securely assembled.

APPLY LITHIUM GREASE TO THE INTERNAL ACME SCREW YEARLY



Apply lithium grease to the internal ACME screw yearly by placing the table in the completely tilted position and removing the top red cap of the table base to expose the ACME screw as shown above.

ADJUST THE TILT MECHANISM SET SCREWS



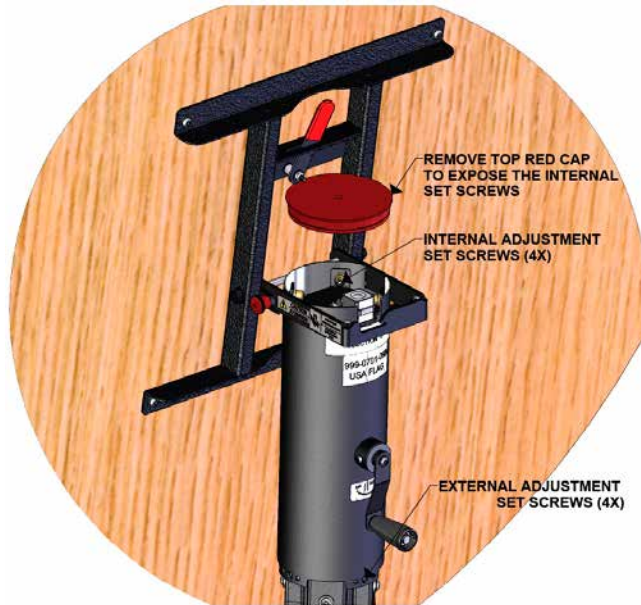
Tilt mechanism set screw adjustment: If the table top has an unintended sloppy up and down movement or becomes un-level, the tilt mechanism set screws need to be adjusted. To do this, locate the latching point of the table base, as shown above.

On the underside of the latching point are two $\frac{3}{16}$ " set screws that can be turned clockwise in small increments equally until they are both tight up against the tilt mechanism.

⚠ WARNING: Turning these set screws too far will result in the tilt mechanism not being able to securely latch and cause an unsafe situation.

When the set screws are adjusted correctly there will be minimum unintended up and down movement and the table will stay in the most level and horizontal position.

ADJUST THE COLUMN SET SCREWS



Column Set Screw Adjustment: If the table base has a twisting motion, the column set screws need external and internal adjustment. There are two locations that must be adjusted to remove the twisting motion.

First the table base will need to be adjusted to its lowest height position. The external adjustment location is visible on the table base lower column.

There are four $\frac{3}{16}$ " set screws that can be turned clockwise in small increments equally, up to a half-turn total and tight to the lower column.

For the internal adjustment location you will need to tilt the table top in the vertical position. Remove the top red cap of the table base to expose the other four $\frac{3}{16}$ " set screws as shown above.

These set screws can be turned clockwise in small increments equally, up to a half-turn total as well and tight to the inner column. After making the adjustments, place the top red cap back on the table base and return the table base to the horizontal position.

Info: The more these set screws are tightened, the more effort it will take to crank the table up and down.

CLEANING

1. To clean: Gently wipe the table base with a soft, clean, damp cloth.

▲ **NOTICE: DO NOT** use cleansers that could damage the table base's finish.

▲ **NOTICE: DO NOT** leave liquids on table base for an extended period of time. Dry table thoroughly after cleaning.

2. To wash more thoroughly: Clean with mild soap and water.

3. Dry table base ***thoroughly*** with a clean, soft cloth.

LIMITED WARRANTY

SCOPE OF WARRANTY

GF Health Products, Inc. ("GF") warrants to the original purchaser only that it will replace or repair components, at GF's sole discretion, that are defective in material or workmanship under normal use and service. All warranties are conditioned upon the proper use of the products strictly in accordance with good commercial practice and applicable GF instructions and manuals, including proper use and maintenance. To the extent that a component is warranted by a third party, GF conveys all of its rights under that warranty to the original purchaser, to the extent permitted.

This limited warranty shall only apply to defects that are reported to GF's customer service team within the applicable warranty period and which, upon examination by GF or its authorized representative, prove to be a warranty item. This limited warranty is not transferable.

The warranted components and time period are set forth below:

Welds: twenty-five (25) years

Components: one (1) year

The applicable warranty period shall commence from date of shipment to the original customer, unless there is an expiration date on the component in which case the warranty shall expire on the earlier of warranty period or the expiration date.

OBTAINING WARRANTY SERVICE

A GF Customer Service Representative must authorize warranty service. Please contact the GF Customer Service department by calling 1-770-368-4700, sending a fax request to 1-770-368-2386, or by e-mailing a request to cs@grahamfield.com. Specific directions will be provided by the Customer Service Representative. Failure to abide by the specific directions will result in denial of the warranty claim.

EXCLUSIONS

The warranty does not cover and GF shall not be liable for the following:

- 1) Defects, damage, or other conditions caused, in whole or in part, by misuse, abuse, negligence, alteration, accident, freight damage, tampering or failure to seek and obtain repair or replacement in a timely manner;
- 2) Products which are not installed, used, or properly cleaned and maintained as required in the official manual for the applicable product;
- 3) Products considered to be of a non-durable nature including, but not limited to: casters, filters, fuses, gaskets, lubricants, and charts;
- 4) Accessories or parts not provided by GF;
- 5) Charges by anyone for adjustments, repairs, replacement parts, installation or other work performed upon or in connection with such products which are not expressly authorized in writing, in advance, by GF;
- 6) Any labor or shipping charges incurred in the replacement part installation or repair;
- 7) Costs and expenses of regular maintenance and cleaning; and
- 8) Representations and warranties made by any person or entity other than GF.

ENTIRE WARRANTY, EXCLUSIVE REMEDY AND CONSEQUENTIAL DAMAGES DISCLAIMER

THIS WARRANTY IS GF'S ONLY WARRANTY AND IS IN LIEU OF ALL OTHER WARRANTIES, EXPRESS OR IMPLIED. GF MAKES NO IMPLIED WARRANTIES OF ANY KIND INCLUDING ANY IMPLIED WARRANTIES OF MERCHANTABILITY OR FITNESS FOR A PARTICULAR PURPOSE.

IF ANY MODEL OR SAMPLE WAS SHOWN TO THE CUSTOMER, SUCH MODEL OR SAMPLE WAS USED MERELY TO ILLUSTRATE THE GENERAL TYPE AND QUALITY OF THE PRODUCT AND NOT TO REPRESENT THAT THE PRODUCT WOULD NECESSARILY CONFORM TO THE MODEL OR SAMPLE IN ALL RESPECTS.

THIS WARRANTY IS LIMITED TO THE REPAIR OR REPLACEMENT OF THE DEFECTIVE PARTS. GF SHALL NOT BE LIABLE FOR AND HEREBY DISCLAIMS ANY DIRECT, SPECIAL, INDIRECT, INCIDENTAL, EXEMPLARY OR CONSEQUENTIAL DAMAGES, INCLUDING, BUT NOT LIMITED TO: DAMAGES FOR LOSS OF PROFITS OR INCOME, LOSS OF USE, DOWNTIME, COVER, OR EMPLOYEE OR INDEPENDENT CONTRACTOR WAGES, PAYMENTS AND BENEFITS.

The warranties contained herein contain all the representations and warranties with respect to the subject matter of this document, and supersede all prior negotiations, agreements and understandings with respect thereto. The recipient of this document hereby acknowledges and represents that it has not relied on any representation, assertion, guarantee, warranty, collateral contract or other assurance, except those set out in this document.

For additional information on this product or this warranty, please contact a GF Customer Service Representative.

NOTES:

- 1) Additional terms and conditions may apply.
- 2) Freight claims must be notated on the appropriate shipping documents and must be made with immediacy. International, federal and state regulations govern specific requirements for freight claims. Failure to abide by those regulations may result in a denial of the freight claim. GF will assist you in filing the freight claim.
- 3) Claims for any short shipment must be made within three (3) days of the invoice date.



**Basic
American**[™]
by graham-field

Manufactured by:
GF Health Products, Inc.
One Graham-Field Way
Atlanta GA 30340-3140



1.770.368.4700

Information contained herein is subject to change.
The most current and complete product information can be found on our website.
www.grahamfield.com



© 2018, GF Health Products, Inc. All Rights Reserved.
Basic American Medical Products and Graham-Field are trademarks of GF Health Products, Inc.
GF Health Products, Inc. is an ISO 13485 Certified Company.