

SAVE THESE INSTRUCTIONS FOR FUTURE USE

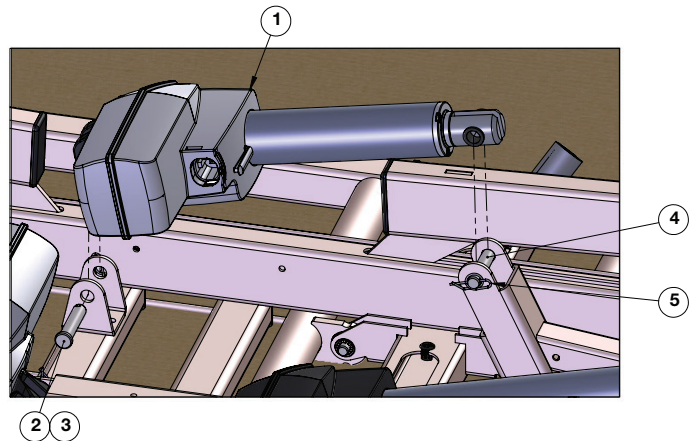
- ⚠ **WARNING: Important! Read and understand these instructions before installing or using the Head Motor. If you do not understand any part of these warnings, cautions or instructions, contact a healthcare professional for direction in the use of this product. If the Head Motor is not properly installed, personal injury and damage to the Head Motor could result.**
- ⚠ **WARNING: If components are damaged or missing, contact your Graham-Field authorized distributor immediately. DO NOT use substitute parts. Use only Basic American Medical Products replacement parts. Non-Basic American Medical Products replacement parts could cause personal injury and damage to the Head Motor**
- ⚠ **WARNING: GF Health Products, Inc. assumes no responsibility for any damage or injury caused by improper installation or use of this product.**

ZENITH HEAD MOTOR INSTALLATION FOR 9200, 7200, & 6200 BED MODELS

NOTE: Please review the Electrical Cabling Diagram in your Service Manual for proper cable routing and plug-in to control box.

STEP 1:

- A. Lubricate the shaft of the 45mm clevis pin (#2) all the way around with lithium grease.
- ▲ **IMPORTANT: Lubricate entire base of clevis pin all the way around with white lithium grease.**
- B. Align the shaft holes in the Head Motor (#1) with the two holes in the mounting bracket on the head deck.
- C. From the inside, insert the lubricated pin through the holes in the bracket, the spacer, and the head motor mounting bracket.
- D. From the top, insert a hair pin clip (#3) into the hole in the end of the clevis pin to secure.



STEP 2:

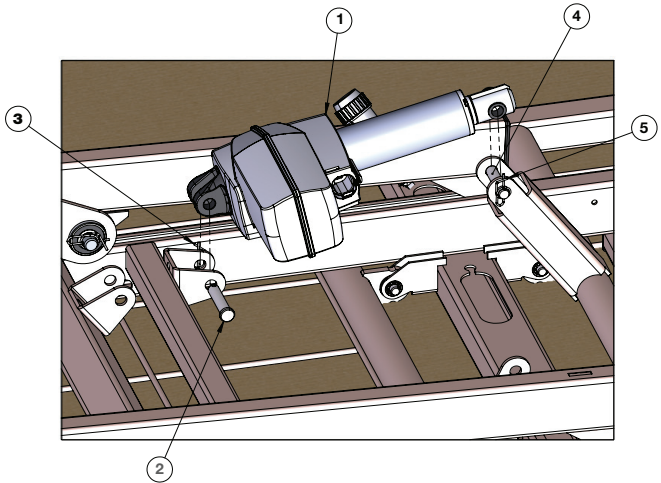
- A. Lubricate the shaft of the 55mm clevis pin (#4) all the way around with lithium grease.
- ▲ **IMPORTANT: Lubricate entire base of clevis pin all the way around with white lithium grease.**
- B. From the outside, insert the lubricated pin through the holes in the bracket and the head motor shaft.
- C. From the inside, insert the rue ring clip (#5) through the small hole in the end of the clevis pin to secure.

ZENITH FOOT MOTOR INSTALLATION FOR 9200, 7200, & 6200 BED MODELS

NOTE: Please review the Electrical Cabling Diagram in your Service Manual for proper cable routing and plug-in to control box.

STEP 1:

- A. Lubricate the shaft of the 45mm clevis pin (#2) all the way around with lithium grease.
▲ IMPORTANT: Lubricate entire base of clevis pin all the way around with white lithium grease.
- B. Align the shaft holes in the Foot Motor (#1) with the two holes in the mounting bracket on the knee deck.
- C. From the inside, insert the lubricated pin through the holes in the bracket and the foot motor shaft.
- D. From the top, insert a hair pin clip (#3) into the hole in the end of the clevis pin to secure.



STEP 2:

- A. Lubricate the shaft of the 55mm clevis pin (#4) all the way around with lithium grease.
▲ IMPORTANT: Lubricate entire base of clevis pin all the way around with white lithium grease.
- B. From the outside, insert the lubricated pin through the holes in the bracket, the spacer, and the foot motor mounting bracket.
- C. From the inside, insert the rue ring clip (#5) through the small hole in the end of the clevis pin to secure.



Manufactured By:
GF Health Products, Inc.
One Graham-Field Way, Atlanta, GA 30340
Made in USA

© 2011, GF Health Products, Inc. All Rights Reserved.
Basic American Medical Products is a trademark
of GF Health Products, Inc.

BA_999-0844-891-LAB-INS-RevC24



+1 770.368.4700

Information contained herein is subject to change without notice.
The most current and complete product information can be found on our website.
www.grahamfield.com

