

SAVE THESE INSTRUCTIONS FOR FUTURE USE

- ⚠ **WARNING: Important! Read and understand these instructions before installing the wheel kit. If the wheel kit is not properly installed, personal injury and damage to the wheel and/or wheelchair could result.**
- ⚠ **WARNING: If components are damaged or missing, contact your GF Health Products, Inc. ("GF") authorized distributor immediately. DO NOT use substitute parts. Use only Everest & Jennings ("E&J") replacement parts. Non-E&J replacement parts could cause personal injury and cause damage to the wheel or wheelchair.**
- ⚠ **WARNING: GF Health Products, Inc. assumes no responsibility for any damage or injury caused by improper assembly, installation or use of this product.**

INTENDED USE

This product is intended as wheel replacement *only*.

- ⚠ **WARNING: Make note of the placement of the wheel on the wheelchair frame, some frames have multiple threaded height positions. Always replace wheel kits in the same location to ensure proper fit of wheel locks and that wheelchair arms do not come in contact with the wheels.**

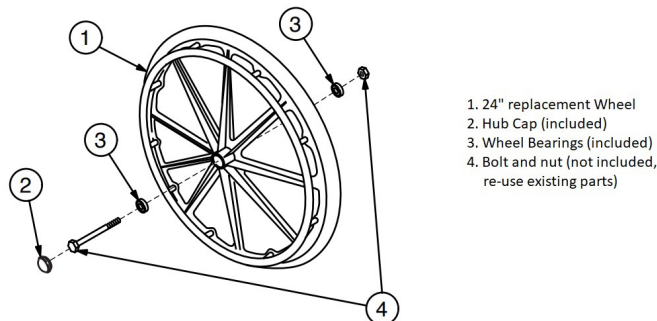
INSTALLATION**REMOVAL OF OLD WHEEL (SEE PICTURES 1-2 BELOW)**

Fold wheelchair to reduce the movement/play. Lay the wheelchair on the opposite side of the wheel to be replaced, ensure wheel lock is engaged on the wheel on bottom side to ensure chair doesn't move or rotate. Remove cap cover on wheel center top to expose the bolt. Using a 3/4" socket and/or wrenches on both the bolt and the nut on inside of wheelchair frame, loosen and then remove the nut from the bolt threads. Once the nut has been removed, slowly pull the bolt out from the frame of the chair. Keep the bolt and nut, you will re-use them for the new wheel assembly.

**Picture 1****Picture 2**

INSTALLATION OF NEW WHEEL (SEE PICTURE 3 BELOW)

Refer to picture 3 to ensure proper placement of the bolt, wheel and nut. Once the wheel kit has been assembled, slowly lower the bolt through the hole in the side frame of the wheelchair. When the bolt has been pushed through the frame, screw the nut onto the threaded part of the bolt on the inside of the frame. Using a 3/4" socket and/or wrench on both the bolt head and nut, tighten them as much as possible while still allowing the wheel to rotate. Ensure the wheel rotates and doesn't have any pull or gap/wobble before placing it back upright on all 4 wheels. Place the cap cover back on the wheel and tap slightly with a rubber mallet to secure it to the wheel.



Picture 3

⚠ WARNING: Always check both wheels before sitting in the chair to ensure both the bolt and nut are completely tight, no gaps or wobble should be present and the wheels should rotate easily without pulling or rubbing.

⚠ WARNING: Check the wheel locks before operating the wheelchair under normal use to ensure proper alignment and ability to hold the wheelchair in place.

WARRANTY

SCOPE OF WARRANTY

GF Health Products, Inc. ("GF") warrants to the original purchaser only that it will replace or repair components, at GF's sole discretion, that are defective in material or workmanship under normal use and service. All warranties are conditioned upon the proper use of the products strictly in accordance with good commercial practice and applicable GF instructions and manuals, including proper use and maintenance. To the extent that a third party warrants a component, GF conveys all of its rights under that warranty to the original purchaser, to the extent permitted.

This limited warranty shall only apply to defects that are reported in accordance with the provisions set forth in this warranty document, within the applicable warranty period and which, upon examination by GF or its authorized representative, prove to be a warranty item. (See Obtaining Warranty Service below) This limited warranty is not transferable.

The warranted components and time periods are set forth below:

Wheel Kit:.....three (3) months

Labor is not included in the warranty.

The warranty period is as designated above. If a part is replaced under warranty, the original warranty period will not be affected. All other replacement parts will be subject to the warranty period specified. The applicable warranty period shall commence from date of shipment to the original customer, unless there is an expiration date on the component in which case the warranty shall expire on the earlier of warranty period or the expiration date.

*Please see USER MANUAL for detailed Warranty Information or contact your GF representative at 1-770-368-4700.

Everest & Jennings®
by graham-field

Manufactured For:

GF Health Products, Inc.
One Graham-Field Way, Atlanta, GA 30340
Made In China

© 2024, GF Health Products, Inc. All Rights Reserved.
Everest & Jennings is a registered trademark of
GF Health Products, Inc.

EJ_GF2400052_ADV-INS-LAB-RevA24



+1 770.368.4700

Information contained herein is subject to change without notice.
The most current and complete product information can be found on our website.
www.grahamfield.com

graham
field