

SAFETY GUIDELINES - PLEASE READ BEFORE USE

- ⚠ WARNING: Important: Read and understand these instructions before assembling or using the Instrument Stand. Ensure that the Instrument Stand is assembled as described in the following paragraphs before use. If the Instrument Stand is not properly installed, personal injury and property damage could result.**
- ⚠ WARNING: If components are damaged or missing, contact your GF authorized distributor immediately. DO NOT use substitute parts.**
- ⚠ WARNING: GF Health Products, Inc. assumes no responsibility for any damage or injury caused by improper assembly or use of this product.**

INTENDED USE

The Mayo Instrument Stand, shown at right, is intended as a place for sterile instruments and supplies during surgery and other medical procedures. Two casters provide mobility, and height adjustment accommodates versatile operator and patient positioning.

Suitable for hospitals, surgery centers, clinics, home health care providers, physicians, and general utility applications.

WEIGHT CAPACITY

Maximum weight capacity 25 lb (11.33 kg)
EVENLY DISTRIBUTED for stainless steel
tray (12.5" x 19").

UNPACKING

1. Check for obvious damage to the carton or its contents. If damage is evident, please notify the carrier and your GF authorized distributor.
2. Remove all loose packing from the box. Carefully remove all the components from the carton.



GF1843 Mayo Instrument Stand

ASSEMBLY

Tools required (provided): Wrench, Hex Key

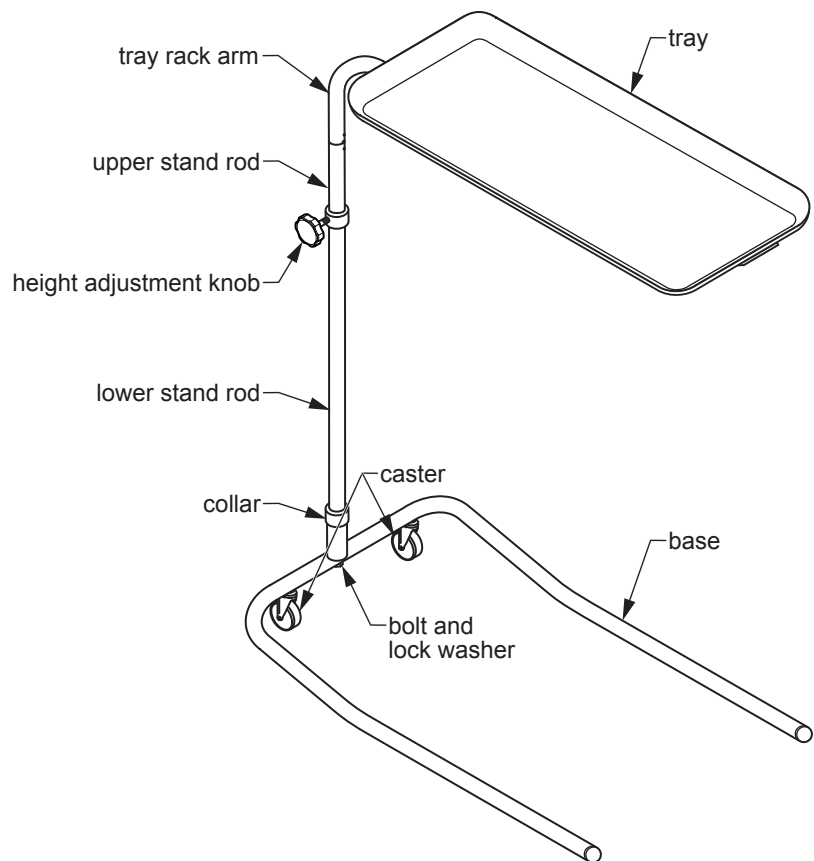
Refer to illustrations at right.

Base assembly

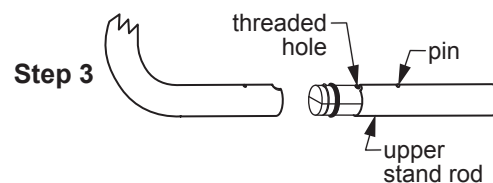
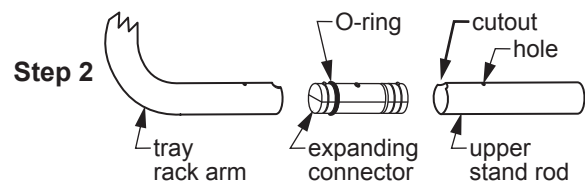
1. Use the wrench to remove the bolt and lock washer from the lower stand rod.
2. Insert the lower stand rod into the base collar as shown at right.
3. To secure the lower stand rod to the base, install the lock washer and bolt up through the bottom of the base as shown at right. Use the provided wrench to tighten the bolt until secure.

Upper assembly

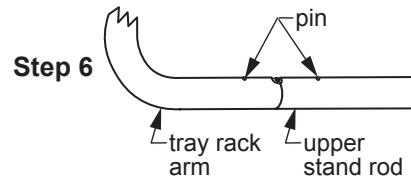
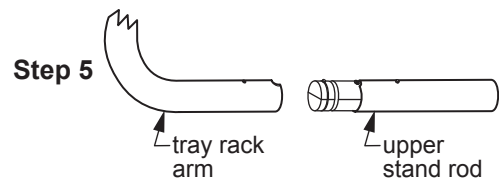
1. Remove the plastic cap from the end of the tray rack arm.
2. Position the expanding connector on a flat surface with the O-ring oriented toward the tray rack arm as shown at right. Slide the expanding connector into the upper stand rod. Align the expanding connector threaded hole with the upper stand rod cutout, and the expanding connector pin in upper stand rod hole, as shown at lower right.
3. Insert the hex key into the expanding connector's threaded hole and turn it clockwise to expand the connector, creating a snug fit inside the upper stand rod.
4. Remove the O-ring from the expanding connector; if necessary, use the hex key to pry it off carefully.



GF1843 Mayo Instrument Stand



5. Insert the hex key into the expanding connector's threaded hole and turn it counter-clockwise *a little bit at a time* until the tray rack arm barely fits over the expanding connector.
6. Slide the tray rack arm over the expanding connector. Align the expanding connector threaded hole with the tray rack arm cutout, and the expanding connector pin in the tray rack arm hole, as shown at right.



7. Once aligned as described, insert the hex key into the expanding connector's threaded hole and turn it clockwise until the assembly is snug and both pins are protruding from their holes.
8. Position the base upright.
9. Install the assembled tray rack in the lower stand rod.
10. Install the height adjustment knob in the threaded hole at the top of the lower stand rod (as shown in picture at top of previous page).
11. Place the tray on the tray rack arm. Adjust tray to ensure it is completely seated and balanced on rack.

⚠ WARNING: Ensure that Instrument Stand is securely assembled as instructed above before use.

OPERATION

Height adjustment

To adjust height: Turn height adjustment knob counter-clockwise, raise or lower tray to desired height, then turn height adjustment knob clockwise to secure. Instrument Stand height is adjustable between 31 and 50 inches (79 and 127 cm).

MAINTENANCE

⚠ WARNING: Check Instrument Stand frequently during use to ensure that all components are securely assembled and that height adjustment knob is securely tightened.

Cleaning

▲ NOTICE: Do not use cleansers that may damage the Instrument Stand's finish.

1. To clean: wipe the Instrument Stand as needed with a clean, soft, damp paper or cloth.
2. To wash more thoroughly: clean the Instrument Stand as needed with mild soap and water.
3. To disinfect: wipe the Instrument Stand as needed with a clean, soft paper or cloth dampened with a general purpose, noncorrosive cleaner and rinse with clear water.
4. Dry the Instrument Stand with a soft, clean paper, or cloth.

LIMITED WARRANTY

SCOPE OF WARRANTY

GF Health Products, Inc. ("GF") warrants to the original purchaser only that it will replace or repair components, at GF's sole discretion, that are defective in material or workmanship under normal use and service. All warranties are conditioned upon the proper use of the products strictly in accordance with good commercial practice and applicable GF instructions and manuals, including proper use and maintenance. To the extent that a third party warrants a component, GF conveys all of its rights under that warranty to the original purchaser, to the extent permitted.

This limited warranty shall only apply to defects that are reported in accordance with the provisions set forth in this warranty document, within the applicable warranty period and which, upon examination by GF or its authorized representative, prove to be a warranty item. (See Obtaining Warranty Service below) This limited warranty is not transferable.

The warranted components and time periods are set forth below:

Table: 1 (one) year

* Labor is not included in the warranty.

† Upholstery is only warranted on material supplied by GF.

‡ The warranty period is as designated above. If a part is replaced under warranty, the original warranty period will not be affected. All other replacement parts will be subject to the warranty period specified.

The applicable warranty period shall commence from date of shipment to the original customer, unless there is an expiration date on the component in which case the warranty shall expire on the earlier of warranty period or the expiration date.

OBTAINING WARRANTY SERVICE

Customers located in the United States who wish to report a warranty issue, must contact GF directly by calling 1.770.368.4700 or by e-mailing a request to cs@grahamfield.com. Customers located outside the United States must contact the Distributor from whom they purchased the products. In both cases, further directions will be provided once the initial contact is made. This limited warranty shall only apply to defects that are reported within the applicable warranty period. Failure to abide by the specific directions will result in denial of the warranty claim.

The warranty does not cover and GF shall not be liable for the following:

- 1) Defects, damage, or other conditions caused, in whole or in part, by misuse, abuse, negligence, alteration, accident, freight damage, tampering or failure to seek and obtain repair or replacement in a timely manner;
- 2) Products which are not installed, used, or properly cleaned and maintained as required in the official manual for the applicable product;
- 3) Products considered to be of a non-durable nature including, but not limited to: filters, fuses, gaskets, lubricants, and charts;
- 4) Accessories or parts not provided by GF;
- 5) Matching of color, grain or texture except to commercially acceptable standards;
- 6) Changes in color caused by natural or artificial light;
- 7) Charges by anyone for adjustments, repairs, replacement parts, installation or other work performed upon or in connection with such products which are not expressly authorized in writing, in advance, by GF;
- 8) Any labor or shipping charges incurred in the replacement part installation or repair;
- 9) Costs and expenses of regular maintenance and cleaning; and
- 10) Representations and warranties made by any person or entity other than GF.

ENTIRE WARRANTY, EXCLUSIVE REMEDY AND CONSEQUENTIAL DAMAGES DISCLAIMER

THIS WARRANTY IS GF'S ONLY WARRANTY AND IS IN LIEU OF ALL OTHER WARRANTIES, EXPRESS OR IMPLIED. GF MAKES NO IMPLIED WARRANTIES OF ANY KIND INCLUDING ANY IMPLIED WARRANTIES OF MERCHANTABILITY OR FITNESS FOR A PARTICULAR PURPOSE. IF ANY MODEL OR SAMPLE WAS SHOWN TO THE CUSTOMER, SUCH MODEL OR SAMPLE WAS USED MERELY TO ILLUSTRATE THE GENERAL TYPE AND QUALITY OF THE PRODUCT AND NOT TO REPRESENT THAT THE PRODUCT WOULD NECESSARILY CONFORM TO THE MODEL OR SAMPLE IN ALL RESPECTS. THIS WARRANTY IS LIMITED TO THE REPAIR OR REPLACEMENT OF THE DEFECTIVE PARTS. GF SHALL NOT BE LIABLE FOR AND HEREBY DISCLAIMS ANY DIRECT, SPECIAL, INDIRECT, INCIDENTAL, EXEMPLARY OR CONSEQUENTIAL DAMAGES, INCLUDING, BUT NOT LIMITED TO: DAMAGES FOR LOSS OF PROFITS OR INCOME, LOSS OF USE, DOWNTIME, COVER, OR EMPLOYEE OR INDEPENDENT CONTRACTOR WAGES, PAYMENTS AND BENEFITS. CERTAIN STATES MAY CONFER ADDITIONAL RIGHTS REGARDING WARRANTIES AND IN THOSE STATES GF'S LIABILITY AND THE LIABILITY OF GF'S SUPPLIERS, SHALL BE LIMITED TO THE FULLEST EXTENT PERMITTED BY LAW.

The warranties contained herein, together with GF's current Terms and Conditions, contain all the representations and warranties with respect to the subject matter of this document, and supersede all prior negotiations, agreements and understandings with respect thereto. The recipient of this document hereby acknowledges and represents that it has not relied on any representation, assertion, guarantee, warranty, collateral contract or other assurance, except those set out in this document.

For additional information on this product or this warranty, please contact a GF Customer Service Representative.

NOTES:

- 1) Additional terms and conditions may apply. See GF's General Terms and Conditions on its website: www.grahamfield.com.
- 2) Freight claims must be notated on the appropriate shipping documents and must be made with immediacy. International, federal and state regulations govern specific requirements for freight claims. Failure to abide by those regulations may result in a denial of the freight claim. GF will assist you in filing the freight claim.
- 3) Claims for any short shipment must be made within three (3) days of the invoice date.

Manufactured For:
GF Health Products, Inc.
One Graham-Field Way, Atlanta, GA 30340

Made In China

© 2008, GF Health Products, Inc. All Rights Reserved.
Graham-Field is a registered trademark of GF Health Products, Inc.

GF1843-INS-LAB-RevD23



+1 770.368.4700

Information contained herein is subject to change without notice.
The most current and complete product information can be found on our website.

www.grahamfield.com

graham
field