

PURE TILT TILT-IN-SPACE REPLACEMENT PARTS CATALOG

SAVE THIS CATALOG FOR FUTURE USE.

CONTENTS

FOR THE SEAT	3
FOR THE HEAD BACK AND LEG CUSHIONS	4
FOR THE ARM	5
FOR THE FOOTPLATE.....	6
FOR THE FRONT CASTER.....	6
FOR THE ANTI-TIPPERS	7
FOR MISCELLANEOUS PARTS	7

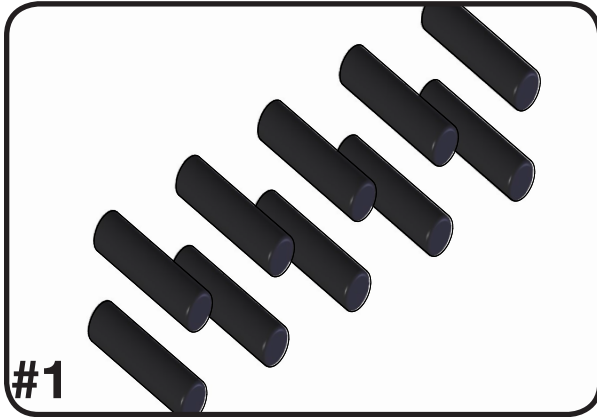
TO ORDER

Tel: 1.770.368.4700 • Fax: 1.770.368.2386

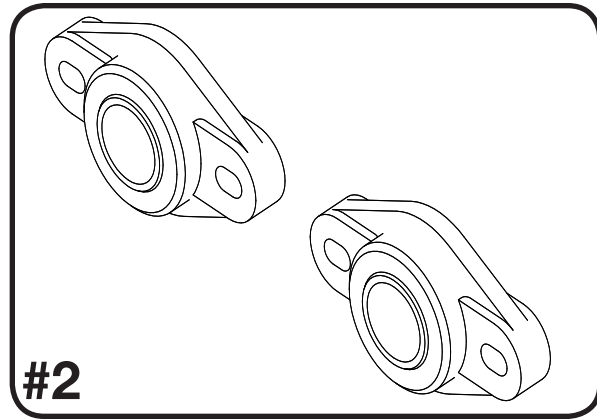
Returns: Parts may not be returned without prior authorization from GF Health Products, Inc. Custom parts cannot be returned for credit. Please refer to GF Health Products, Inc. [Terms and Conditions](#) for further information.



PURE TILT REPLACEMENT PARTS



- 1. Grip, black (10 each)PT3000-HG
- 2. Bolt Flange BearingPT3000-B2BF



SEAT



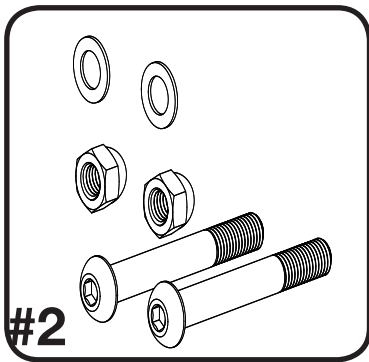
- 1. Gas Spring-Seat.....PT3000-GSAS
- 2. Seat Pad.....PT3000-SEAT



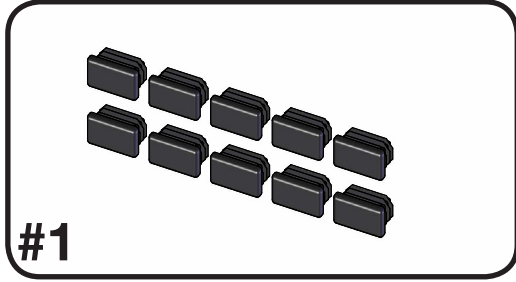
HEAD, BACK, AND LEG CUSHIONS



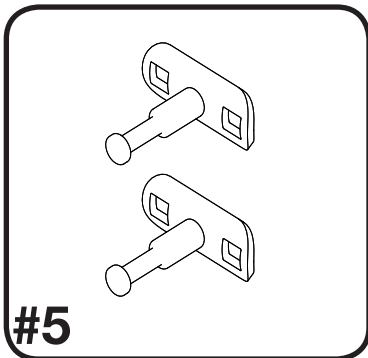
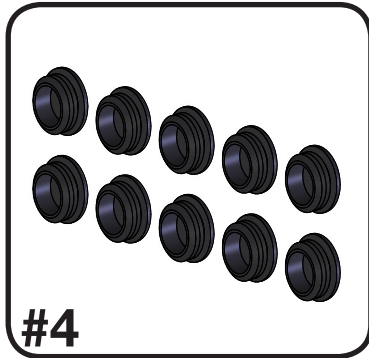
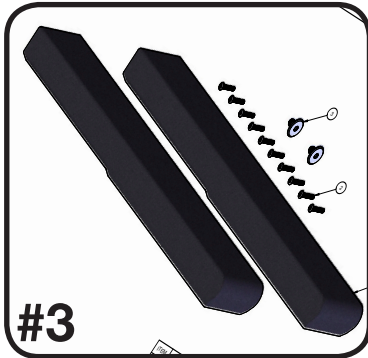
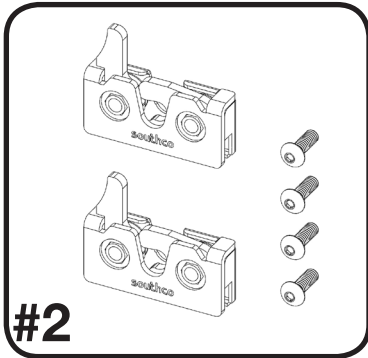
- 1. Back Rest Pad.....PT3000-BACK
- 2. Back Assembly Hardware.....PT3000-BAHW
- 3. Head Rest Pad.....PT3000-HEAD
- 4. Leg Rest Pad (Pair).....PT3000-LEGR



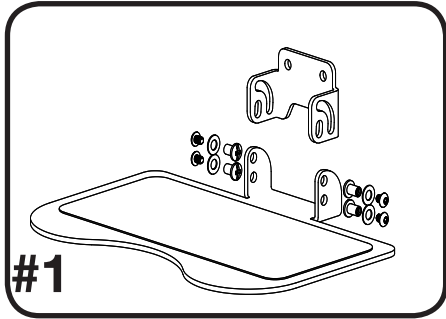
ARM



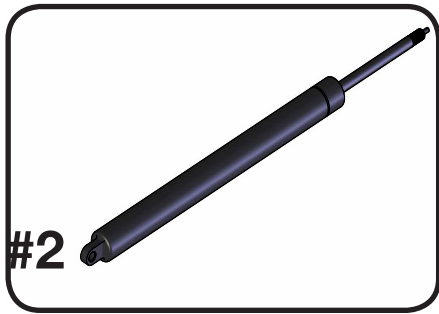
- 1. Arm End Cap (10 EA).....PT3000-AEC
- 2. Arm Latch Kit.....PT3000-ARMHW-KIT
- 3. Arm Pad with Hardware Kit.....PT3000-ARP
- 4. End Cap (10 EA)..... PT3000-EC
- 5. Latch PinPT3000-SAHW-KIT



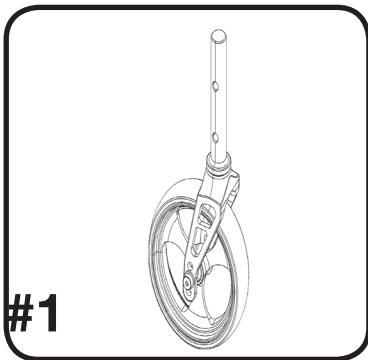
FOOTPLATE



- 1. Footplate with Hardware.....PT3000-FTPLATE-KIT
- 2. Gas Spring for Leg.....PT3000-GSAL

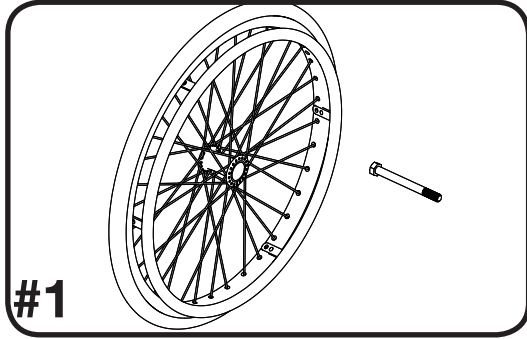


FRONT CASTER

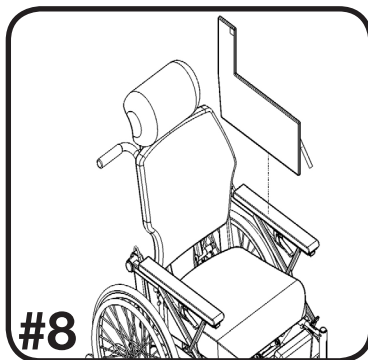
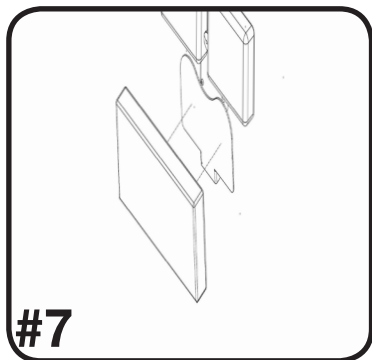
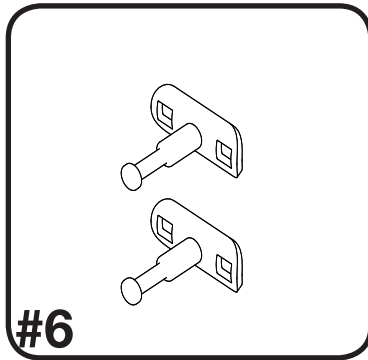
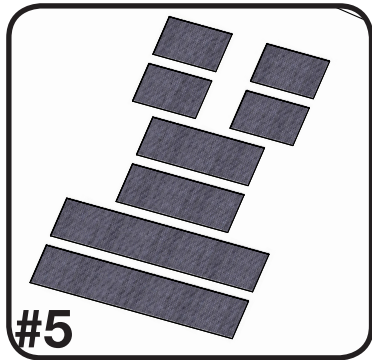
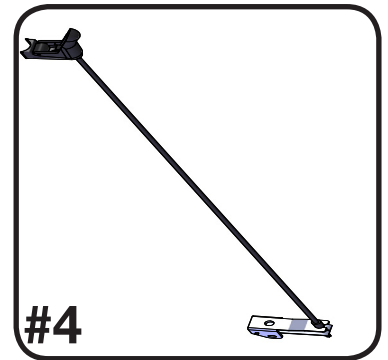
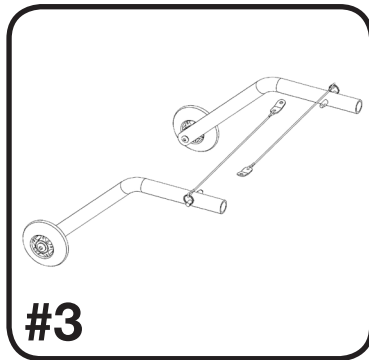
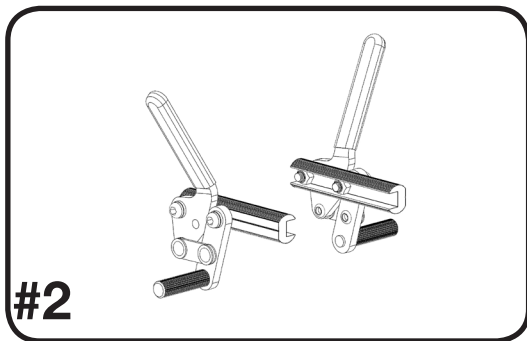


- 1. Front Caster PT3000-FC

ANTI-TIPPERS & MISCELLANEOUS



1. 22" Rear Wheel with Hardware.....PT3000-RW-KIT
2. Wheel Lock.....PT3000-WL
3. Anti-Tippers (PAIR)..... PT3000-AT
4. Cable Release Lever PT3000-RL
5. Hook & Loop Replacement Fastener.....PT3000-H&LSTRIP
6. Latch PinPT3000-SAHW-KIT
7. Foot Pad.....PT3000-FP
8. Side Pads (Pair)PT3000-SP



Everest & Jennings[®]

by graham-field

Manufactured By:
GF Health Products, Inc.
One Graham-Field Way, Atlanta, GA 30340

© 2022, GF Health Products, Inc. All Rights Reserved.
Everest & Jennings is a registered trademark of GF Health Products, Inc.



+1 770.368.4700

Information contained herein is subject to change without notice.
The most current and complete product information can be found on our website.

www.grahamfield.com

