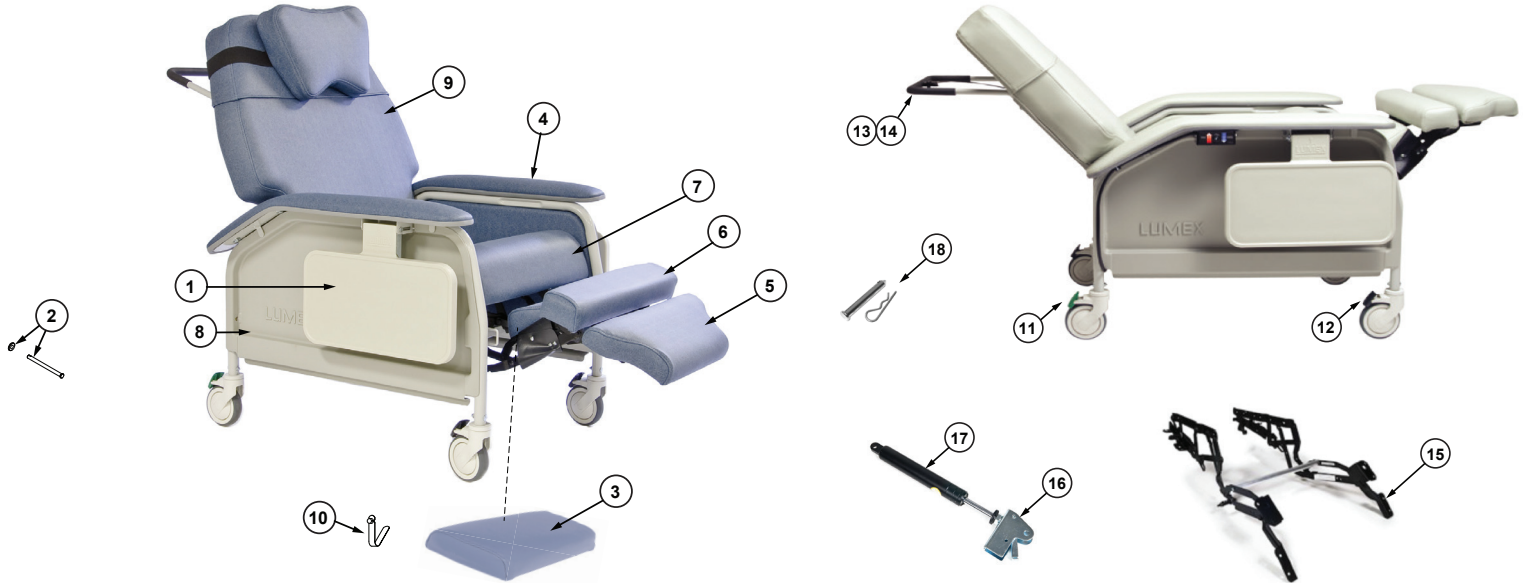
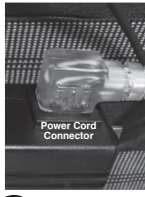


REPLACEMENT PARTS

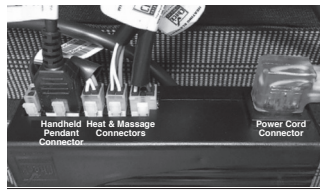
FR587W DELUXE CLINICAL CARE WITH DROP ARMS



19



20



21

Heat and Massage Feature – Control Module and Transformer Unit Showing All Connections Correctly Made



22



23

Item #	UOM	Description
5792A001G	1 ea	Table, Side
5792A002	4 ea /set	Hardware, Clevis Pin w Washer, Side Table
58737J(color code)FR	1 ea	Ottoman, Upholstered
58735J(color code)FR	1 ea	Armrest, Upholstered
58733J(color code)FR	1 ea	Footrest, Upholstered
58734J(color code)FR	1 ea	Legrest, Upholstered
58731J(color code)FR	1 ea	Seat, Upholstered
58731JH(color code)FR	1 ea	Seat, Upholstered, Heat & Massage
58731JHO(color code)FR	1 ea	Seat, Upholstered, Heat Only
56605J(color code)FR	1 ea	Side Panels, Upholstered (not shown)
58732J(color code)FR	1 ea	Back, Upholstered
58732JH(color code)FR	1 ea	Back, Upholstered, Heat & Massage
58732JHO(color code)FR	1 ea	Back, Upholstered, Heat Only
AP020004-8	8 ea / set	Hardware, Push Pin and Spring, Side Panels
CSTRTRGRN01	1 ea	Caster, Directional Green Tab Tente

Item #	UOM	Description
CSTRBLK01	1 ea	Caster, Swivel, Locking Black Tab Tente
5873C400AG	1 ea	Push Handle w Grip
9205	1 ea	Grip Only, Push Handle
5610F200	1 ea	Mechanism, Recliner
5770A073	1 ea	Hardware, Gas Spring Bracket
EI000001	1 ea	Hardware, Gas Spring
5792A003	10 ea /set	Hardware, Clevis Pin w Cotter Clip
LRHM0114	1 ea	Pendant Holster, Heat & Massage
HM00G3CORD	1 ea	Powercord Supply, Heat & Massage Gen 3
ECMCGF2	1 ea	Control Box, Heat & Massage Gen 3
HM00G3PEND	1 ea	Pendant, Heat & Massage Gen 3
HM00G3PENDHO	1 ea	Pendant, Heat Only Gen 3
5873A073	1 ea	Hardware, Lower Bracket (not shown)
5772A001	1 ea	Hardware, Cable Assemble (not shown)
LRMP0001	1 ea	Paint, Touch-Up, Gray (not shown)



GF Health Products, Inc. is an ISO 13485:2016 / MDSAP Certified Company

Color variations may occur due to monitor or printer settings.

+1 770.368.4700

Information contained herein is subject to change without notice. The most current and complete product information can be found on our website.

www.grahamfield.com



© 2009, GF Health Products, Inc. All Rights Reserved. Lumex is a trademark of GF Health Products, Inc. GF Health Products, Inc. is an ISO 13485 Certified Company.