

5657G Foot Drop Accessory

To be used as an accessory on recliner models:
565G, 565PG, 565DG and 565TG

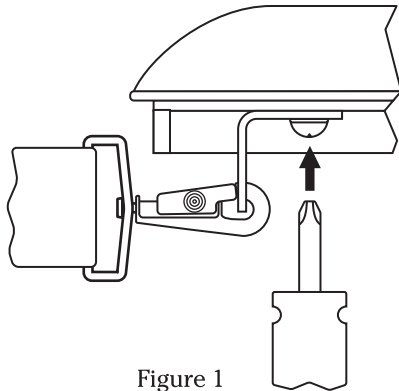
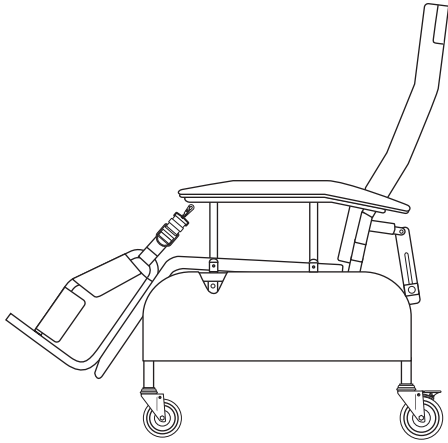


Figure 1

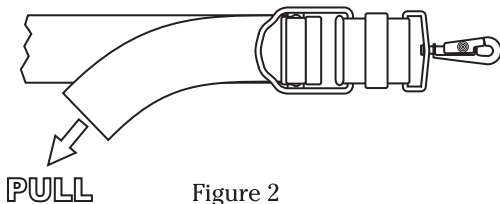


Figure 2

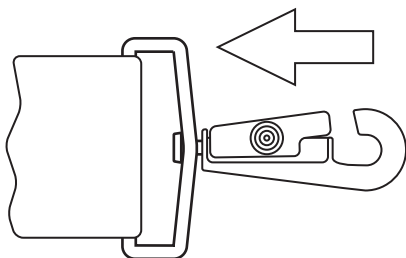


Figure 3

Contents:

- Two (2) Angle Brackets
- One (1) Foot Drop Assembly

Tools Required:

- Phillips Screwdriver

Installation:

1. Remove front screw from bottom of each recliner arm. Attach angle brackets with holes facing forward as shown in Figure 1. Replace screws to hold brackets in place.
2. Place leg rest in upright position and slide foot drop under patients feet.
3. Fasten slide hooks to angle brackets as shown in Figure 1.

Operation Instructions:

1. To adjust bolster, pull evenly on straps to fit to patients feet as shown in Figure 2.
2. To loosen, lift tabs on buckles.
3. To store extra strap length, place into keeper.
4. Always readjust foot drop after changing position.

Note: On Tilt-In-Space™ model chairs, it may be necessary to lift bolster as you press the footpedal to bring legrest into upright position. Do not use excessive force on footpedal.

⚠ WARNING: Do not stand upon the Lumex 5657G Foot Drop device. Misuse of this device may result in damage and/or injury.



Graham-Field Health Products

2935 Northeast Parkway, Atlanta, Georgia 30360

telephone: 800-347-5678, 770-447-1609

fax: 800-726-0601, 678-291-3232

<http://www.grahamfield.com>