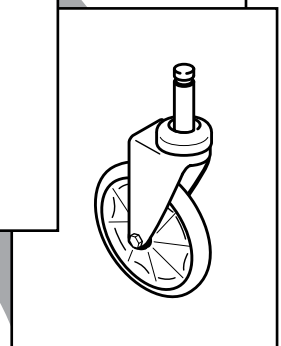
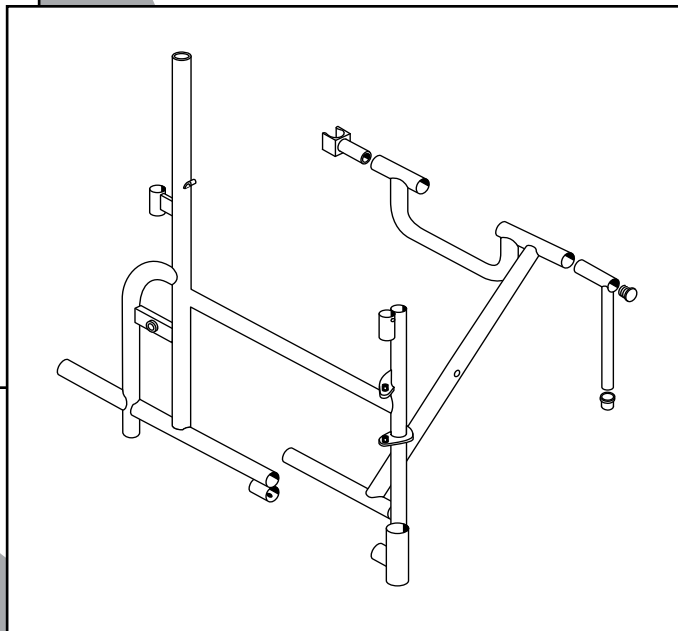
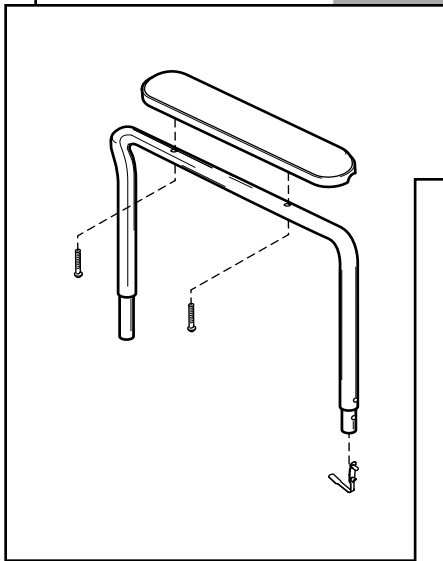


REHAB SHOWER COMMODE PARTS CATALOG

*Note: These replacement parts are appropriate for those
Rehab Shower Commodes whose serial number begins with "JM".*



CONTENTS

SIDEFAME AND CROSSBRACE	3
SEAT	4
PAIL AND LID, PAN HOLDER.....	4
BACK UPHOLSTERY.....	5
ARM	5
FOOTREST	6
FRONT CASTER	6
REAR WHEEL	7
WHEEL LOCK	7

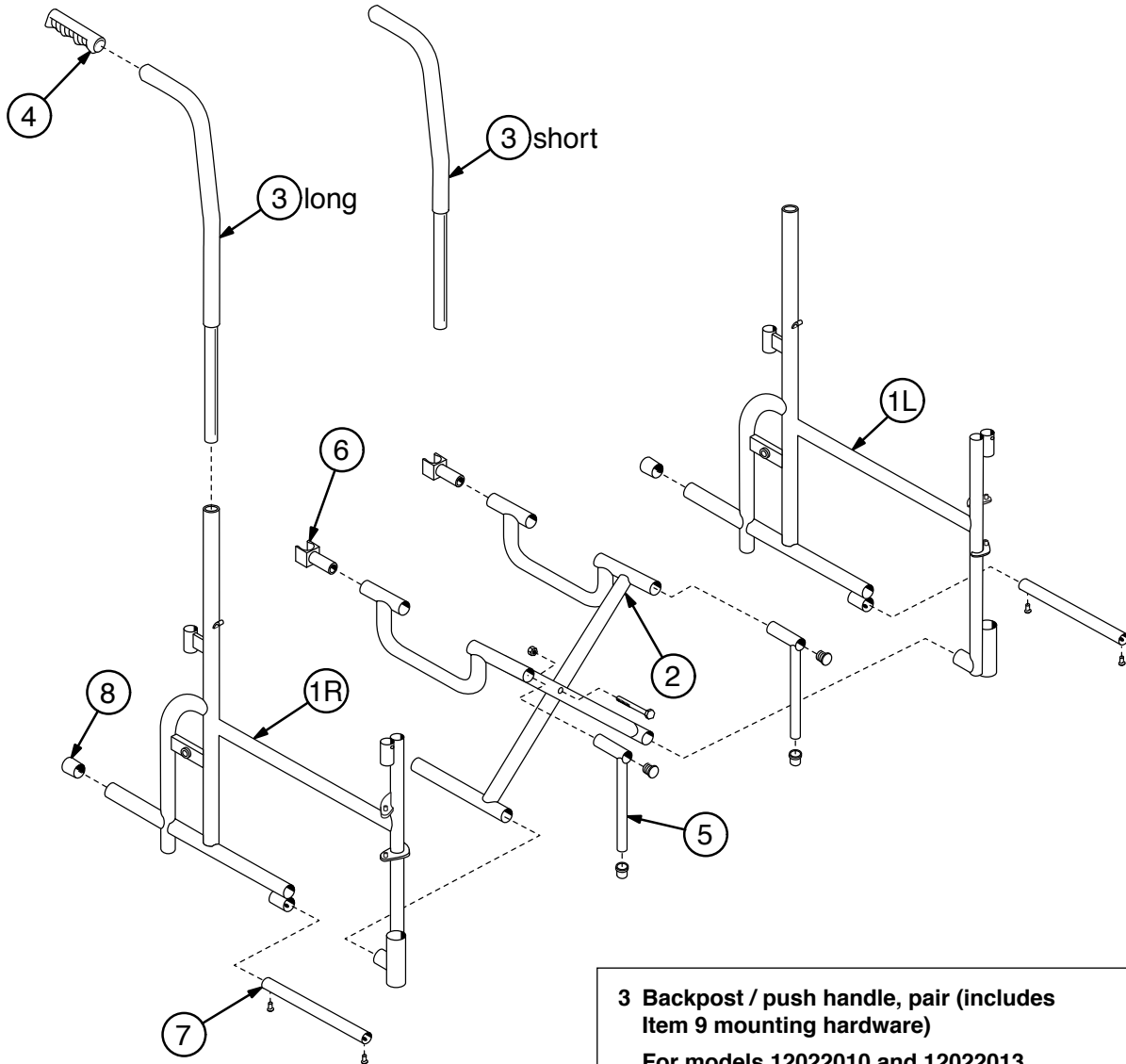
TO ORDER

Tel: 1.770.368.4700 • Fax: 1.770.368.2386

Returns: Parts may not be returned without prior authorization from GF Health Products, Inc. Custom parts cannot be returned for credit. Please refer to GF Health Products, Inc. [Terms and Conditions](#) for further information.

Note: These replacement parts are appropriate for those Rehab Shower Commodes whose serial number begins with "JM".

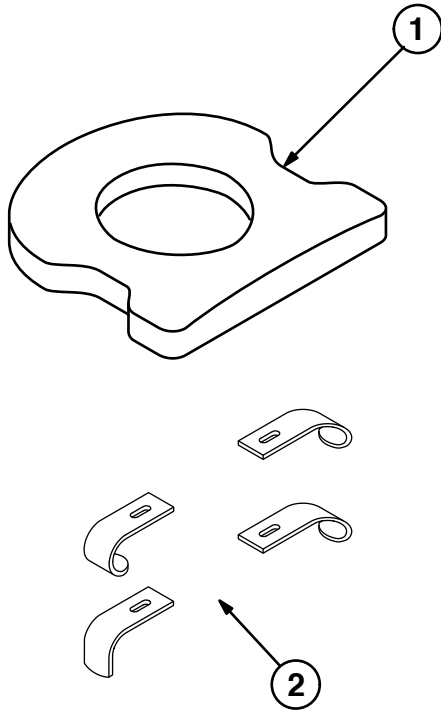
SIDEFRADE AND CROSSBRACE



1 Sideframe, each	
For models 12022010 and 12022110 with 14 1/2" and 17 1/2" back height	
Right	90835201J
Left	90835202J
For models 12023010 and 12023110 with 16" and 19" back height	
Right	90835203J
Left	90835204J
2 Crossbrace, pair (includes center bolt and nut)	
For models 12022010 and 12022110 with 14 1/2" and 17 1/2" back height	
.....	9P835211J
For models 12023010 and 12023110 with 16" and 19" back height	
.....	9P835212J

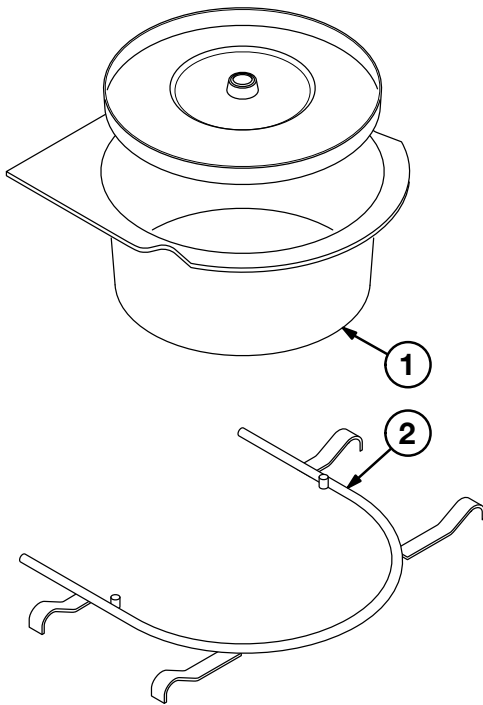
3 Backpost / push handle, pair (includes Item 9 mounting hardware)	
For models 12022010 and 12022013 with 14 1/2" back height.....	
	9P835228J
For model 12022110 with 17 1/2" back height.....	
	9P835230J
For model 12023010 with 16" back height	
	9P835232J
For model 12023110 with 19" back height	
	9P835233J
4 Grip, black (10 each)	90763005
5 Front slide post kit (includes 1 each front slide post, seat rail plug and bushing) 90H35218J
6 Seat rail guide (10 each)	90763015
7 Bottom inner rail, pair (includes 2 each bottom inner rail and 4 each rivets)...	9P835209J
8 Tipping sleeve (10 each).....	90763006

SEAT



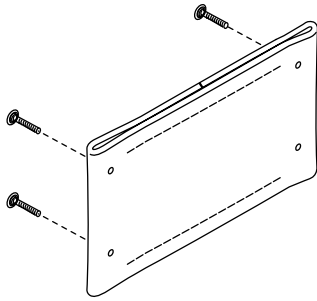
- | | | |
|----------|--|-----------------|
| 1 | Padded seat, oval cutout (includes hooks) | |
| | For models 12022010 and 12022110 | |
| | with 14 1/2" and 17 1/2" back height | 90835070J |
| | For models 12023010 and 12023110 | |
| | with 16" and 19" back height | 90835071J |
| 2 | Hook, seat (set of 4) | |
| | includes mounting hardware | 90H35081J |

PAIL AND LID, PAN HOLDER



- | | | |
|----------|--------------------------------------|-----------------|
| 1 | Commode pail and lid | 90H43170J |
| 2 | Pan holder | |
| | For models 12022010 and 12022110 | |
| | with 14 1/2" and 17 1/2" back height | 90835115J |
| | For models 12023010 and 12023110 | |
| | with 16" and 19" back height | 90835116J |

BACK UPHOLSTERY

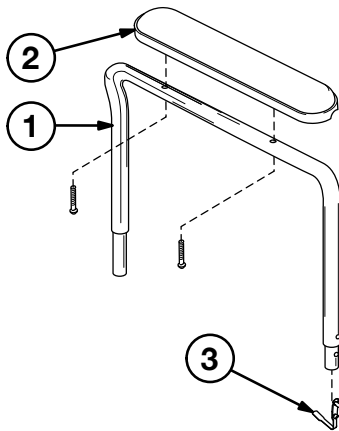


Back upholstery kit
 includes back upholstery and mounting hardware

For models 12022010 and 12022110
 with 14 1/2" and 17 1/2" back height
 90H35060J

For models 12023010 and 12023110
 with 16" and 19" back height
 90H35061J

ARM



1 Arm kit
 includes right and left full-length
 arm with spring lock; does not
 include arm pad

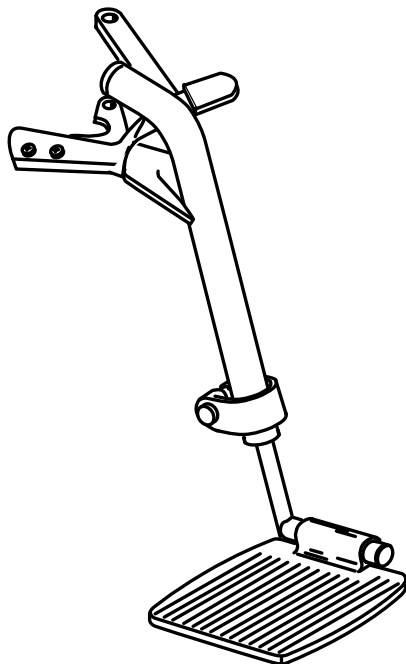
For models 12022010 and 12022110
 with 14 1/2" and 17 1/2" back height
 9P835215J

For models 12023010 and 12023110
 with 16" and 19" back height
 9P835216J

2 Arm pad kit
 includes 2 black plastic full-length
 arm pads and mounting screws 9P190E01J

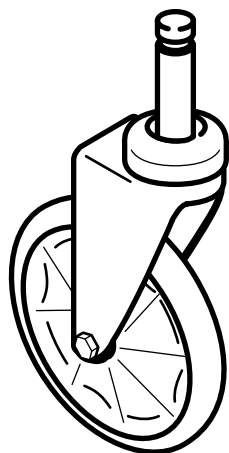
3 Spring lock (10 each) 9B232870J

FOOTREST



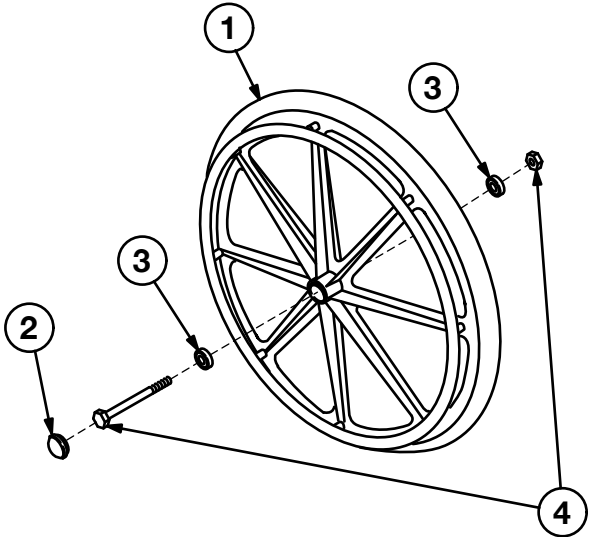
Footrest kit, pair (left shown)
includes right and left hanger,
release, and footplate with
extension..... 90761752J

FRONT CASTER



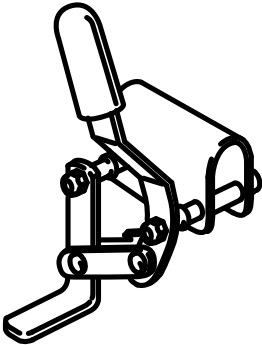
Caster, 5" x 1 1/4" tire, pair
includes wheel, fork, bearings, axle,
and axle nut..... 9P835330J

REAR WHEEL



1 24" Rear wheel, each, 1" tire includes hub cap and bearings; does not include axle or nut.....	90-011B1J
2 Hub cap (10 each).....	9B045035J
3 Wheel bearing (10 each).....	9B007700J
4 Rear axle and nut (10 each).....	9B-47320J

WHEEL LOCK



Wheel lock, pair, push-to-lock includes rubber tip	9P123011J
Rubber tip, wheel lock (10 each).....	90763063



1.770.368.4700

Information contained herein is subject to change.
The most current and complete product information can be found on our website.
www.grahamfield.com

Follow us on   

© 2020, GF Health Products, Inc. All Rights Reserved.
Everest & Jennings is a trademark of GF Health Products, Inc.,
One Graham-Field Way, Atlanta GA 30340-3140

GF Health Products, Inc. is an ISO 13485:2016 / MDSAP Certified Company.