


- ⚠ WARNING: Important! Read and understand these instructions before assembling or using the GF6570A-1 Universal Side Rails. If you do not understand any part of these warnings, cautions or instructions, contact a healthcare professional for direction in the use of this product. If the GF6570A-1 Universal Side Rails are not properly assembled and adjusted, personal injury and damage to the Universal Side Rails could result.**

Read and understand the following bed rail decal before use:

 <p>WARNING/ SAFETY ALERT</p>	<p>BEWARE OF SIDE-RAIL ENTRAPMENT Patient Entrapment with bed side rails may result in serious injury or death. ALWAYS evaluate patients for and guard against bed rail entrapment in accordance with medical protocols. Monitor patient frequently. Mattress MUST fit bed frame and side rails snugly to prevent entrapment. There may be an increased risk of entrapment when bed rails are used in conjunction with low air loss products. Follow the Safety Warnings and Operating Instructions in the Service/User's manual. Contact your dealer or www.grahamfield.com.</p> <p><small>GF000109RevE12</small></p>
---	--

For information on Bed Rail safety, see the FDA's brochure concerning Bed Safety and Bed Rails on the FDA website, at:

www.fda.gov/MedicalDevices/ProductsandMedicalProcedures/GeneralHospitalDevicesandSupplies/HospitalBeds/

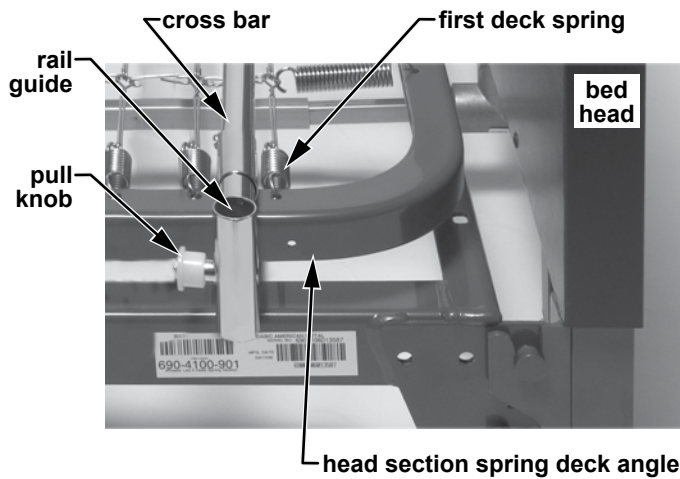
- ⚠ WARNING: The GF6570A-1 Universal Side Rails are designed for use in the homecare setting; they are not intended for institutional use.**
- ⚠ WARNING: Patient entrapment with bed side rails may result in serious injury or death. Use only with coherent patients capable of avoiding entrapment. Patients at risk of entrapment include those who have problems with memory, sleeping, incontinence, pain, uncontrolled body movement or who get out of bed and walk unsafely without assistance. For at-risk patients, use only with proper bed side rail protective barriers. There is also an increased risk of entrapment when bed rails are used in conjunction with a low air loss product.**
- ⚠ WARNING: The Universal Side Rails are intended to define the edge of the sleep surface and to help prevent an individual from inadvertently rolling or climbing out of bed. DO NOT use the side rails as a restraint.**
- ⚠ WARNING: Although it has no specific weight limitation, the Homecare Clamp-On Half Rail may deform or break when subjected to excessive side pressure.
DO NOT exert side pressure on the side rails.
DO NOT use them as push handles for moving the bed.
DO NOT use them as aids in transfer.
These activities could result in personal injury and damage to the half rail.**
- ⚠ WARNING: If components are damaged or missing, contact your dealer immediately. DO NOT use substitute parts. Use only Lumex replacement parts. Non-Lumex replacement parts could cause entrapment, personal injury, and damage to the side rails.**
- ⚠ WARNING: Cancer and Reproductive Harm - www.p65warnings.ca.gov.**
- ⚠ WARNING: GF Health Products, Inc. assumes no responsibility for any damage or injury caused by improper assembly or use of this product.**

INTENDED USE

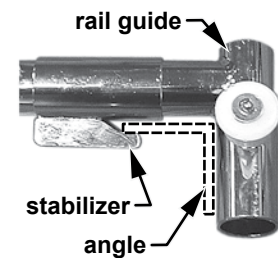
The Universal Side Rails are intended to provide support, increase stability, and assist the user when repositioning themselves in bed.

INSTALLATION

1. Ensure that the bed deck is in flat position.

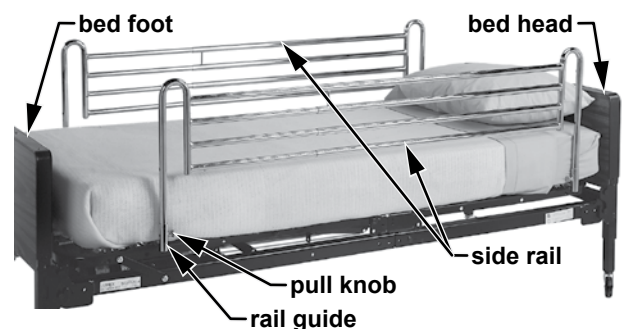


install first cross bar at bed head



**lock stabilizer
under head section
spring deck angle**

2. Position the first cross bar on top of the head section spring deck angle, between the first and second deck springs from the head of the bed (approximately eight inches from the headboard) as shown at left above.
3. Attach the first cross bar to the top of the spring deck: hook one stabilizer under the spring deck angle as shown at right above; then compress the spring-loaded cross bar enough to hook the opposite stabilizer under the opposite deck angle, locking the cross bar into place. You may turn the cross bar to expose the stabilizer, thereby facilitating assembly, but after attachment, return the rail guides to the upright position as shown at right below.
4. Locate the second cross bar at the foot end, between the second and third deck springs from the foot of the bed (approximately 66 inches from the first cross bar). Install the second cross bar as described in step 3.
5. Insert each side rail into the rail guides at head and foot end. Pull the pull knobs until the side rails engage securely in rail guides, as shown at right.
6. Articulate the bed through all functions to ensure that side rails and bed are properly assembled.



side rails shown installed

⚠ WARNING: Ensure that cross bars do not exceed mattress width. If there is space between the mattress and the side rails, entrapment could occur, or objects could become entangled between rails and cross bars.

⚠ WARNING: Before use, ensure that side rails are assembled and installed as described, that all attaching hardware is securely tightened, and that the side rails are securely in place.

▲ NOTICE: When both head section and knee are raised or articulated to the maximum, the side rails must slide together and apart freely without binding.

OPERATION

To drop the rail to the **DOWN** position, pull out both pull knobs and allow the rail to slide down.

To raise the rail to the **UP** position, pull out both pull knobs, lift the rail up, and release the pull knobs at the desired height, ensuring that the rail engages securely.

To make the bed: place the rail in the DOWN position; drop the bed linens between the rails and mattress; tuck in the linens; then raise the rail to the UP position. Follow the same procedure for the other side.

⚠ WARNING: Raise side rails to a height sufficient to define the edge of the sleep surface without creating a gap between bottom of rail and bed, which could cause entrapment.

⚠ WARNING: During use, inspect frequently to ensure that all attaching hardware is securely tightened, and that the side rails are securely in place.

▲ NOTICE: These are full-length side rails. Do not compress them to 3/4 length and install them on an articulating bed. The reduction in telescopic movement could result in damage to the side rails.

▲ NOTICE: To prevent damage to levers and motors of articulating beds and side rails, ensure that when the head and foot ends of the bed deck are raised, the telescoping length of the side rails is not less than 49 inches.

MAINTENANCE

⚠ WARNING: During use, inspect the Universal Side Rails frequently to ensure that all attaching hardware is securely tightened and the Universal Side Rails are securely in place. Adjust as needed to ensure secure installation.

Cleaning

To clean the rails, wash them with soap and water or a mild detergent, then rinse with water. Dry thoroughly before use.

▲ NOTICE: Do not use abrasive cleaners or scouring pads on any part of the rails.

LIMITED WARRANTY

SCOPE OF WARRANTY

GF Health Products, Inc. (“GF”) warrants to the original purchaser only that it will replace or repair components, at GF’s sole discretion, that are defective in material or workmanship under normal use and service. All warranties are conditioned upon the proper use of the products strictly in accordance with good commercial practice and applicable GF instructions and manuals, including proper use and maintenance. To the extent that a component is warranted by a third party, GF conveys all of its rights under that warranty to the original purchaser, to the extent permitted. This limited warranty shall only apply to defects that are reported to GF’s customer service team within the applicable warranty period and which, upon examination by GF or its authorized representative, prove to be a warranty item. This limited warranty is not transferable. Within the guidelines set forth in this document, this product is warranted for three (3) years. The applicable warranty period shall commence from date of shipment to the original customer, unless there is an expiration date on the component in which case the warranty shall expire on the earlier of warranty period or the expiration date.

OBTAINING WARRANTY SERVICE

This limited warranty shall only apply to defects that are reported to the Distributor from whom the Customer purchased the product within the applicable warranty period. If there is not a Distributor, you must contact GF directly by calling 1.770.368.4700, sending a fax request to 1.770.368.2386, or by e-mailing a request to cs@grahamfield.com. Specific directions will be provided by the Customer Service Representative. Failure to abide by the specific directions will result in denial of the warranty claim.

EXCLUSIONS

The warranty does not cover and GF shall not be liable for the following:

- 1) Defects, damage, or other conditions caused, in whole or in part, by misuse, abuse, negligence, alteration, accident, freight damage, tampering or failure to seek and obtain repair or replacement in a timely manner;
- 2) Products which are not installed, used, or properly cleaned and maintained as required in the official manual for the applicable product;
- 3) Products considered to be of a non-durable nature including, but not limited to: casters, filters, fuses, gaskets, lubricants, and charts;
- 4) Accessories or parts not provided by GF;
- 5) Charges by anyone for adjustments, repairs, replacement parts, installation or other work performed upon or in connection with such products which are not expressly authorized in writing, in advance, by GF;
- 6) Any labor or shipping charges incurred in the replacement part installation or repair;
- 7) Costs and expenses of regular maintenance and cleaning; and
- 8) Representations and warranties made by any person or entity other than GF.

ENTIRE WARRANTY, EXCLUSIVE REMEDY AND CONSEQUENTIAL DAMAGES DISCLAIMER

THIS WARRANTY IS GF'S ONLY WARRANTY AND IS IN LIEU OF ALL OTHER WARRANTIES, EXPRESS OR IMPLIED. GF MAKES NO IMPLIED WARRANTIES OF ANY KIND INCLUDING ANY IMPLIED WARRANTIES OF MERCHANTABILITY OR FITNESS FOR A PARTICULAR PURPOSE. IF ANY MODEL OR SAMPLE WAS SHOWN TO THE CUSTOMER, SUCH MODEL OR SAMPLE WAS USED MERELY TO ILLUSTRATE THE GENERAL TYPE AND QUALITY OF THE PRODUCT AND NOT TO REPRESENT THAT THE PRODUCT WOULD NECESSARILY CONFORM TO THE MODEL OR SAMPLE IN ALL RESPECTS. THIS WARRANTY IS LIMITED TO THE REPAIR OR REPLACEMENT OF THE DEFECTIVE PARTS. GF SHALL NOT BE LIABLE FOR AND HEREBY DISCLAIMS ANY DIRECT, SPECIAL, INDIRECT, INCIDENTAL, EXEMPLARY OR CONSEQUENTIAL DAMAGES, INCLUDING, BUT NOT LIMITED TO: DAMAGES FOR LOSS OF PROFITS OR INCOME, LOSS OF USE, DOWNTIME, COVER, OR EMPLOYEE OR INDEPENDENT CONTRACTOR WAGES, PAYMENTS AND BENEFITS.

The warranties contained herein contain all the representations and warranties with respect to the subject matter of this document, and supersede all prior negotiations, agreements and understandings with respect thereto. The recipient of this document hereby acknowledges and represents that it has not relied on any representation, assertion, guarantee, warranty, collateral contract or other assurance, except those set out in this document.

For additional information on this product or this warranty, please contact a GF Customer Service Representative.

NOTES:

- 1) Additional terms and conditions may apply.
- 2) Freight claims must be notated on the appropriate shipping documents and must be made with immediacy. International, federal and state regulations govern specific requirements for freight claims. Failure to abide by those regulations may result in a denial of the freight claim. GF will assist you in filing the freight claim.
- 3) Claims for any short shipment must be made within three (3) days of the invoice date.



1.770.368.4700

Information contained herein is subject to change.
The most current and complete product information can be found on our website.
www.grahamfield.com

Follow us on  

© 2008, GF Health Products, Inc. All Rights Reserved.
Graham-Field and Lumex are trademarks of GF Health Products, Inc., One Graham-Field Way, Atlanta GA 30340-3140
GF Health Products, Inc. is an ISO 13485 Certified Company.
Manufactured for GF Health Products, Inc.
Made in China