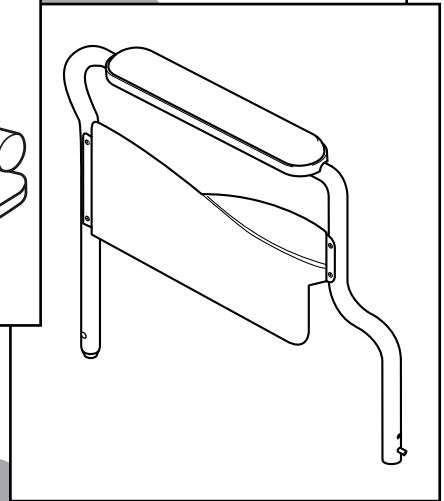
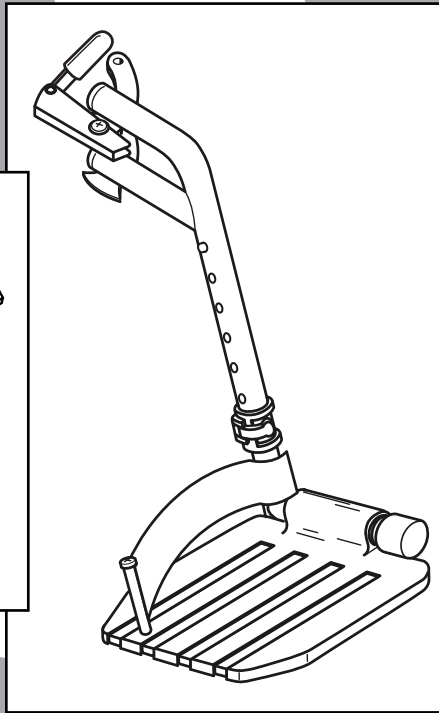
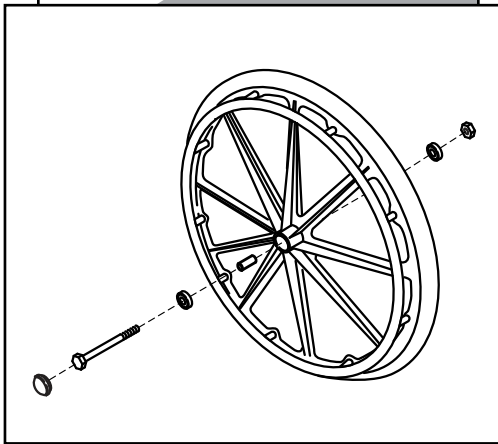




# PARTS CATALOG



# CONTENTS

---

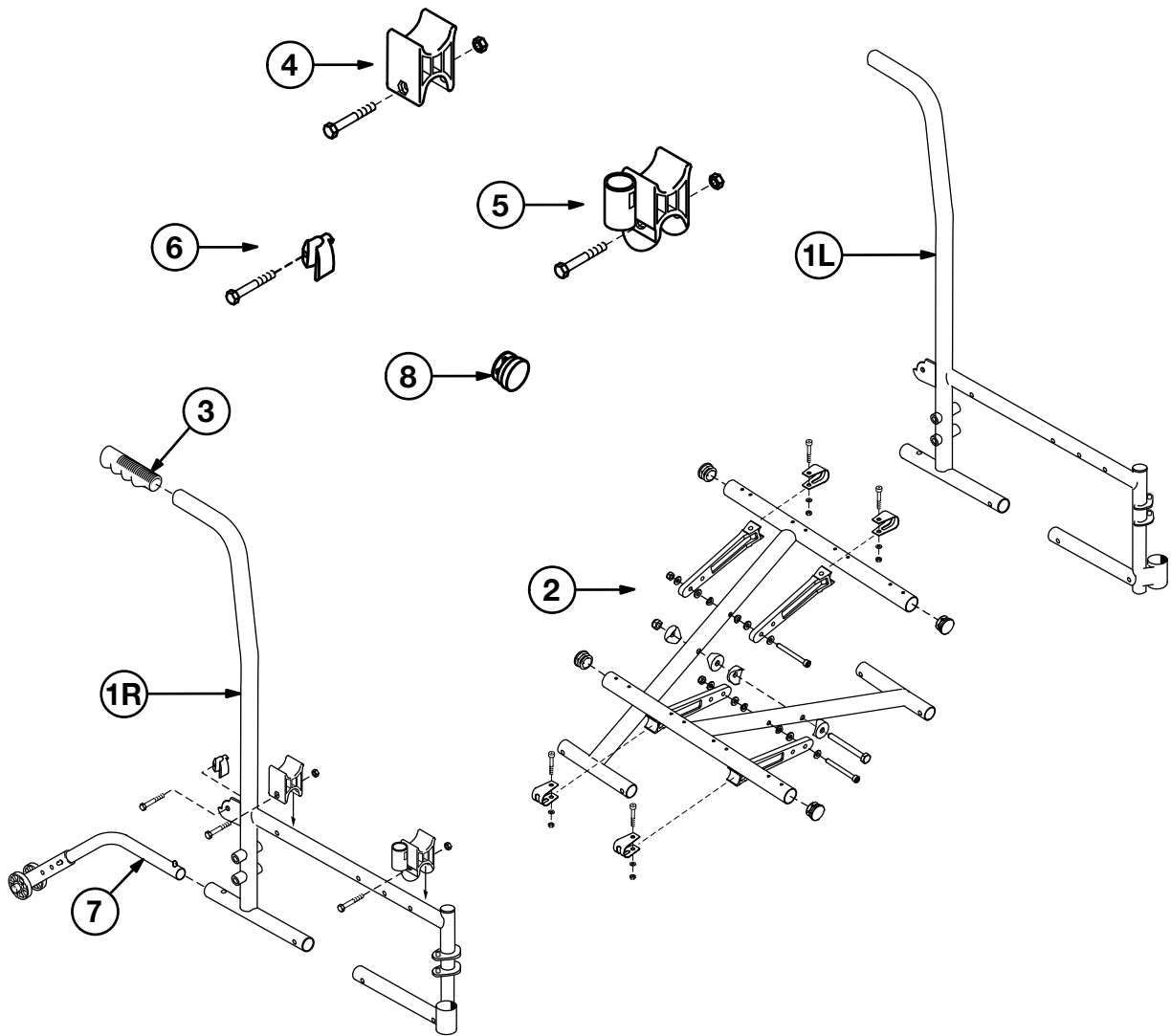
SIDEFAME AND CROSSBRACE .....	3
ARM: FLIP-BACK FIXED-HEIGHT .....	4
ARM: FLIP-BACK ADJUSTABLE-HEIGHT .....	4
REAR WHEEL .....	5
CASTER.....	5
FOOTREST, SWINGAWAY AND DETACHABLE.....	6
ELEVATING LEGREST, SWINGAWAY AND DETACHABLE .....	6
UPHOLSTERY .....	7
ACCESSORIES .....	7

## TO ORDER

Tel: 1.770.368.4700 • Fax: 1.770.368.2386

Returns: Parts may not be returned without prior authorization from GF Health Products, Inc. Custom parts cannot be returned for credit. Please refer to GF Health Products, Inc. [Terms and Conditions](#) for further information.

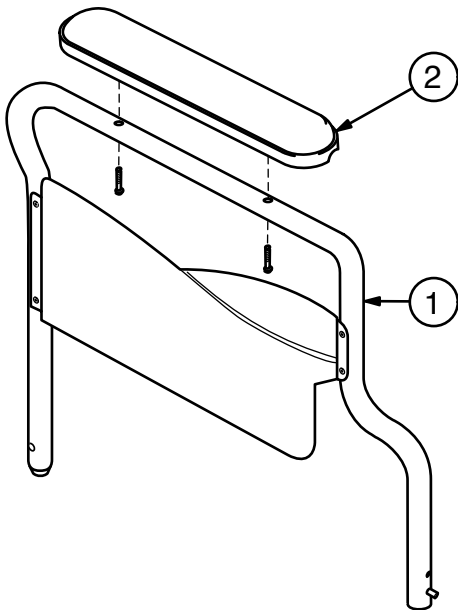
# SIDEFRAME AND CROSSBRACE



- 1 Sideframe and backpost, all widths**
  - 16" deep Right..... 90763201A
  - 16" deep Left ..... 90763202A
- 2 Crossbrace, pair (Includes center bolt and nut, 4 crossbrace links, 4 plugs and mounting hardware)**
  - 16" W x 16" deep..... 907632C1A
  - 18" W x 16" deep..... 907632C2A
  - 20" W x 16" deep..... 907632C3A
- 3 Grip (10 each) ..... 90763005A**

- 4 Rear seat rail cradle, pair (includes 2 each and mounting hardware) ..... 90763206A**
- 5 Front seat rail and arm cradle, pair (includes 2 each and mounting hardware) ..... 90763208A**
- 6 Arm bracket, pair (includes 2 each and mounting hardware) ..... 90763210A**
- 7 Anti-Tippers, pair**
  - for 18" to 20" seat height..... 90763230A
  - for 16.3" or 17.9" seat height ..... 90763233A
- 8 Seat rail plug (4 each) ..... 907633CSE**

## ARM: FLIP-BACK FIXED-HEIGHT



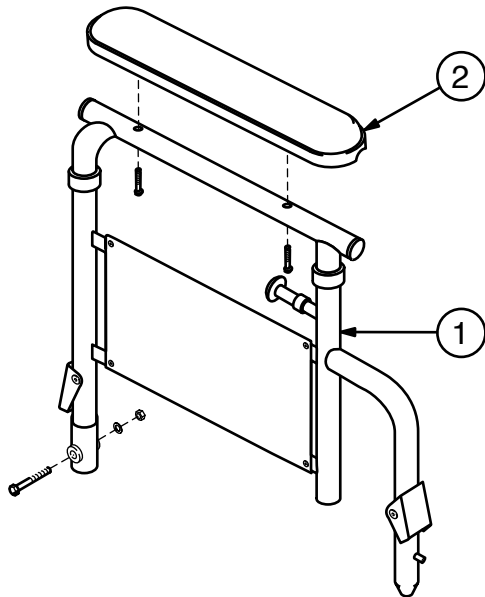
- 1 Arm, flip-back fixed-height, pair  
(includes right and left arm with  
mounting hardware, side panel,  
latch, and arm pad)

Desk length (shown) ..... 90763231A  
Full length ..... 90763232A

- 2 Arm pad only, pair  
(includes two black arm pads  
and mounting screws)

Desk length (shown) ..... 90763022A  
Full length ..... 90763023A

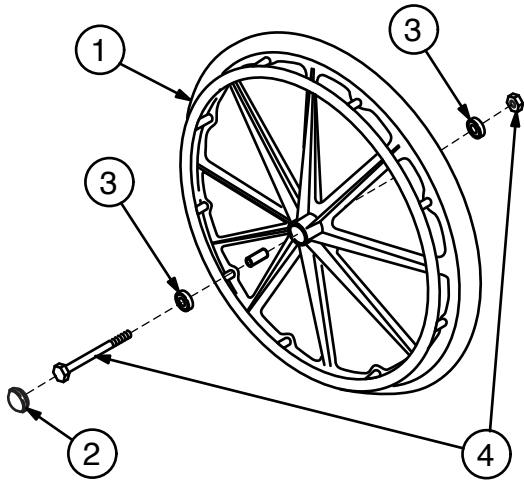
## ARM: FLIP-BACK ADJUSTABLE-HEIGHT



- 1 Arm, flip-back adjustable-height,  
desk length, pair  
(includes right and left arm with  
mounting hardware, side panel,  
latch, and arm pad) ..... 90763227

- 2 Arm pad only, desk length, pair  
(includes two black arm pads  
and mounting screws) ..... 90763022A

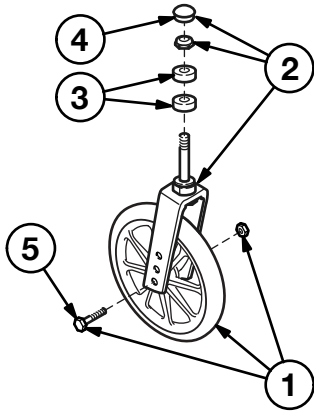
# REAR WHEEL



- 1 Rear wheel with handrim, 24" x 1", polyurethane tire (includes hub cap, bearings, and spacer; does not include axle or nut)..... 90763150A
- 2 Hub cap (10 each)..... 90763051A
- 3 Wheel bearing (10 each) ..... 90763052A
- 4 Rear axle and nut (10 each)..... 90763053A

- 1 Rear wheel with handrim, 20" x 1" Hemi height, polyurethane tire (includes hub cap, bearings, and spacer; does not include axle or nut)..... 90763154A
- 2 Hub cap (10 each)..... 90763056A
- 3 Wheel bearing (10 each) ..... 90763057A
- 4 Rear axle and nut (10 each)..... 90763058A

# CASTER

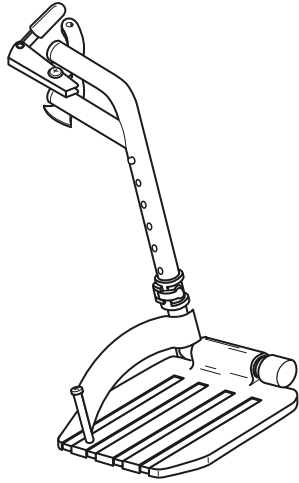


- Complete caster (fork and wheel), 8" x 1" solid rubber tire..... 90763040A
- 1 Caster wheel, axle bearings, axle and nut ..... 90763041A
- 2 Caster fork, stem nut and dust cap .... 90763042A
- 3 Caster stem bearing (10 each) ..... 90763043A
- 4 Caster dust cap (10 each)..... 90763044A
- 5 Caster axle and nut (10 each)..... 90763045A

- Complete caster (fork and wheel) for Hemi height, 6" x 1" solid rubber tire..... 91763040A
- 1 Caster wheel, axle bearings, axle and nut ..... 91763041A
- 2 Caster fork, stem nut and dust cap .... 91763042A
- 3 Caster stem bearing (10 each) ..... 91763043A
- 4 Caster dust cap (10 each)..... 91763044A
- 5 Caster axle and nut (10 each)..... 91763045A

# FOOTREST, SWINGAWAY AND DETACHABLE

---

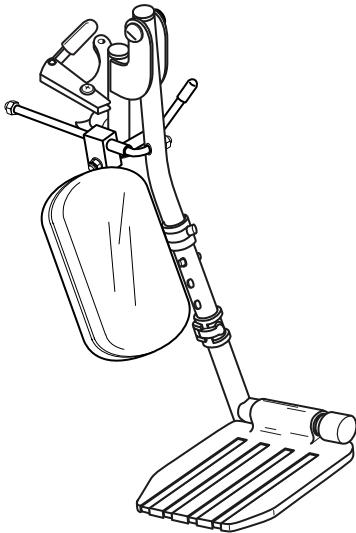


Footrest, pair, all widths  
Includes right and left hanger with  
release and black composite footplate  
with extension and heel loop ..... 90763030A

Black composite footplate, pair ..... 90763033A

# ELEVATING LEGREST, SWINGAWAY AND DETACHABLE

---

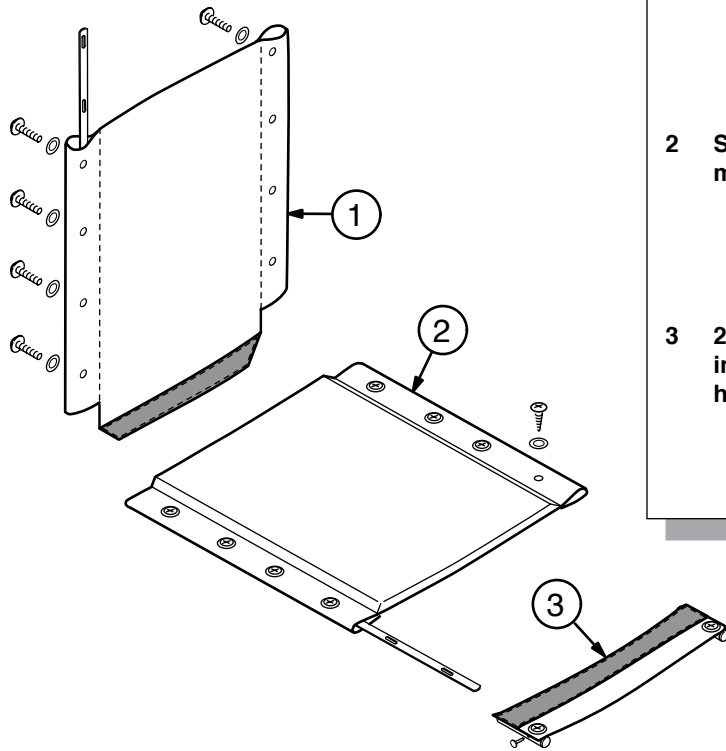


Low-pivot elevating legrest, pair, all widths  
Includes right and left hanger with release,  
composite footplate with extension, and  
legrest panel (does not include  
heel loop) ..... 90763031A

Black composite footplate, pair .....90763033A

Elevating legrest panel kit  
Includes 2 black padded panels  
and hardware .....90763032A

# UPHOLSTERY



<b>1</b>	<b>Back upholstery, black nylon, and mounting hardware</b>	
	16" W.....	907632A1A
	18" W.....	907632A2A
	20" W.....	907632A3A
<b>2</b>	<b>Seat upholstery, black nylon, and mounting hardware</b>	
	16" W x 16" D.....	907632B1A
	18" W x 16" D.....	907632B2A
	20" W x 16" D.....	907632B3A
<b>3</b>	<b>2" Seat extension kit, black nylon, includes tubes and mounting hardware</b>	
	16" W.....	90763SE16
	18" W.....	90763SE18
	20" W.....	90763SE20

# ACCESSORIES

## Traveler L3 Plus accessories (not shown)

<b>1</b>	<b>Heel loop, pair.....</b>	<b>90763064A</b>
<b>2</b>	<b>Wheel lock, pair, push to lock (includes rubber tips).....</b>	<b>90763070A</b>
<b>3</b>	<b>Wheel lock extension, pair .....</b>	<b>90763062A</b>
<b>4</b>	<b>Positioning belt (auto style) .....</b>	<b>300-505</b>
<b>5</b>	<b>Anti-Fold bar .....</b>	<b>92523850</b>
<b>6</b>	<b>O2-IV holder .....</b>	<b>B10320F</b>
<b>7</b>	<b>O2 cylinder holder.....</b>	<b>B10325</b>
<b>8</b>	<b>Tipping sleeve (10 each).....</b>	<b>90763006A</b>



**1.770.368.4700**

Information contained herein is subject to change.  
The most current and complete product information can be found on our website.  
**[www.grahamfield.com](http://www.grahamfield.com)**

Follow us on   

© 2016, GF Health Products, Inc. All Rights Reserved.

Everest & Jennings and Traveler are trademarks of  
GF Health Products, Inc., One Graham-Field Way, Atlanta GA 30340-3140

GF Health Products, Inc. is an ISO 13485 Certified Company.