

**LUMEX**<sup>®</sup>  
*by graham-field*



***LX5000 Allura Four-Wheel Rollator***  
***LX5000LX Allura LX Four-Wheel Rollator***  
***User Manual***

***Para instrucciones en Español, vease la pagina 13***

**LX5000-INS-LAB-RevA18**

**Read this manual before assembling  
or using the Rollator.  
Save this manual for future reference.**

# CONTENTS

INTRODUCTION .....	2
PRODUCT DESCRIPTION .....	2
INTENDED USE .....	3
SAFETY GUIDELINES—PLEASE READ BEFORE USE .....	3
WARNING / CAUTION SUMMARY .....	3
RAMPS AND INCLINES .....	4
CURBS AND STEPS .....	4
UNPACKING .....	5
ASSEMBLY .....	6
FRAME .....	6
SEAT .....	6
BACKREST .....	6
HANDLE HEIGHT ADJUSTMENT .....	7
STORAGE BAG INSTALLATION .....	7
OPERATION .....	8
CLEANING AND MAINTENANCE .....	9
TRANSPORT AND STORAGE .....	9
SPECIFICATIONS .....	10
LIMITED WARRANTY .....	11

## INTRODUCTION

This manual contains assembly, operation and maintenance instructions for your rollator. Read the entire manual carefully before using your rollator, and refer to it during use if you have questions.

## PRODUCT DESCRIPTION



## INTENDED USE

The intended use of the LX5000 Allura Four-Wheel Rollator / LX5000LX Allura LX Four-Wheel Rollator is as a rollator, a walking aid with wheels, manipulated by both arms.

**⚠ WARNING: This product has a maximum weight capacity of 300 lb, EVENLY DISTRIBUTED.**

## SAFETY GUIDELINES—PLEASE READ BEFORE USE

The safety statements presented in this chapter refer to the basic safety information that the rollator user shall pay attention to and abide by. There are additional safety statements in other chapters or sections, which may be the same as or similar to the following, or specific to the operations. Please note the following special statements, used throughout this manual, and their significance:

- ⚠ WARNING:** Indicates a potential hazard situation or unsafe practice that, if not avoided, could result in death or serious personal injury.
- ⚠ CAUTION:** Indicates a potential hazard or unsafe practice that, if not avoided, could result in minor or moderate personal injury.
- ▲ NOTICE:** Indicates a potential hazard or unsafe practice that, if not avoided, could result in product or property damage.

*Info: Provides application recommendations or other useful information to ensure that you get the most from your product.*

## WARNING / CAUTION SUMMARY

- ⚠ WARNING:** Important! Read and understand these instructions before assembling or using the rollator. Ensure that the rollator is assembled as described in the following pages before use. If the rollator is not properly assembled and adjusted, personal injury and/or damage to the rollator could result.
- ⚠ WARNING:** DO NOT use this product without proper instruction from a healthcare professional.
- ⚠ WARNING:** GF Health Products, Inc. ("Graham-Field") assumes no responsibility for any damage or injury caused by improper assembly or use of this product.
- ⚠ WARNING:** If components are damaged or missing, contact your dealer immediately. DO NOT use substitute parts.
- ⚠ WARNING:** Inspect the rollator weekly for proper function and wear. If any component is not in proper working order or appears worn, contact your authorized GF distributor for repair and/or appropriate replacement parts.
- ⚠ WARNING:** DO NOT operate the rollator on streets or roadways.
- ⚠ WARNING:** DO NOT operate the rollator on hilly or rough terrain, sand, wet, slippery or icy surfaces, or surfaces with impaired traction. Ensure that pathway is clear of all obstacles.
- ⚠ WARNING:** The rollator does not offer seating or occupant restraint equivalent to the seat provided in a motor vehicle! To increase your safety while traveling in a motor vehicle, always transfer to the vehicle seat and use the restraint provided by the vehicle manufacturer.

- ⚠ WARNING: DO NOT tie down or attach anything to the wheels. This could cause tipping and possibly result in injury or damage to the rollator.**
- ⚠ WARNING: Ensure that the rollator is on a stable, level surface and engage handbrakes before and during transfer or using an elevator.**
- ⚠ WARNING: Unauthorized modification or the use of non-Lumex® replacement parts could change the structure of the rollator, void the warranty, and create a hazardous condition resulting in serious personal injury.**
- ⚠ WARNING: DO NOT use the rollator on stairs or escalators.**
- ⚠ WARNING: Notice for California Customers - California Proposition 65 WARNING: This product can expose you to chemicals including DEHP which is known to the State of California to cause cancer and birth defects or other reproductive harm. For more information go to [www.P65Warnings.ca.gov/product](http://www.P65Warnings.ca.gov/product).**
- ⚠ WARNING: GF Health Products, Inc. specifically disclaims responsibility for any personal injury or property damage which may occur during any use which does not comply with federal, state, or local laws or ordinances.**

## **RAMPS AND INCLINES**

- ⚠ WARNING: DO NOT leave the rollator on an incline.**
- ⚠ WARNING: DO NOT turn the rollator while going downhill, as the rollator could become unstable or tip over.**
- ⚠ WARNING: DO NOT attempt any incline or decline greater than six degrees (10% grade, or one foot of rise or fall per ten feet of ramp length).**

Ramps and inclines should only be negotiated with the assistance of an attendant. To attendant: Practice with a healthcare professional first before attempting ramps or inclines. Always inspect the ramp for hazards such as holes, slippery or uneven surfaces, etc. before starting up or down. If you can not see the entire ramp, ask someone to inspect it for you.

## **CURBS AND STEPS**

- ⚠ WARNING: Never attempt to negotiate curbs or steps with your rollator without the assistance of an attendant.**
- ⚠ WARNING: Never attempt to negotiate stairs or escalators with your rollator under any circumstances.**

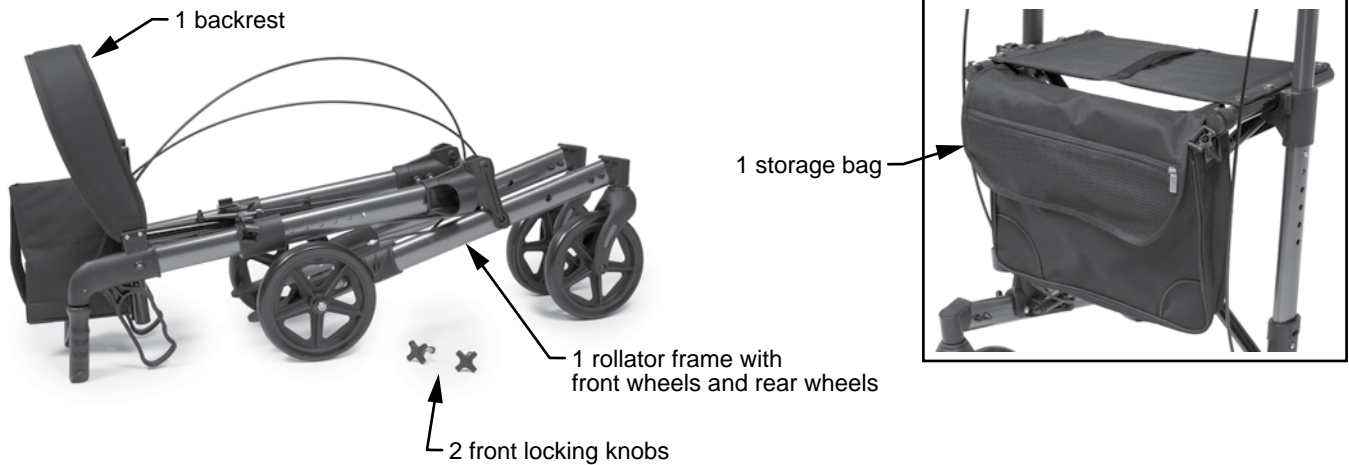
Curbs, steps and stairways are dangerous obstacles that confront the rollator user. When you encounter curbs, find a way around, or use the ramps now available in most locations. If you encounter stairs or escalators and there is no ramp available, avoid the stairs or escalators by utilizing the disabled designated elevators now required in most locations. Curbs and steps should only be negotiated with the assistance of an attendant.

## UNPACKING

Unless the rollator is to be used immediately, retain box and packaging materials for storage until use is required.

1. Check for obvious damage to the carton or its contents. If damage is evident, please notify the carrier and your GF authorized distributor.
2. Remove all loose packing from the box.
3. Carefully remove all the components from the carton.

Each box should contain the following components (see picture below):



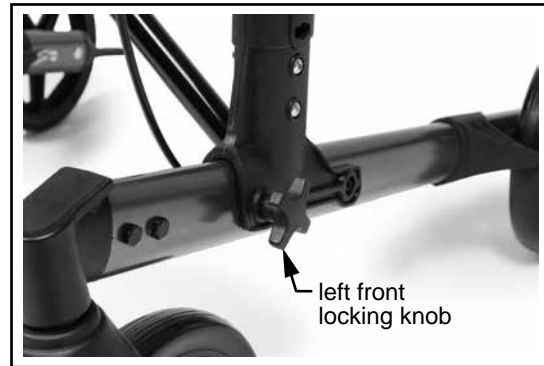
- 1 rollator frame with front wheels and rear wheels
- 1 backrest
- 1 storage bag
- 2 front locking knobs

## ASSEMBLY

### FRAME

1. Position the rollator in upright position.
2. Install both front locking knobs. Turn them clockwise to tighten.

**⚠ WARNING: Ensure front locking knobs are securely installed before proceeding.**



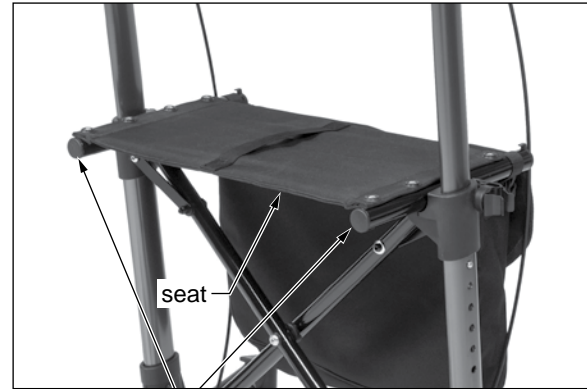
**Lock Frame into Place**

### SEAT

Push down on both the left and right side of the seat to securely lock the seat support bars into place.

***Info: You will hear a click when the seat locks into position.***

**⚠ WARNING: Avoid putting your fingers under the seat support bars when locking the seat into position.**

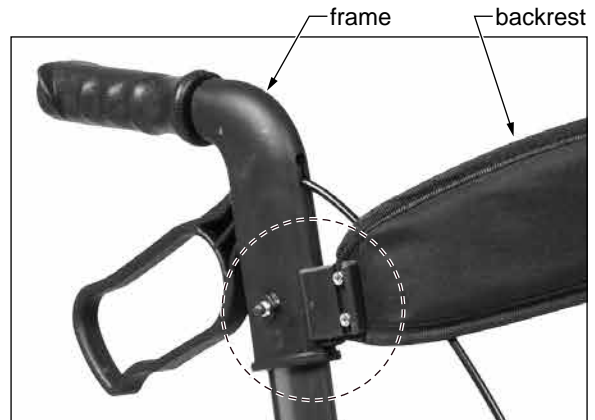


**Lock Seat Into Place**

### BACKREST

The backrest has a slot on each side where the frame key slides in to secure the backrest to the frame. Slide the frame key into the backrest slot on both sides as shown at right.

**⚠ WARNING: Ensure backrest is securely installed before proceeding.**



**Backrest Installation**

## HANDLE HEIGHT ADJUSTMENT

1. The rollator handle height can be adjusted very easily. To adjust the handle height, press the push button on the side of the rollator and adjust to the best height for the user. Ensure that the push button locks in one of the adjustment holes to secure its position.
2. Repeat for other side.

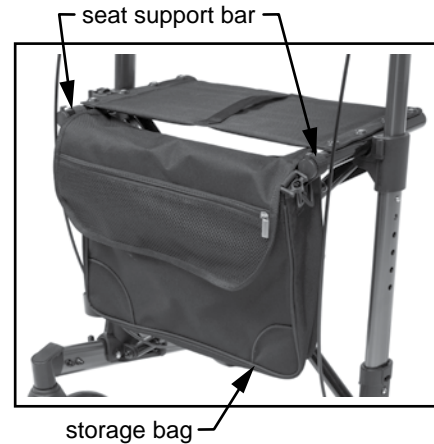
***Info: A recommended guideline for proper handle height positioning is to position the handle at wrist height of the user. Your healthcare professional, distributor or caregiver should assist you in finding the best handle height for you.***



Handle Height Adjustment

## STORAGE BAG INSTALLATION

Use the storage bag straps to install the storage bag on the seat support bars. The storage bag can be conveniently removed to place items and then reattached, no tools needed.



Storage Bag Installation

## OPERATION

- ⚠ **WARNING:** Read the safety section and operating instructions in this manual before use.
- ⚠ **WARNING:** Before using the rollator, ensure that the wheels are securely attached to the frame, that the seat is fully in its locked position, and that the push buttons protrude fully through the leg height adjustment holes, and the backrest is securely installed.

Before proceeding, ensure that all instructions in the previous section, **ASSEMBLY**, have been followed, and that you have read the **SAFETY** section of this manual.

### Rollator Setup

The photo at right shows the rollator. To keep the backrest away from your hands, position the backrest away from the handles as shown at right.



### Walking With Your Rollator

1. Move your rollator slowly forward and always be sure that the rear wheels are a few inches ahead of your body.
2. Select a pace that is comfortable for you.

### Stopping With Your Rollator

The rollator has loop locking handbrakes. To slow down, squeeze the handbrakes upward toward the handles. To hold the rollator in a stationary position, push the handbrakes down, away from the handles, until the handbrakes lock into place; the rear wheels will be locked in place. To release, pull the handbrakes upward toward the handles until the rear wheels move freely.

### To Sit in Rollator

1. Push the handbrakes down, away from the handles, until the handbrakes lock into the parked position.
2. Test the wheels before sitting down to ensure the rollator will not roll.
3. Before sitting, touch the back of your legs to the edge of the seat to ensure proper positioning of the rollator.
4. Hold onto handles of rollator if necessary to help you lower your body onto the seat.

- ⚠ **WARNING:** Distribute your body weight evenly on the rollator.
- ⚠ **WARNING:** DO NOT lean on one side of the rollator.
- ⚠ **WARNING:** Ensure that handbrakes stop rollator and lock in place appropriately before occupying or operating rollator. If your handbrakes are not operating correctly, please see your GF authorized distributor immediately for service.



## CLEANING AND MAINTENANCE

Use a clean, soft cloth and warm water to clean the rollator frame, handles, and wheels. Rinse and air dry.

**▲ NOTICE: Do NOT use solvents and other cleaning solutions to clean the frame or the fabric of this product.**

Check fit and tightness of all nuts, bolts and knobs weekly.

**⚠ WARNING: Inspect the rollator weekly for proper function and wear. If any component is not in proper working order or appears worn, contact your GF authorized distributor for repair and/or appropriate replacement parts.**

**⚠ WARNING: The use of non-Lumex® replacement parts will void the warranty, and could create a hazardous condition resulting in serious personal injury.**

## TRANSPORT AND STORAGE

The rollator is designed for easy folding and storage.

### To Fold for Transport

1. Pull the strap on the middle of the seat up to release the seat from the seat support bars.
2. Push the handles together; the rollator will fold easily and be ready for transport.



**Prepare for Transport / Storage**

### To Store

1. Adjust the handle height to the lowest position.
2. Pull the strap on the middle of the seat up to release the seat from the seat support bars.
3. Lay the rollator on the floor to fold the front wheels.
4. Remove the front locking knobs: Turn the lock knobs counterclockwise, remove them, and store them with the rollator. Fold the front wheels as shown at right.
5. It is not required that you remove the storage bag from the rollator.
6. For long periods of storage, remove the backrest from the frame by sliding the frame key out from the backrest slot on each side.



## SPECIFICATIONS

Dimension ↓	Model Number	
	LX5000	LX5000LX
Width Inside Handgrips	17" (431 mm)	17" (431 mm)
Overall Width	26" (665 mm)	26" (665 mm)
Overall Width Folded Upright	13" (330 mm)	13" (330 mm)
Overall Depth	28.5" (723 mm)	28.5" (723 mm)
Depth Folded Down Flat	36.4" (925 mm)	36.4" (925 mm)
Minimum Handle Height	33" (836 mm)	37" (935 mm)
Maximum Handle Height	38" (956 mm)	42" (1060 mm)
Seat to Floor Height	21.8" (556 mm)	26" (660 mm)
Approximate Height of Intended User	5'4" - 6'2"	6'2" - 6'8"
Maximum Weight Capacity, EVENLY DISTRIBUTED	300 lb (136 kg)	300 lb (136 kg)
Product Weight	18.5 lb (8.4 kg)	19.1 lb (8.7 kg)
Seat Width	18" (460 mm)	18" (460 mm)
Seat Depth	9.4" (239 mm)	9.4" (239 mm)
Wheel Size	8" x 1.5" (201 mm x 38 mm)	8" x 1.5" (201 mm x 38 mm)

## LIMITED WARRANTY

### SCOPE OF WARRANTY

GF Health Products, Inc. ("GF") warrants to the original purchaser only that it will replace or repair components, at GF's sole discretion, that are defective in material or workmanship under normal use and service. All warranties are conditioned upon the proper use of the products strictly in accordance with good commercial practice and applicable GF instructions and manuals, including proper use and maintenance. To the extent that a component is warranted by a third party, GF conveys all of its rights under that warranty to the original purchaser, to the extent permitted. This limited warranty shall only apply to defects that are reported to GF's customer service team within the applicable warranty period and which, upon examination by GF or its authorized representative, prove to be a warranty item. This limited warranty is not transferable. The warranted components and time period are set forth below:

Frame: 5 years

All other components: 1 year

The applicable warranty period shall commence from date of shipment to the original customer, unless there is an expiration date on the component in which case the warranty shall expire on the earlier of warranty period or the expiration date.

### OBTAINING WARRANTY SERVICE

This limited warranty shall only apply to defects that are reported to the Distributor from whom the Customer purchased the product within the applicable warranty period. If there is not a Distributor, you must contact GF directly by calling 1-770-368-4700, sending a fax request to 1-770-368-2386, or by e-mailing a request to [cs@grahamfield.com](mailto:cs@grahamfield.com). Specific directions will be provided by the Customer Service Representative. Failure to abide by the specific directions will result in denial of the warranty claim.

### EXCLUSIONS

The warranty does not cover and GF shall not be liable for the following:

- 1) Defects, damage, or other conditions caused, in whole or in part, by misuse, abuse, negligence, alteration, accident, freight damage, tampering or failure to seek and obtain repair or replacement in a timely manner;
- 2) Products which are not installed, used, or properly cleaned and maintained as required in the official manual for the applicable product;
- 3) Products considered to be of a non-durable nature including, but not limited to: casters, filters, fuses, gaskets, lubricants, and charts;
- 4) Accessories or parts not provided by GF;
- 5) Charges by anyone for adjustments, repairs, replacement parts, installation or other work performed upon or in connection with such products which are not expressly authorized in writing, in advance, by GF;
- 6) Any labor or shipping charges incurred in the replacement part installation or repair;
- 7) Costs and expenses of regular maintenance and cleaning; and
- 8) Representations and warranties made by any person or entity other than GF.

### ENTIRE WARRANTY, EXCLUSIVE REMEDY AND CONSEQUENTIAL DAMAGES DISCLAIMER

THIS WARRANTY IS GF'S ONLY WARRANTY AND IS IN LIEU OF ALL OTHER WARRANTIES, EXPRESS OR IMPLIED. GF MAKES NO IMPLIED WARRANTIES OF ANY KIND INCLUDING ANY IMPLIED WARRANTIES OF MERCHANTABILITY OR FITNESS FOR A PARTICULAR PURPOSE. IF ANY MODEL OR SAMPLE WAS SHOWN TO THE CUSTOMER, SUCH MODEL OR SAMPLE WAS USED MERELY TO ILLUSTRATE THE GENERAL TYPE AND QUALITY OF THE PRODUCT AND NOT TO REPRESENT THAT THE PRODUCT WOULD NECESSARILY CONFORM TO THE MODEL OR SAMPLE IN ALL RESPECTS. THIS WARRANTY IS LIMITED TO THE REPAIR OR REPLACEMENT OF THE DEFECTIVE PARTS. GF SHALL NOT BE LIABLE FOR AND HEREBY DISCLAIMS ANY DIRECT, SPECIAL, INDIRECT, INCIDENTAL, EXEMPLARY OR CONSEQUENTIAL DAMAGES, INCLUDING, BUT NOT LIMITED TO: DAMAGES FOR LOSS OF PROFITS OR INCOME, LOSS OF USE, DOWNTIME, COVER, OR EMPLOYEE OR INDEPENDENT CONTRACTOR WAGES, PAYMENTS AND BENEFITS.

The warranties contained herein contain all the representations and warranties with respect to the subject matter of this document, and supersede all prior negotiations, agreements and understandings with respect thereto.

The recipient of this document hereby acknowledges and represents that it has not relied on any representation, assertion, guarantee, warranty, collateral contract or other assurance, except those set out in this document.

For additional information on this product or this warranty, please contact a GF Customer Service Representative.

### NOTES:

- 1) Additional terms and conditions may apply.
- 2) Freight claims must be notated on the appropriate shipping documents and must be made with immediacy. International, federal and state regulations govern specific requirements for freight claims. Failure to abide by those regulations may result in a denial of the freight claim. GF will assist you in filing the freight claim.
- 3) Claims for any short shipment must be made within three (3) days of the invoice date.



**1.770.368.4700**

Information contained herein is subject to change.  
The most current and complete product information can be found on our website.  
[www.grahamfield.com](http://www.grahamfield.com)

Follow us on   

© 2017, GF Health Products, Inc. All Rights Reserved.  
Graham-Field and Lumex are trademarks of  
GF Health Products, Inc., One Graham-Field Way, Atlanta GA 30340-3140  
GF Health Products, Inc. is an ISO 13485 Certified Company.  
Manufactured for GF Health Products, Inc.  
Made in China

**LUMEX**<sup>®</sup>  
*by graham-field*



**LX5000 Allura Rodador de Cuatro Ruedas**  
**LX5000LX Allura LX Rodador de Cuatro Ruedas**  
**Manual Usuario**

LX5000-INS-LAB-RevA18

**Lea este manual antes de ensamblar  
o utilizar el Rodador.  
Guarde este manual para uso en el futuro.**

# CONTENIDOS

INTRODUCCIÓN.....	2
DESCRIPCIÓN DEL PRODUCTO .....	2
USO ENTENDIDO .....	3
DIRECTRIZ DE SEGURIDAD – POR FAVOR LEA ANTES DE USO .....	3
SUMARIO DE ADVERTENCIAS Y CAUCIONES .....	3
RAMPAS Y INCLINAS .....	4
ACERAS Y ESCALERAS .....	4
DESEMPACAR .....	5
ASAMBLEA .....	6
MARCO .....	6
ASIENTO .....	6
RESPALDO .....	6
AJUSTAMIENTO DE ALTURA DEL MANGO.....	7
INSTALACIÓN DE LA BOLSA DE ALMACENAJE.....	7
OPERACIÓN.....	8
LIMPIANDO Y MANTENIMIENTO.....	9
TRANSPORTE Y ALMACENAJE .....	9
ESPECIFICACIONES .....	10
GARANTÍA LIMITADA.....	11

## INTRODUCCIÓN

Este manual contiene las instrucciones de ensambla, operación y mantenimiento para el rodador. Lea el manual entero cuidadosamente antes de usar el rodador, refiera durante uso si usted tiene preguntas.

### DESCRIPCIÓN DEL PRODUCTO



## USO ENTENDIDO

El uso entendido de la LX5000 Allura Rodador de Cuatro Ruedas / LX5000LX Allura LX Rodador de Cuatro Ruedas es como un rodador, un ayuda de caminar con ruedas manipulado por dos brazos.

**⚠ ADVERTENCIA: Este producto tiene una capacidad máxima de peso de 300 lb, DISTRIBUIDO UNIFORMEMENTE.**

## DIRECTRIZ DE SEGURIDAD – POR FAVOR LEA ANTES DE USO

Las declaraciones de la seguridad presentadas en este capítulo refieren a la información de seguridad básica que el usuario del rodador prestará la atención a y que respetará cerca. Hay declaraciones adicionales de la seguridad en otros capítulos o secciones, que pueden ser iguales que o similares al siguiente, o específico a las operaciones. Observe por favor las declaraciones especiales siguientes, usadas a través de este manual, y su significación:

**⚠ ADVERTENCIA: Indica una situación del peligro potencial o una práctica insegura que, si no evitado, podrían dar lugar a muerte o a daños corporales serios.**

**⚠ PRECAUCIÓN: Indica un peligro potencial o una práctica insegura que, si no evitado, podrían dar lugar a daños corporales de menor importancia.**

**▲ AVISO: Indica un peligro potencial o una práctica insegura que, si no evitado, podrían dar lugar a daños de menor importancia al producto o daños materiales.**

***Info: Proporciona las recomendaciones del uso o la otra información útil de asegurarse de que consigue la mayoría de su producto.***

## SUMARIO DE ADVERTENCIAS Y CAUCIONES

**⚠ ADVERTENCIA: Importante! Lea y entienda estas instrucciones antes de ensamblar o utilizar el rodador. Asegúrese que el rodador esté ensamblado como descrito en los párrafos siguientes antes de uso. Si el rodador no está ensamblado en la manera correcta, daño personal o a la propiedad puede ocurrir.**

**⚠ ADVERTENCIA: NO utilice este producto sin instrucciones de su profesional de la salud.**

**⚠ ADVERTENCIA: GF Health Products, Inc. ("Graham-Field") no asume responsabilidad alguna por daños o heridas causadas por ensamblaje incorrecto de este producto.**

**⚠ ADVERTENCIA: Si componentes están dañados o no están presentes, contacte a su distribuidor autorizado de productos GF inmediatamente. No substituya piezas.**

**⚠ ADVERTENCIA: Revise el rodador semanalmente para función propio y uso. Si algún componente no está trabajando correctamente o se parece usado, contacte a su distribuidor autorizado de productos GF para reparación y/o partes reemplazados.**

**⚠ ADVERTENCIA: NO opere el rodador en calles o calzadas.**

**⚠ ADVERTENCIA: NO opere el rodador en terreno agreste o monte, tierra, superficies mojadas y heladas, o superficies con tracción dañado. Asegúrese que el camino está libre de todos obstáculos.**

- ⚠ ADVERTENCIA: El rodador no ofrece asiento o restricción de ocupante equivalente a la silla pródigo en un vehículo de motor! Para aumentar su seguridad mientras viajando en un vehículo de motor, siempre transfiera al asiento de vehículo y use una restricción pródigo por su fabricante de vehículo.**
- ⚠ ADVERTENCIA: NO amarre o sujete nada a las ruedas. Esto puede causar volcado y posiblemente resultar en herida o daño al rodador.**
- ⚠ ADVERTENCIA: Asegúrese que el rodador está en un superficie estable y nivel, y engrane los frenos de mano antes de y durante transfiriendo o usando un elevador.**
- ⚠ ADVERTENCIA: Modificación no autorizado o uso de partes de reemplace que no son de Lumex® puede cambiar la estructura del rodador, puede ser que la garantía se hace inválida, y causar una condición peligroso resultando en herida seria personal.**
- ⚠ ADVERTENCIA: Aviso para los clientes de California - Proposición 65 de California ADVERTENCIA: Este producto puede exponerlo a productos químicos, incluido el DEHP, que conocido en el Estado de California por causar cáncer y defectos de nacimiento o daño reproductiva. Para obtener más información, vaya a [www.P65Warnings.ca.gov/product](http://www.P65Warnings.ca.gov/product).**
- ⚠ ADVERTENCIA: GF Health Products, Inc. específicamente renuncia responsabilidad por cual quiere herida personal o daño a propiedad que puede ocurrir durante uso que no cumple con las leyes federales, del esta o leyes y ordenanzas locales.**

## **RAMPAS Y INCLINAS**

- ⚠ ADVERTENCIA: NO deje el rodador en una inclina.**
- ⚠ ADVERTENCIA: NO de vuelta al rodador mientras yendo cuesta abajo, o si no el rodador puede volcar.**
- ⚠ ADVERTENCIA: NO intente cual quiere inclina o descenso mas de seis grados (10% pendiente, o un pie mas alto o caer por diez pies de longitud del rampa.**

Rampas y Inclinas deben ser negociados con la asistencia de un atendiente. Para el atendiente: Practica con un profesional de cuidado de salud antes de tratar rampas y inclinas. Siempre examine la rampa para peligros como huecos, superficies resbalosas o desiguales, etc. antes de subir y bajar. Si no puede ver la rampa entera, pide ayuda de alguien que lo puede examinar para usted.

## **ACERAS Y ESCALERAS**

- ⚠ ADVERTENCIA: Nunca trate de negociar aceras y escaleras con el rodador sin asistencia de un atendiente.**
- ⚠ ADVERTENCIA: Nunca trate de negociar aceras y escaleras con el rodador debajo cual quiere circunstancia.**

Aceras y escaleras son obstáculos peligrosos para usuarios de rodador. Cuando se encuentra con aceras, busca otra manera o use una rampa que son disponibles en la mayoría de sitios. Si se encuentra con escaleras o escaleras mecánicas y no hay rampa disponible, evite las escaleras y escalera mecánica y utilice un elevador para los decapitados requeridos en la mayoría de sitios. Aceras y escaleras deben ser negociados con la asistencia de un atendiente.

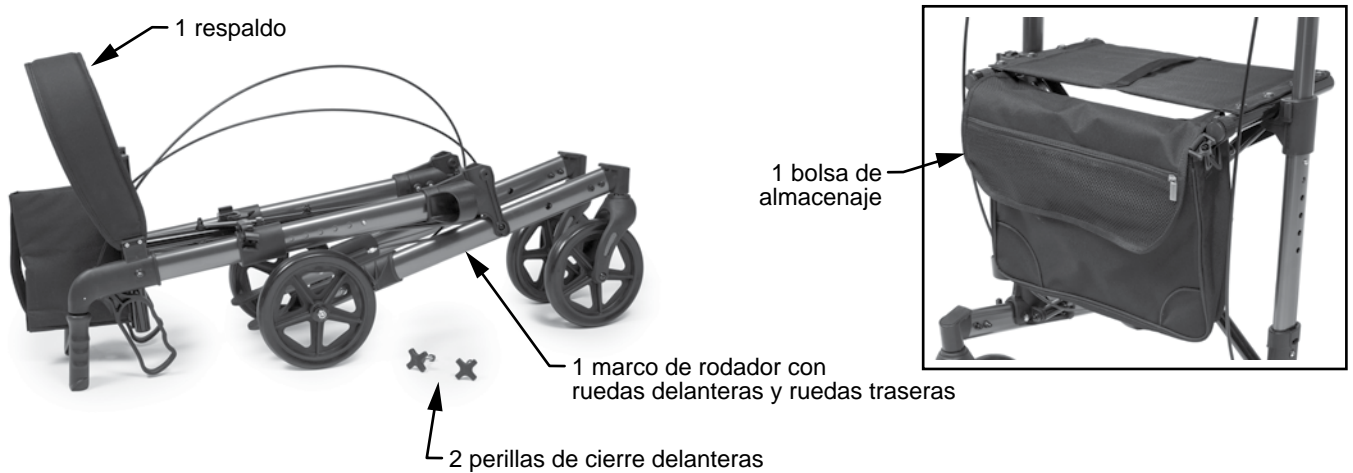


## DESEMPACAR

A menos que el rodador va ser usado inmediatamente, guarde la caja y materiales de almacenaje para almacenaje hasta que uso es requerido.

1. Cheque por daño obvio al cartón y los contenidos. Si hay daño evidente, notifique a su compañía de transportes y a su distribuidor autorizado de productos GF.
2. Remueve todo las materiales de almacenaje suelto de la caja.
3. Con cuidado remueve todos los componentes del cartón.

Cada caja debe contener los componentes siguientes (ver imagen abajo):



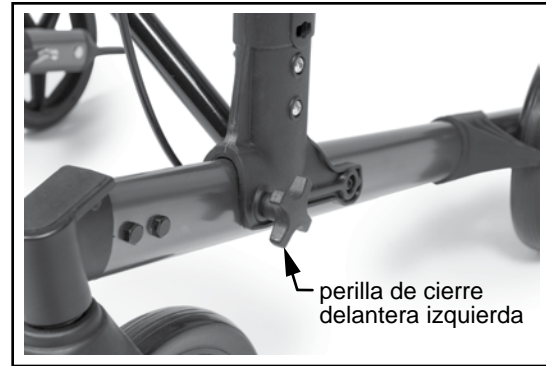
- 1 marco del rodador con ruedas delanteras y ruedas traseras
- 1 respaldo
- 1 bolsa de almacenaje
- 2 perillas de cierre delanteras

## ASAMBLEA

### MARCO

1. Ponga el rodador en la posición vertical.
2. Instale las dos perillas de cierre delanteras. Gírelas en sentido horario para apretarlas.

**⚠ ADVERTENCIA:** Asegúrese de que las dos perillas de cierre delanteras estén bien instalados antes de continuar.



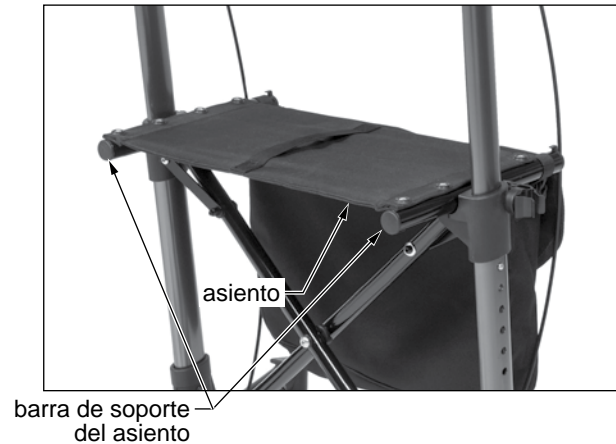
Cierre en Posición el Marco

### ASIENTO

Apreté en ambos lados del asiento para asegurar que las barras de soporte del asiento están en posición.

**Info:** Va a oír un “clic” cuando el asiento se cierre en posición.

**⚠ ADVERTENCIA:** Evite poner sus dedos debajo de las barras de soporte del asiento cuando poniendo el asiento en posición.

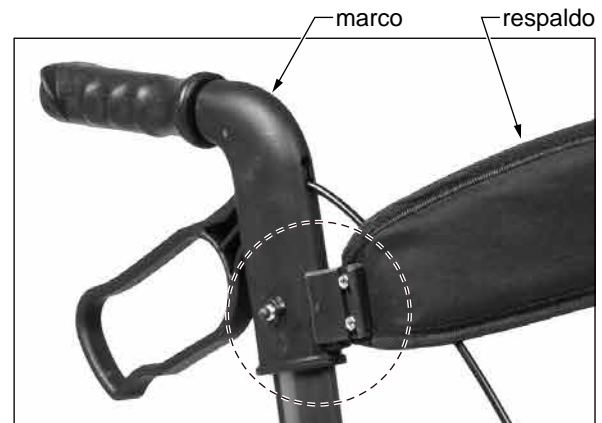


Cierre en Posición el Asiento

### RESPALDO

El respaldo tiene un espacio en cada lado donde la llave del marco se desliza para asegurar el respaldo al marco. Deslice la llave del marco en el espacio del respaldo en ambos lados como se muestra a la derecha.

**⚠ ADVERTENCIA:** Asegúrese de que el respaldo esté bien instalado antes de continuar.



Instalación del Respaldo

## AJUSTAMIENTO DE ALTURA DEL MANGO

1. La altura de los mangos del rodador pueden ser ajustado fácilmente. Para ajustar la altura del mango, apreté el botón al lado del rodador y ajuste la altura mejor para el usuario. Asegúrese que el botón se cierre en uno de los huecos de ajustamiento seguramente en posición.
2. Repita para el otro lado..

***Info: Una directriz recomendado para posición apropiado de altura del mango es para posicionar el mango a la altura de la muñeca del usuario. Su profesional de cuida de salud, distribuidor o cuidador debe asistirle en encontrar la mejor altura del mango para usted.***

## INSTALACIÓN DE LA BOLSA DE ALMACENAJE

Utilice la correas correas de la bolsa de almacenaje para instalar la bolsa de almacenaje en las barras de soporte del asiento. La bolsa de almacenaje puede ser removida para poner artículos y puesto de nuevo sin herramientas.



Ajustamiento de Altura del Mango



bolsa de almacenaje

Instalación de la Bolsa de Almanaceneaje

## OPERACIÓN

- ⚠ **ADVERTENCIA:** Lea la sección de seguridad y instrucciones de operación en este manual antes de usar.
- ⚠ **ADVERTENCIA:** Antes de utilizar el rodador, asegúrese que las ruedas están armados seguramente al marco, que el asiento está en su posición asegurado, que los botones sobresalen por los huecos del ajustamiento de altura para las patas, y que el respaldo esté bien instalado.

Antes de proceder, asegure que todas las instrucciones en la sección **ASAMBLEA** han sido seguido, y que ha leído la sección **SEGURIDAD** de este manual.

### Montaje de Rodador

La foto a la derecha enseña el rodador. Para poner el respaldo lejos de sus manos, posicione el respaldo lejos de los mangos como mostrado.

### Caminando Con Su Rodador

1. Mueva su rodador hacia adelante despacio y siempre asegúrese que las ruedas traseras estén algunas pulgadas adelante de su cuerpo.
2. Seleccione un paso que es confortable para usted.

### Parando Con Su Rodador

El rodador tiene frenos de mano de curva. Para parar, apreté los frenos de mano hacia arriba a los mangos. Para mantener el rodador en una posición estacionario, apreté los frenos de mano hacia abajo, lejos de los mangos, hasta que los frenos de mano se aseguran en posición; las ruedas traseras se aseguran en posición. Para soltar, jale en los frenos de mano hacia arriba hasta que los mangos de las ruedas traseras se mueven fácilmente.

### Para Sentarse en el Rodador

1. Apreté los frenos de mano hacia abajo, lejos de los mangos hasta que los frenos de manos están asegurados en la posición parqueados.
2. Prueba las ruedas antes de sentarse para asegurar que el rodador no va dar vuelta.
3. Antes de sentarse, toque el borde del asiento con la parte atrás de sus piernas para asegurar la posición apropiado para el rodador.
4. Aguante sobre los mangos del rodador si necesario para ayudarle sentarse en el asiento.

- ⚠ **ADVERTENCIA:** Distribuye su peso del cuerpo uniformemente en el rodador.
- ⚠ **ADVERTENCIA:** NO DEBE inclinarse sobre un lado del rodador.
- ⚠ **ADVERTENCIA:** Asegúrese que los frenos de mano paran al rodador y se aseguran en posición apropiadamente antes de ocupar o operar el rodador. Si los frenos de mano no operan correctamente, por favor de contactar a su distribuidor autorizado de productos GF inmediatamente para servicio.



## LIMPIANDO Y MANTENIMIENTO

Use una toalla limpia y suave con agua tibia para limpiar el marco, los mangos, y las ruedas del rodador. Enjuague y deja que se seca al aire libre.

**▲ AVISO: NO DEBE usar solventes o otras soluciones de limpiar para limpiar el marco o la fábrica de este producto.**

Asegure que todos los tuercas, tornillo y tiradores están apretados semanalmente para asegurar que el rodador está seguro para usar.

**⚠ ADVERTENCIA: Revise el rodador semanalmente para función propio y uso. Si algún componente no está trabajando correctamente o se parece usado, contacte a su distribuidor autorizado de productos GF para reparación y/o partes reemplazados.**

**⚠ ADVERTENCIA: Uso de partes de reemplace que no son de Lumex® puede cambiar la estructura del rodador, puede ser que la garantía se hace inválida, y causar una condición peligroso resultando en herida seria personal.**

## TRANSPORTE Y ALMACENAJE

El rodador es diseñado para doblar y almacenaje fácil.

### Para Doblar el Rodador para Transporte

1. Jale la correa en el medio del asiento para retirar el asiento de las barras de soporte del asiento.
2. Apreté los mangos juntos; el rodador se dobla fácilmente para transporte.

### Para Guardar

1. Ajuste la altura del mango a la posición mas baja.
2. Jale la correa en el medio del asiento para retirar el asiento de las barras de soporte del asiento.
3. Ponga el rodador en el piso cuando está doblando las ruedas delanteras.
4. Remueve las perillas de cierre delanteras: gire las perillas en sentido antihorario, retírelas y guárdelas con el rodador. Doble las ruedas delanteras como se muestra a la derecha.
5. No es necesario que retira la bolsa de almacenaje del rodador.
6. Para largos períodos de almacenamiento, retire el respaldo del marco deslizando la llave del marco desde el espacio del respaldo a cada lado.



## ESPECIFICACIONES

<b>Dimension</b> <b>↓</b>	<b>Número del Modelo</b>	
	<b>LX5000</b>	<b>LX5000LX</b>
<b>Anchura Dentro de los Mangos</b>	17" (431 mm)	17" (431 mm)
<b>Anchura Total</b>	26" (665 mm)	26" (665 mm)
<b>Anchura Total Plegado en Posición Vertical</b>	13" (330 mm)	13" (330 mm)
<b>Profundidad Total</b>	28.5" (723 mm)	28.5" (723 mm)
<b>Profundidad Plegada Hacia Abajo Plana</b>	36.4" (925 mm)	36.4" (925 mm)
<b>Altura Mínima de los Mangos</b>	33" (836 mm)	37" (935 mm)
<b>Altura Maxima de los Mangos</b>	38" (956 mm)	42" (1060 mm)
<b>Altura del Asiento hasta el Suelo</b>	21.8" (556 mm)	26" (660 mm)
<b>Altura Aproximada de Usuario Deseado</b>	5'4" - 6'2"	6'2" - 6'8"
<b>Capacidad máxima de Peso, DISTRIBUIDO UNIFORMEMENTE</b>	300 lb (136 kg)	300 lb (136 kg)
<b>Peso del Producto</b>	18.5 lb (8.4 kg)	19.1 lb (8.7 kg)
<b>Anchura del Asiento</b>	18" (460 mm)	18" (460 mm)
<b>Profundidad del Asiento</b>	9.4" (239 mm)	9.4" (239 mm)
<b>Dimensiones de la Rueda</b>	8" x 1.5" (201 mm x 38 mm)	8" x 1.5" (201 mm x 38 mm)

# **GARANTÍA LIMITADA**

## **AMBITO DE GARANTÍA**

GF Health Products, Inc. ("GF") garantiza al comprador original o arrendatario (cualquiera es el "Cliente") solamente, que va reemplazar o reparar componentes, a la decisión solo de GF, cuales son defectos en material o calidad utilizado normalmente y con servicio. La garantía es para partes solamente y no incluye fuerza laboral o el costo de transporte. Todas garantías son condicionales por el uso apropiado del producto estrictamente en acuerdo con las instrucciones aplicables de GF, incluyendo uso apropiado y mantenimiento. Producto provisto a usuarios como réntales deben ser serviciados por el proveedor y inspeccionado antes de entrega. Cada usuario debe ser preparado en la operación y seguridad de este producto antes de uso. Esta garantía limitada no es transferible. Los componentes garantizados y los períodos se establecen abajo:

Marco: 5 años

Otras partes: 1 año

El período de garantía se comienza en la fecha de transporte al Cliente a menos que haya una fecha de expiración en el componente en cual la garantía se expira en la período de garantía o la fecha de expiración.

## **OBTENIENDO SERVICIO DE GARANTÍA**

La garantía limitada solamente aplica a defectos reportados al Distribuidor de quien el Cliente compro el producto y quienes ellos en turno notifica al equipo de Servicio de Cliente de GF dentro el período de garantía aplicable en cuanto será examinado por GF o un representante autorizado para probar el producto sobre garantía. Falta de seguir las instrucciones específicas resultara en rechazo de la reclamación de garantía. Si no hay Distribuidor, debes llamar a GF directamente llamando 1-770-368-4700, mandando fax a 1-770-368-2386 o por email a [cs@grahamfield.com](mailto:cs@grahamfield.com). Direcciones específicos se van a dar por el Representante de Servicio De Clientes.

## **EXCLUSIONES**

La garantía no cubre y GF no será responsable de lo siguiente:

- 1) Defectos, daños u otras condiciones causadas, en su totalidad o en parte, por el mal uso, abuso, negligencia, alteración, accidentes, daños durante el transporte, manipulación indebida o dejar de solicitar y obtener la reparación o el reemplazo de una manera oportuna;
- 2) Productos que no se instalen, utilicen, limpien y mantengan de manera apropiada, como se requiere en el manual oficial aplicable para el producto;
- 3) Productos que se consideran que no son de naturaleza duradera, incluyendo, pero sin limitarse a: ruedas, filtros, fusibles, juntas, lubricantes, y gráficos;
- 4) Accesorios o piezas no suministradas por GF;
- 5) Cargos por concepto de ajustes, reparaciones, piezas de recambio, instalación u otro trabajo realizado en o relacionados con tales productos que no estén autorizados expresamente por escrito, de antemano, por GF;
- 6) Cualquier gasto de mano de obra o de envío que se incurra en la instalación de la pieza de reemplazo o la reparación;
- 7) Costos y gastos del mantenimiento y limpieza regular; y
- 8) Representaciones y garantías hechas por cualquier persona o entidad que no sea GF.

## **GARANTÍA ENTERO, REMEDIO EXCLUSIVO Y DESCARGO DE DAÑOS CONSIGUIENTE**

ESTA GARANTÍA ES LA UNICA GARANTÍA DE GF Y ES EN VEZ DE TODAS OTRAS GARANTÍAS, EXPRESIDAS O IMPLICITADAS. GF NO HACE GARANTÍAS ENTENDIDOS DE CUALQUIERA MANERA INCLUYENDO GARANTÍAS ENTENDIDOS DE COMERCIALIZACIÓN O IDONEIDAD PARA UN PREPÓSITO PARTICULAR. SI UN MODELO Y MUESTRA SE LE ENSEÑO A UN CLIENTE, TAL MODELO O MUESTRA FUE UTILIZADO SOLAMENTE PARA ILUSTRAR EL TIPO GENERAL Y CALIDAD DEL PRODUCTO Y NO PARA REPRESENTAR QUE EL PRODUCTO SE CONFORME CON ESE MODELO Y MUESTRA EN TODOS RESPETOS. TODA RESPONSABILIDAD DE GF POR CUALQUIER PRODUCTO Y SERVICIO PROVEÍDO ES LIMITADA AL COSTO DEL PRODUCTO EN LA RECLAMACIÓN. EN NO EVENTO EN CONTRATO, INDEMNIZACIÓN, GARANTÍA, NEGLIGENCIA, RESPONSABILIDAD ESTRICTA O OTRO QUE GF SERÁ RESPONSABLE POR CUALQUIER DAÑO DIRECTO, ESPECIAL, INDIRECTO, INCIDENTAL, EJEMPLAR O CONSIGUIENTES INCLUYENDO PERO NO LIMITADO A: DAÑOS PARA PERDIDA DE BENEFICIO O GANANCIA, PERDIDA DE USO, INACTIVO, O SALARIOS DE EMPLEADOS O TRABAJADORES CONTRACTORES, PAGOS O BENEFICIOS.

## **NOTAS:**

- 1) Se pueden aplicar términos y condiciones adicionales.
- 2) Las reclamaciones de flete se deben anotar en los documentos de embarque apropiados y deben hacerse con inmediatez. Los requisitos específicos para las reclamaciones de fletes se rigen por regulaciones internacionales, federales y estatales. El incumplimiento de estas regulaciones podría resultar en la denegación de la reclamación de flete. GF le ayudará en la presentación de la reclamación de flete.
- 3) Las reclamaciones de embarques con faltantes se deben realizar en un plazo de tres (3) días de la fecha de la factura.



**1.770.368.4700**

La información contenida en este documento está sujeta a cambios.  
La información más actualizada y completa del producto se puede encontrar en nuestra página web.  
[www.grahamfield.com](http://www.grahamfield.com)

Follow us on   

© 2017, GF Health Products, Inc. Todos los derechos reservados.  
Graham-Field y Lumex son marcas de  
GF Health Products, Inc., One Graham-Field Way, Atlanta GA 30340-3140  
GF Health Products, Inc. es una empresa certificada ISO 13485.

Fabricado para GF Health Products, Inc.  
Fabricado en China