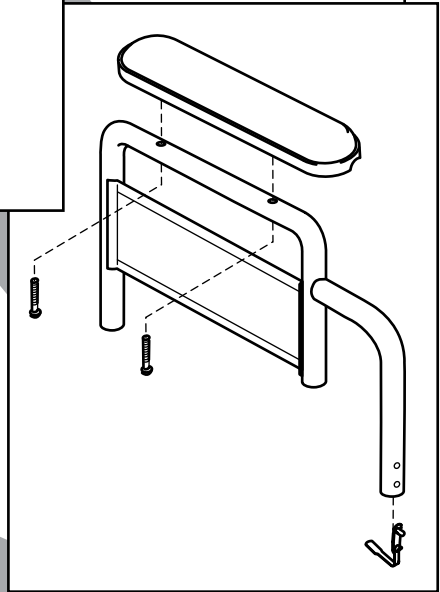
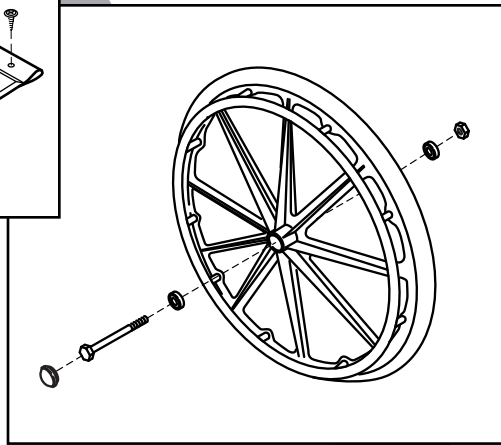
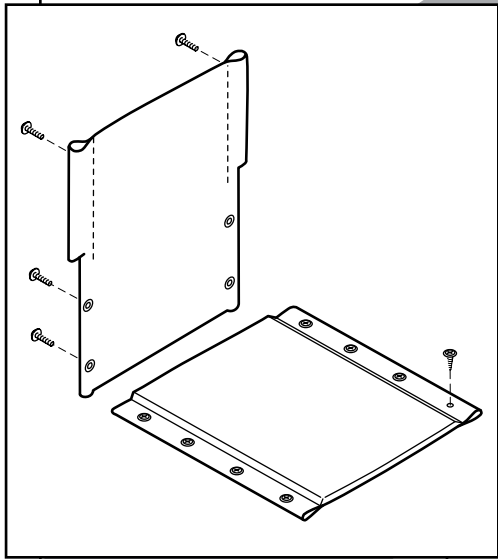




PARTS CATALOG



CONTENTS

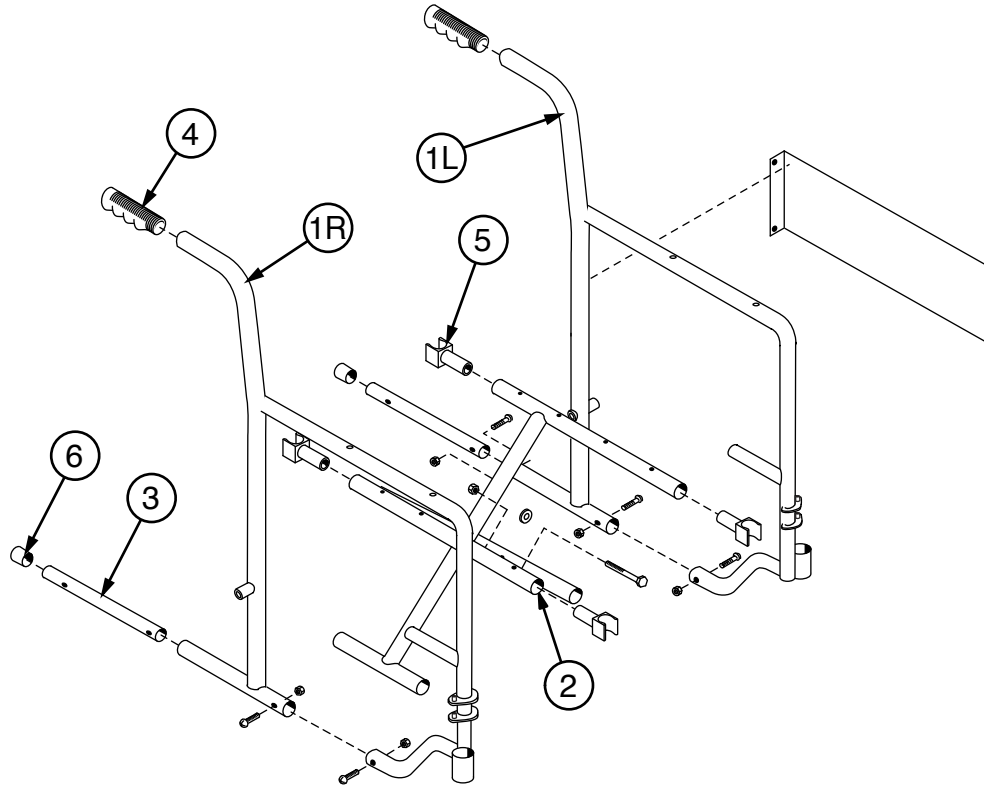
SIDEFRA ^M E (FIXED ARM), CROSSBRACE, ARM PAD KIT	3
SIDEFRA ^M E (DETACHABLE ARM), CROSSBRACE.....	4
ARM, DETACHABLE	5
CASTER.....	5
REAR WHEEL	5
FRONT RIGGING, DETACHABLE	6
UPHOLSTERY	7
ACCESSORIES	7

TO ORDER

Tel: 1.770.368.4700 • Fax: 1.770.368.2386

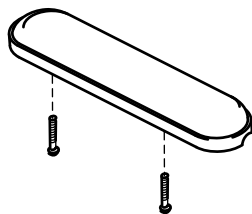
Returns: Parts may not be returned without prior authorization from GF Health Products, Inc. Custom parts cannot be returned for credit. Please refer to GF Health Products, Inc. [Terms and Conditions](#) for further information.

SIDEFRADE (FIXED ARM), CROSSBRACE, ARM PAD KIT



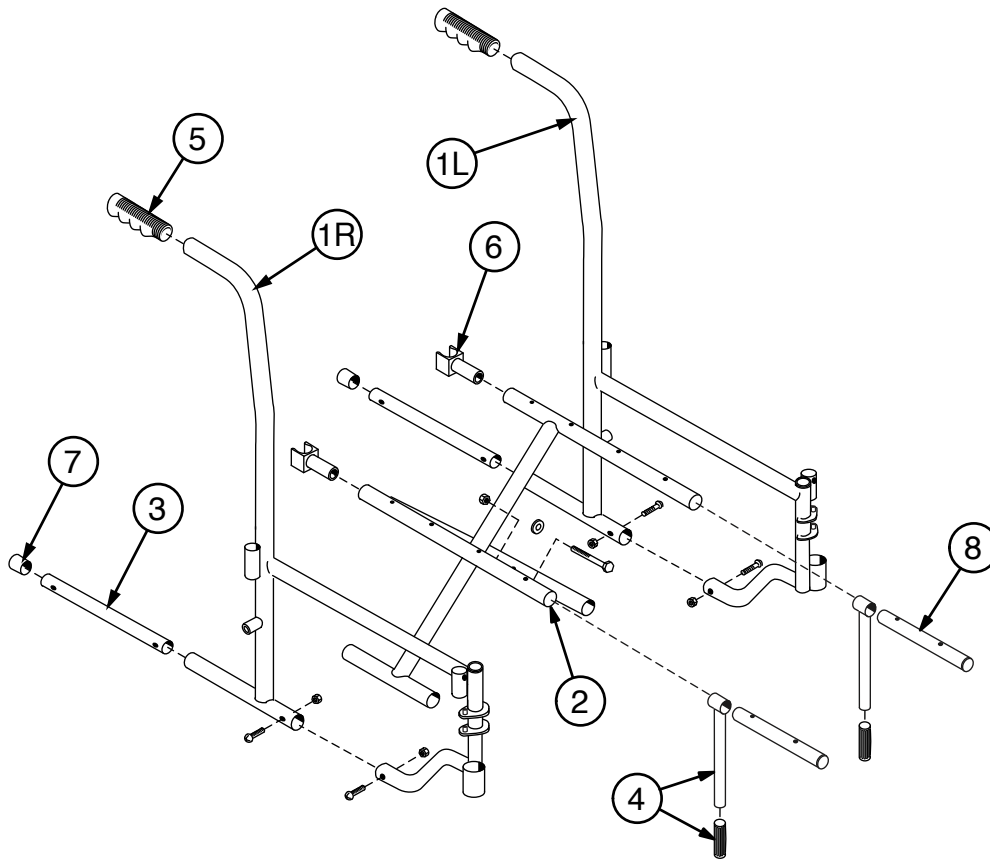
- 1 Sideframe, fixed arm:**
Includes side panel
- Right 90763501B
 - Left 90763502B
- 2 Crossbrace, pair:**
Includes center bolt and nut
- 16" W 907635H1B
 - 18" W 907635H2B
- 3 Bottom inner rail kit:** Includes bottom inner rail (2 each) and screw and nut that hold bottom inner rail (4 each)..... 90763503

- 4 Grip (10 each) 90763005**
- 5 Seat rail guide (4 each) 90763004**
- 6 Tipping sleeve (10 each)..... 90763006**



- Arm pad kit:** Includes 2 black full-length arm pads and mounting screw..... 90763524B

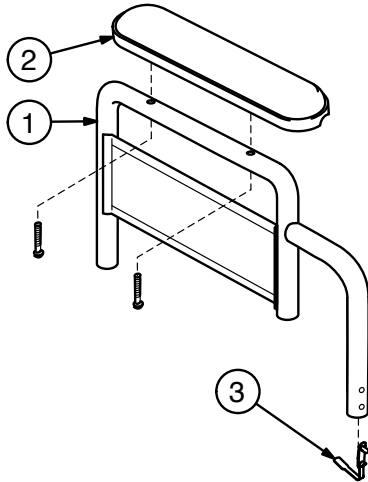
SIDEFAME (DETACHABLE ARM), CROSSBRACE



1 Sideframe, detachable arm	
Right	90763511B
Left	90763512B
2 Crossbrace, pair: Includes center bolt and nut	
16" W	907635C1B
18" W	907635C2B
20" W	907635C3B
3 Bottom inner rail kit: Includes bottom inner rail (2 each); screw and nut that hold bottom inner rail (4 each); and sleeve (2 each)	
.....	90763503

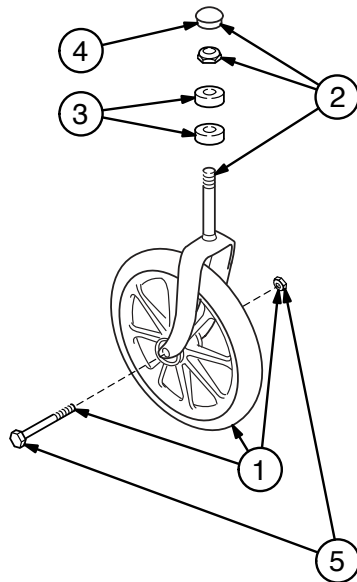
4 Seat slide kit:	
Single telescopic: Includes seat slide (2 each) and bushing (2 each)	
16" and 18" W	90763513
Double telescopic: Includes seat slide (2 each)	
20" W	90763517
5 Grip (10 each)	90763005
6 Seat rail guide, rear (2 each)	90763015
7 Tipping sleeve (10 each)	90763006
8 Inner seat rail (2 each)	90763514

ARM, DETACHABLE



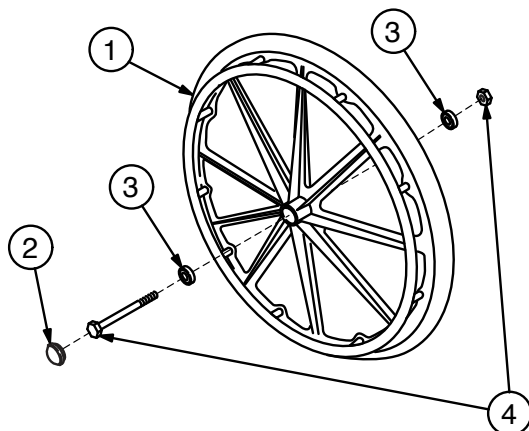
- 1 Arm, detachable fixed-height, pair:
Includes right and left arm with side
panel and spring lock (does not
include arm pad)
 - Desk length..... 90763020B
 - Full length..... 90763021B
- 2 Arm pad, pair: Includes
two black arm pads
and mounting screws
 - Desk length..... 90763022B
 - Full length..... 90763023B
- 3 Spring lock (10 each) 90763024

CASTER



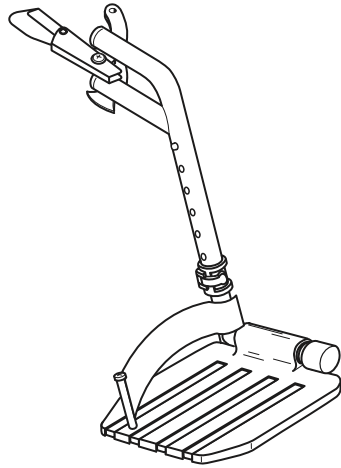
- Complete caster (fork and wheel),
8" x 1" solid rubber tire..... 90763540
- 1 Caster wheel, axle and nut 90763541
- 2 Caster fork, stem nut and dust cap 90763542
- 3 Caster stem bearing (10 each) 90763543
- 4 Caster dust cap (10 each)..... 90763544
- 5 Caster axle and nut (10 each)..... 90763545

REAR WHEEL



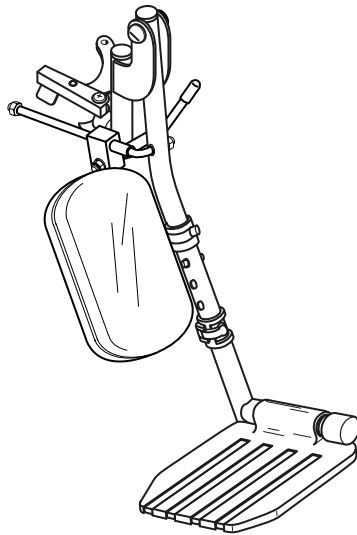
- 1 Rear wheel with handrim, 24" x 1",
solid rubber tire: Includes hub cap
and bearing; does not include axle
or nut 90763550
- 2 Hub cap (10 each)..... 90763051
- 3 Wheel bearing (10 each) 90763552
- 4 Rear axle and nut (10 each)
 - Fixed-arm sideframe 90763553
 - Detachable-arm sideframe 90763554

FRONT RIGGING, DETACHABLE



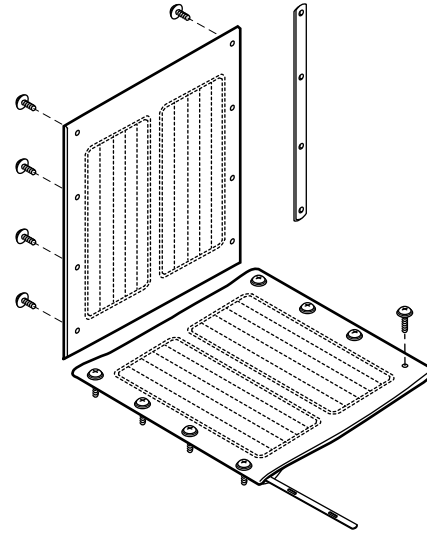
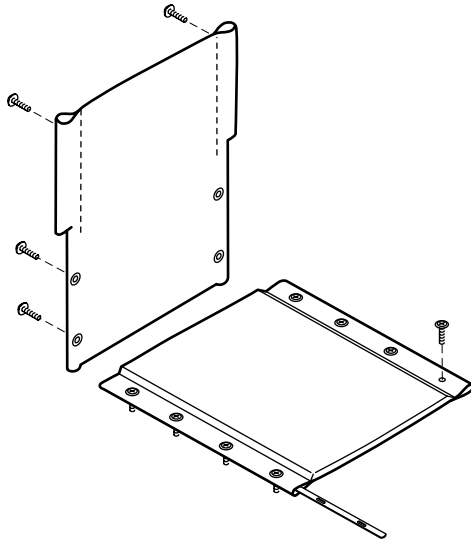
Footrest, pair, all widths
Includes right and left hanger with release
and composite footplate with extension
and heel loop 90763030B

Composite footplate, pair
(Fits all front rigging) 90763033B



Low-pivot elevating legrest, pair, all widths
Includes right and left hanger with release,
composite footplate with extension, and
legrest panel (does not include
heel loop) 90763031B

Elevating legrest panel kit
(Fits all elevating legrests)
Includes 2 black padded panels
and hardware90763032B



NYLON UPHOLSTERY

Back upholstery, black, with built-in chart holder: Includes hardware

- Nylon, fixed arm, 16" wide 907635D1B
- Nylon, fixed arm, 18" wide 907635D2B
- Nylon, detachable arm, 16" wide... 907635A1B
- Nylon, detachable arm, 18" wide... 907635A2B
- Nylon, detachable arm, 20" wide... 907635A3B

VINYL UPHOLSTERY

Back upholstery, black, with built-in chart holder: Includes hardware

- Vinyl, fixed arm, 16" wide..... 907635F1B
- Vinyl, fixed arm, 18" wide..... 907635F2B
- Vinyl, detachable arm, 16" wide.... 907635E1B
- Vinyl, detachable arm, 18" wide.... 907635E2B
- Vinyl, detachable arm, 20" wide.... 907635E3B

Seat upholstery, black: Includes mounting strips and hardware

- Nylon, 16" wide 907635B1B
- Nylon, 18" wide 907635B2B
- Nylon, 20" wide 907635B3B

Seat upholstery, black: Includes mounting strips and hardware

- Vinyl, 16" wide..... 907635G1B
- Vinyl, 18" wide..... 907635G2B
- Vinyl, 20" wide..... 907635G3B

ACCESSORIES

Advantage LX accessories (not shown)

- 1 Heel loop, pair..... 90763064
- 2 Wheel lock, pair: Includes rubber tips
 - Fixed-arm sideframe**
 - Push to lock 90763070
 - Pull to lock 90763071
 - Detachable-arm sideframe**
 - Push to lock 90763060
 - Pull to lock 90763061
- 3 Rubber tip, wheel lock (10 each)..... 90763063

- 4 Wheel lock extension, pair90763062
- 5 Positioning belt (metal buckle) 92133040
- 6 Anti-Fold bar 92523850
- 7 O2-IV holder B10320F
- 8 O2 cylinder holder..... B10325
- 9 Anti-Tippers, pair:
 - Fixed-arm sideframe..... 90763566
 - Detachable-arm sideframe 90763565



1.770.368.4700

Information contained herein is subject to change.
The most current and complete product information can be found on our website.
www.grahamfield.com

Follow us on  

© 2017, GF Health Products, Inc. All Rights Reserved.
Advantage, E&J, Everest & Jennings, and Graham-Field
are trademarks of GF Health Products, Inc.,
One Graham-Field Way, Atlanta GA 30340-3140
GF Health Products, Inc. is an ISO 13485 Certified Company.