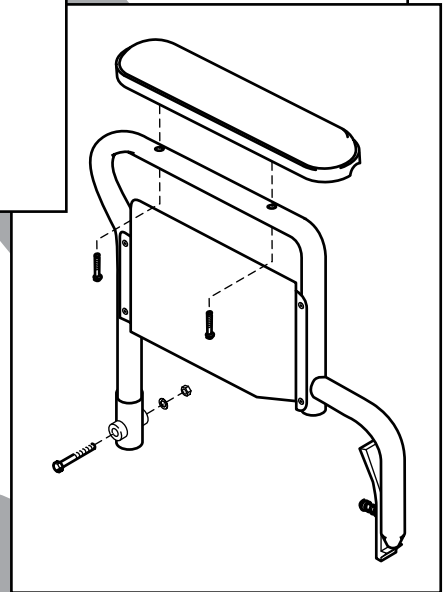
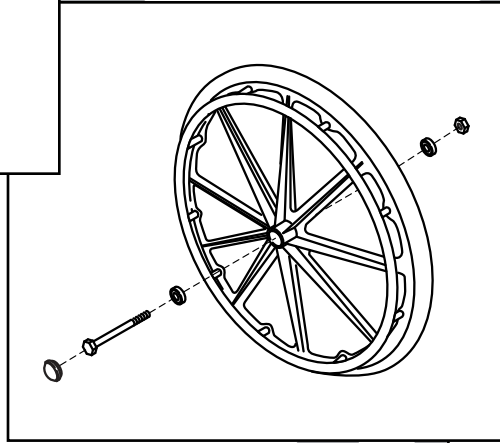
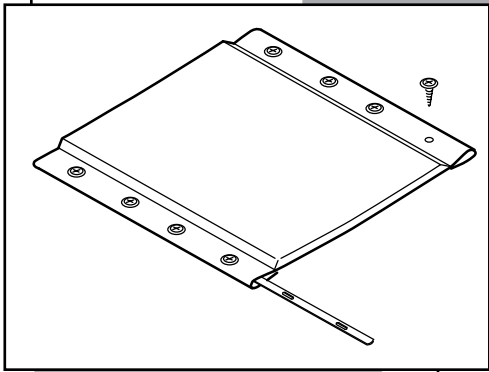


Traveler[®] L4

PARTS CATALOG



CONTENTS

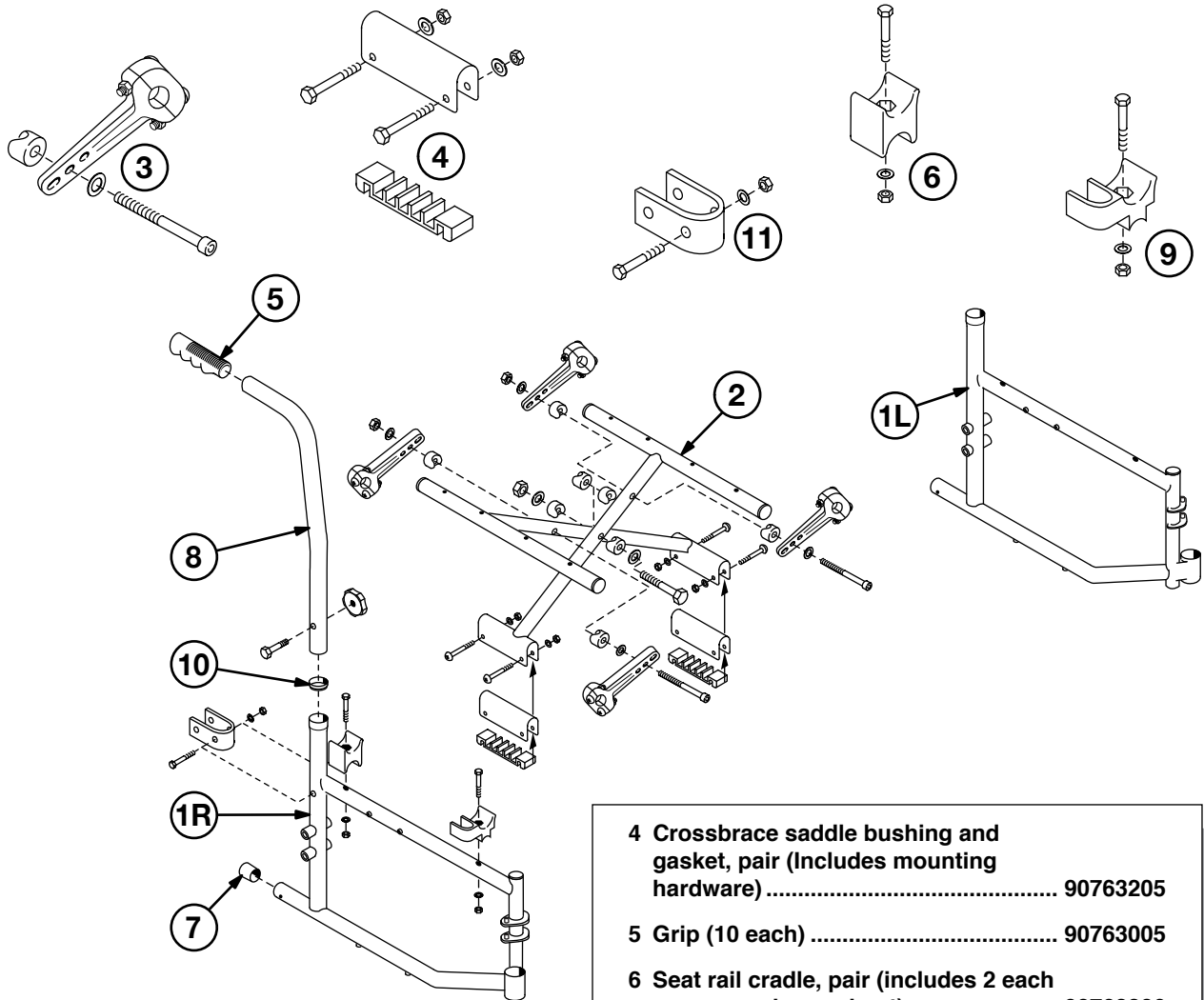
SIDEFAME AND CROSSBRACE	3
ARM: FLIP-BACK FIXED-HEIGHT	4
ARM: FLIP-BACK ADJUSTABLE-HEIGHT	4
REAR WHEEL	5
CASTER.....	5
FRONT RIGGING, DETACHABLE	6
UPHOLSTERY	7
ACCESSORIES	7

TO ORDER

Tel: 1.770.368.4700 • Fax: 1.770.368.2386

Returns: Parts may not be returned without prior authorization from GF Health Products, Inc. Custom parts cannot be returned for credit. Please refer to GF Health Products, Inc. [Terms and Conditions](#) for further information.

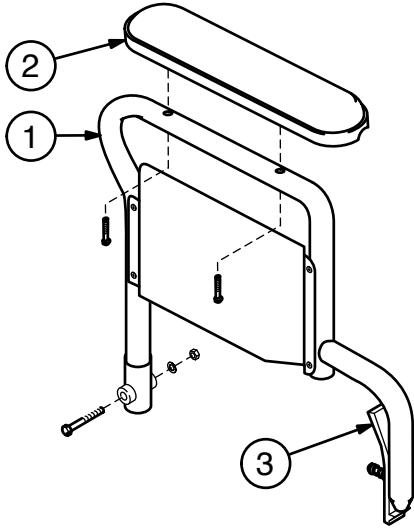
SIDEFRAME AND CROSSBRACE



1 Sideframe, all widths	
16" deep Right.....	90763201
16" deep Left	90763202
2 Crossbrace, pair (Includes center bolt and nut)	
16" W x 16" deep.....	907632C1
18" W x 16" deep.....	907632C2
20" W x 16" deep.....	907632C3
18" W x 18" deep.....	907632E2
20" W x 18" deep.....	907632E3
3 Crossbrace link, set of 4 (includes mounting hardware)	
16" W x 16" deep.....	907632D1
18" W x 16" deep.....	907632D1
20" W x 16" deep.....	907632D3
18" W x 18" deep.....	907632D1
20" W x 18" deep.....	907632D3

4 Crossbrace saddle bushing and gasket, pair (Includes mounting hardware)	90763205
5 Grip (10 each)	90763005
6 Seat rail cradle, pair (includes 2 each screw, washer and nut).....	90763206
7 Tipping sleeve (10 each).....	90763006
8A Backpost, knob and screw, pair *	90763207B
8B Backpost, knob and screw, pair *	90763207
<i>* Note: Backpost 8A is for use on Traveler L4 wheelchairs that have a Serial Number higher than HYT072WC. Each backpost has two upholstery-mounting holes.</i>	
<i>Backpost 8B is for use on Traveler L4 wheelchairs that have a Serial Number lower than HYT072WC. Each backpost has one upholstery-mounting hole.</i>	
9 Seat rail and arm cradle, pair (includes 2 each screw, washer and nut)	90763208
10 Mounting ring (10 each).....	90763209
11 Arm bracket, pair (includes 2 each screw, washer and nut).....	90763210

ARM: FLIP-BACK FIXED-HEIGHT

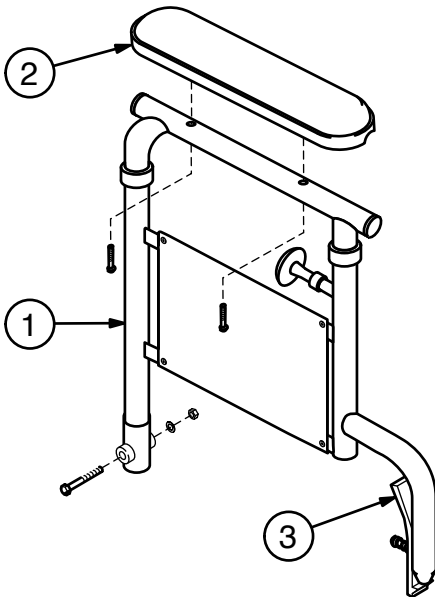


- 1 Arm, flip-back fixed-height, pair (includes right and left arm with mounting hardware, side panel, and latch; does not include arm pad)
 - Desk length (shown)... 90763220
 - Full length..... 90763221

- 2 Arm pad, pair (includes two black arm pads and mounting screws)
 - Desk length..... 90763022
 - Full length..... 90763023

- 3 Arm latch, pair, with hardware 90763223

ARM: FLIP-BACK ADJUSTABLE-HEIGHT

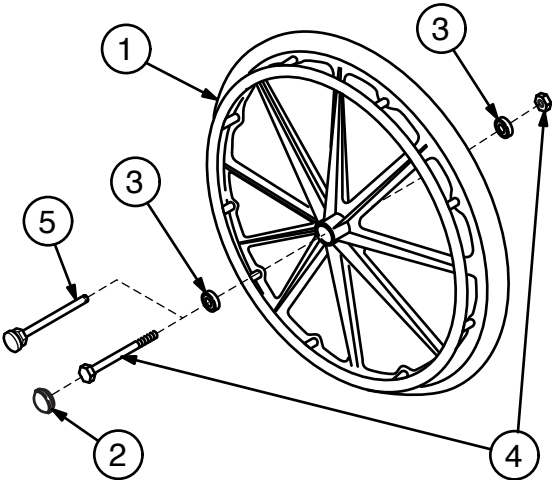


- 1 Arm, flip-back adjustable-height, pair (includes right and left arm with mounting hardware, side panel, and latch; does not include arm pad)
 - Desk length (shown)... 90763225
 - Full length..... 90763226

- 2 Arm pad, pair (includes two black arm pads and mounting screws)
 - Desk length..... 90763022
 - Full length..... 90763023

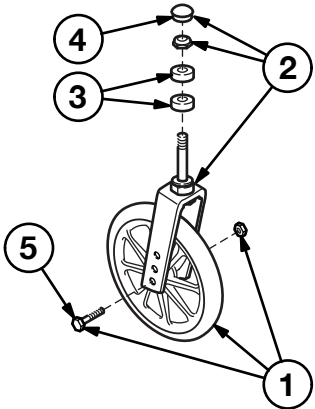
- 3 Arm latch, pair, with hardware 90763223

REAR WHEEL



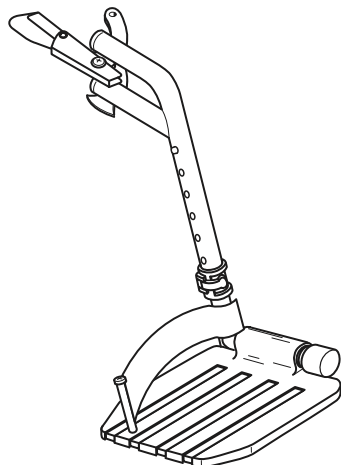
1 Rear wheel with handrim, 24" x 1", polyurethane tire (includes hub cap and bearing; does not include axle or nut).....	90763150
2 Hub cap (10 each).....	90763051
3 Wheel bearing (10 each).....	90763052
4 Rear axle and nut (10 each).....	90763053
5 Quick-Release axle: for use with adjustable-height-arm wheelchair model <u>only</u> (10 each)	90763252

CASTER



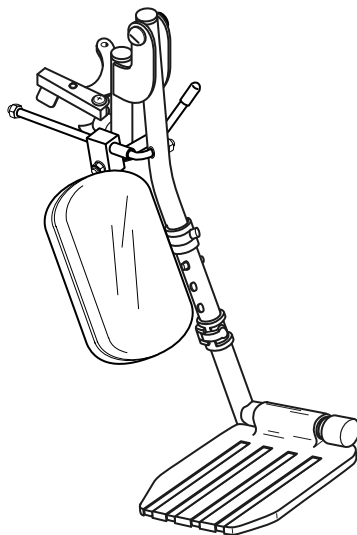
Complete caster (fork and wheel), 8" x 1" solid rubber tire.....	90763040
1 Caster wheel, axle and nut	90763041
2 Caster fork, stem nut and dust cap	90763042
3 Caster stem bearing (10 each)	90763043
4 Caster dust cap (10 each).....	90763044
5 Caster axle and nut (10 each).....	90763045

FRONT RIGGING, DETACHABLE



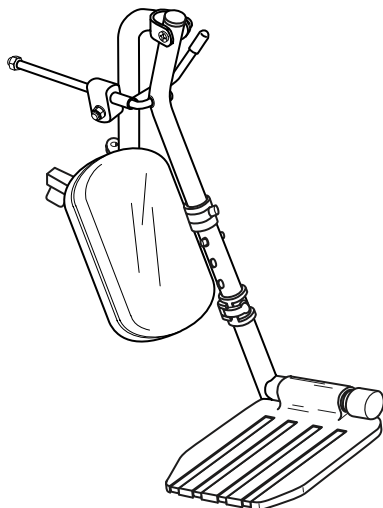
Footrest, pair, all widths
Includes right and left hanger with release
and composite footplate with extension
and heel loop 90763030

Composite footplate, pair
(Fits all front rigging) 90763033



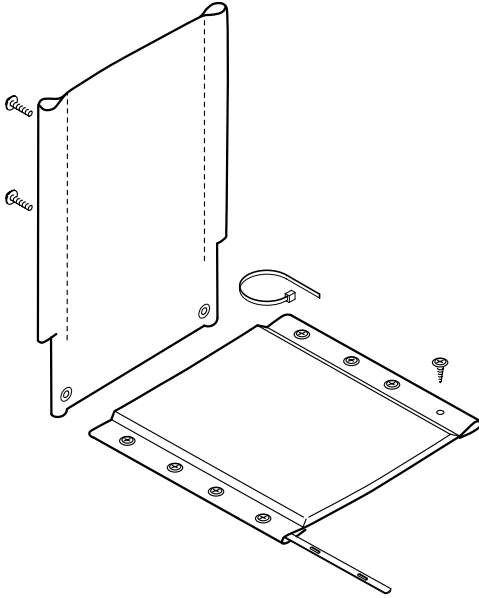
Low-pivot elevating legrest, pair, all widths
Includes right and left hanger with release,
composite footplate with extension, and
legrest panel (does not include
heel loop) 90763031

Elevating legrest panel kit
(Fits all elevating legrests)
Includes 2 black padded panels
and hardware90763032



High-pivot elevating legrest, pair, all widths
Includes right and left hanger with release,
aluminum footplate with extension, and
legrest panel (does not include
heel loop)90763435

UPHOLSTERY



Back upholstery, black nylon, and mounting hardware (includes replacement ties)

16" W.....	907632A1B
18" W.....	907632A2B
20" W.....	907632A3B

Note: Back upholstery listed above, shown at left, is for use on Traveler L4 wheelchairs that have a Serial Number higher than HYT072WC. This back upholstery has four mounting screws.

Back upholstery listed below is for use on Traveler L4 wheelchairs that have a Serial Number lower than HYT072WC. This back upholstery has two mounting screws.

Back upholstery, black nylon, and mounting hardware (includes replacement ties)

16" W.....	907632A1
18" W.....	907632A2
20" W.....	907632A3

Seat upholstery, black nylon, and mounting hardware

16" W x 16" D.....	907632B1
18" W x 16" D.....	907632B2
20" W x 16" D.....	907632B3
18" W x 18" D.....	907632F2
20" W x 18" D.....	907632F3

ACCESSORIES

Traveler L4 accessories (not shown)

1 Heel loop, pair.....	90763064
2 Wheel lock, pair (includes rubber tips)	
Push to lock.....	90763070
Pull to lock.....	90763071
3 Rubber tip, wheel lock (10 each).....	90763063
4 Wheel lock extension, pair	90763062
5 Positioning belt (metal buckle)	92133040
6 Anti-Fold bar	92523850
7 O2-IV holder	B10320F
8 O2 cylinder holder.....	B10325
9 Anti-Tippers, pair.....	90763230



1.770.368.4700

Information contained herein is subject to change.
The most current and complete product information can be found on our website.
www.grahamfield.com

Follow us on  

© 2009, GF Health Products, Inc. All Rights Reserved.
Everest & Jennings and Traveler are trademarks of GF Health Products, Inc.,
One Graham-Field Way, Atlanta GA 30340-3140

GF Health Products, Inc. is an ISO 13485 Certified Company.