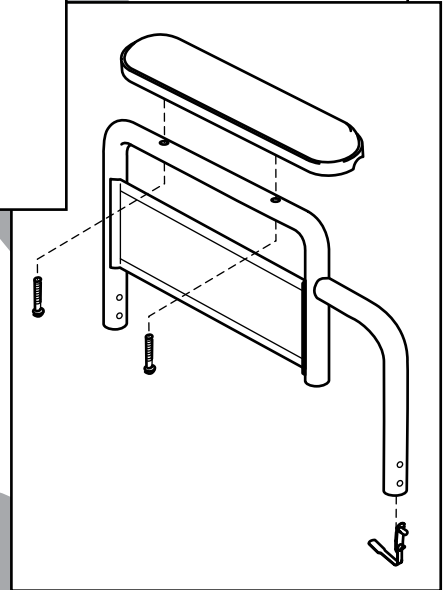
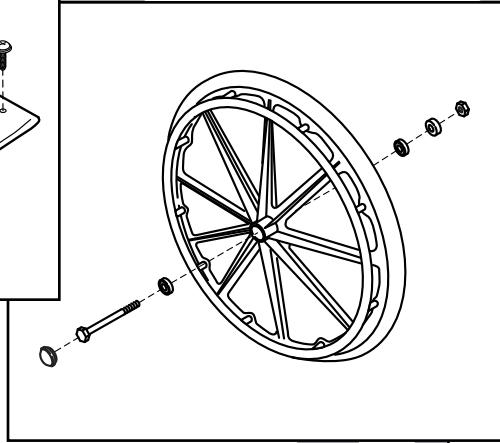
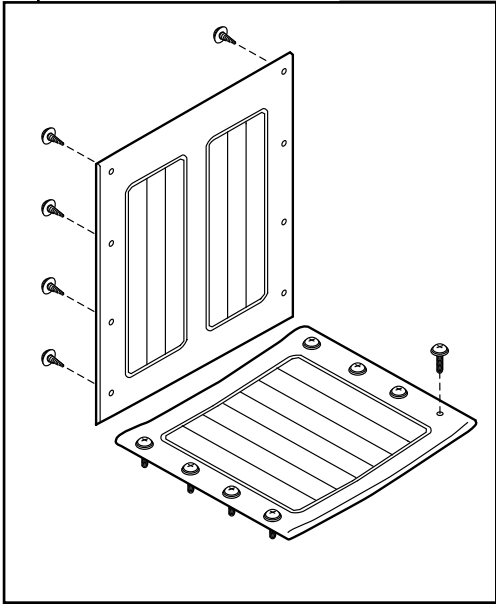


# **Traveler<sup>®</sup>** **SE**

## **PARTS CATALOG**



# CONTENTS

---

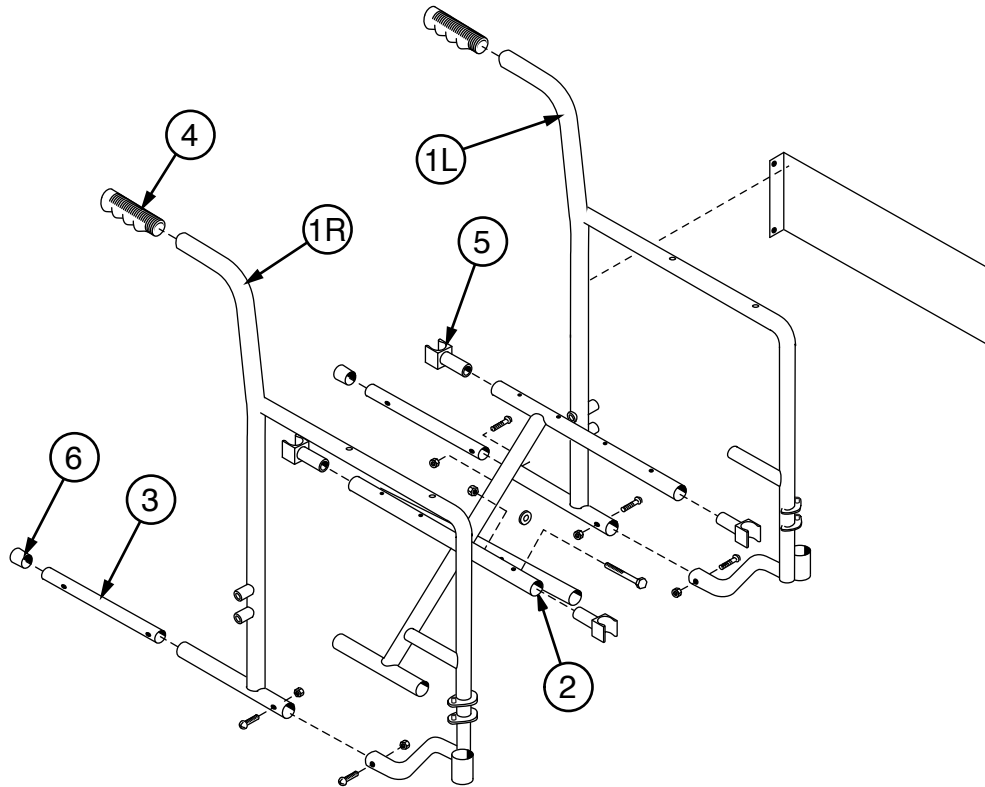
SIDEFAME (FIXED ARM), CROSSBRACE, ARM PAD KIT .....	3
SIDEFAME (DETACHABLE ARM), CROSSBRACE.....	4
ARM, DETACHABLE .....	5
CASTER.....	5
REAR WHEEL .....	6
FRONT RIGGING, DETACHABLE .....	6
UPHOLSTERY .....	7
ACCESSORIES .....	7

## TO ORDER

Tel: 1.770.368.4700 • Fax: 1.770.368.2386

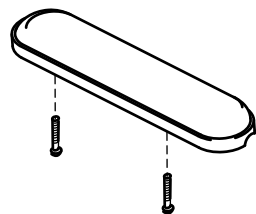
Returns: Parts may not be returned without prior authorization from GF Health Products, Inc. Custom parts cannot be returned for credit. Please refer to GF Health Products, Inc. [Terms and Conditions](#) for further information.

# SIDEFAME (FIXED ARM), CROSSBRACE, ARM PAD KIT



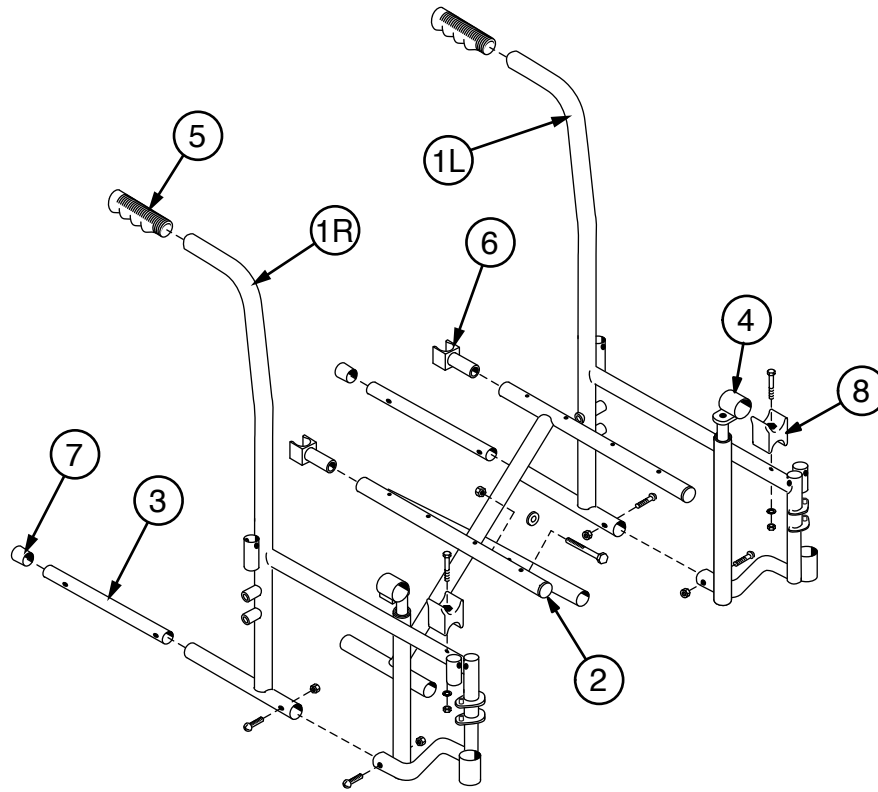
<b>1 Sideframe, fixed arm, all widths (includes side panel)</b>	
Right .....	90763001
Left .....	90763002
<b>2 Crossbrace, pair (includes center bolt and nut)</b>	
16" W .....	907630C1
18" W .....	907630C2

<b>3 Bottom inner rail kit (includes bottom inner rail (2 each) and screw and nut that hold bottom inner rail (4 each))</b>	
.....	90763003
<b>4 Grip (10 each)</b> .....	90763005
<b>5 Seat rail guide (4 each)</b> .....	90763004
<b>6 Tipping sleeve (10 each)</b> .....	90763006



<b>Arm pad kit</b>	
Includes 2 black full length arm pads and mounting screws .....	
.....	90763023

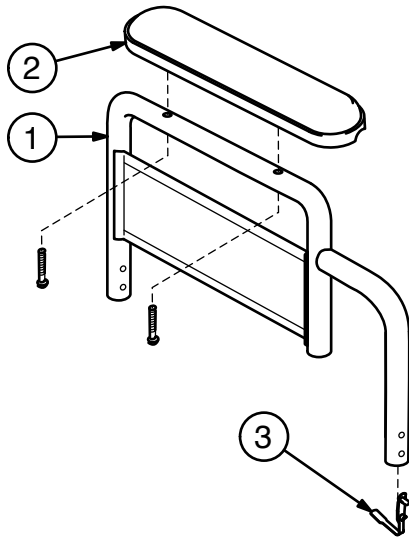
# SIDEFRADE (DETACHABLE ARM), CROSSBRACE



<b>1 Sideframe, detachable arm</b>	
16" x 16", 18" x 16", 20" x 16"	
Right .....	90763011
Left .....	90763012
20" x 18"	
Right .....	90763113
Left .....	90763114
<b>2 Crossbrace, pair (Includes center bolt and nut)</b>	
16" W x 16" D .....	907630C1
18" W x 16" D .....	907630C2
20" W x 16" D .....	907630C3
20" W x 18" D .....	907631D3

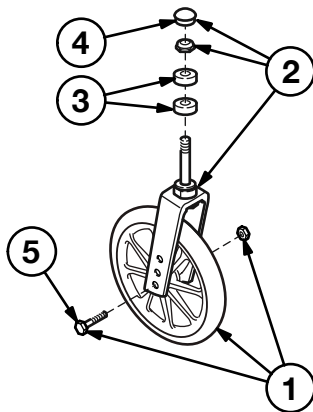
<b>3 Bottom inner rail kit (includes bottom inner rail (2 each) and screw and nut that hold bottom inner rail (4 each))</b>	90763003
<b>4 Seat slide (2 each)</b>	90763013
<b>5 Grip (10 each)</b>	90763005
<b>6 Seat rail guide, rear (2 each)</b>	90763015
<b>7 Tipping sleeve (10 each)</b>	90763006
<b>8 Seat rail, cradle, screw, washer and nut, front (2 each)</b>	90763403

# ARM, DETACHABLE



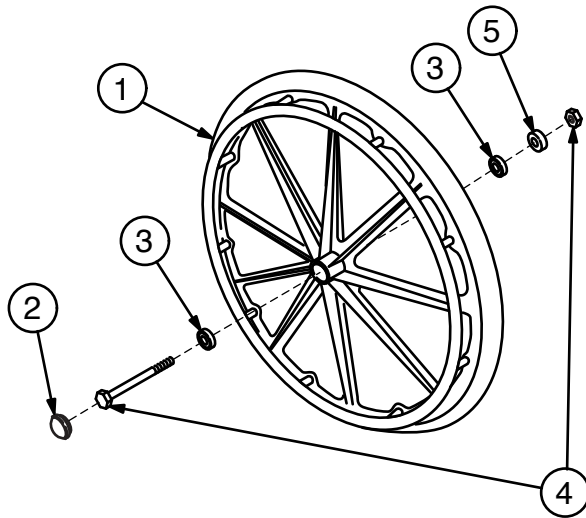
- 1 Arm, detachable fixed-height, pair  
(includes right and left arm with side  
panel and spring lock (does not  
include arm pad))
  - Desk length..... 90763020
  - Full length..... 90763021
- 2 Arm pad, pair (includes two black arm  
pads and mounting screws)
  - Desk length..... 90763022
  - Full length..... 90763023
- 3 Spring lock (10 each) ..... 90763024

# CASTER



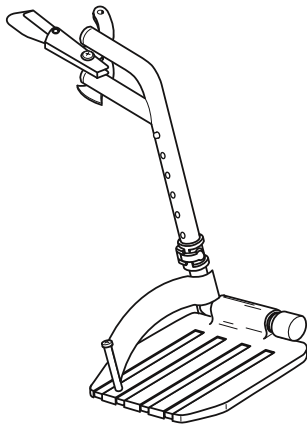
- Complete caster (fork and wheel),  
8" x 1" solid rubber tire..... 90763040
- 1 Caster wheel, axle and nut ..... 90763041
- 2 Caster fork, stem nut and dust cap .... 90763042
- 3 Caster stem bearing (10 each) ..... 90763043
- 4 Caster dust cap (10 each)..... 90763044
- 5 Caster axle and nut (10 each)..... 90763045

# REAR WHEEL



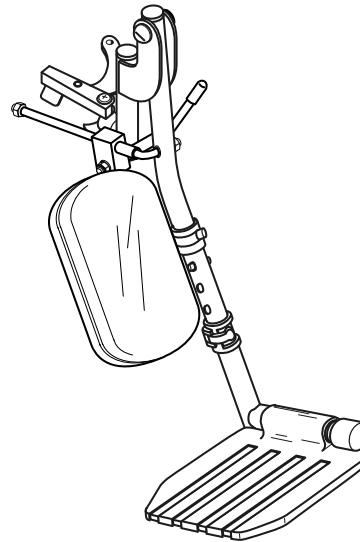
1 Rear wheel with handrim, 24" x 1", solid rubber tire (includes hub cap and bearing; does not include axle or nut).....	90763050
2 Hub cap (10 each).....	90763051
3 Wheel bearing (10 each) .....	90763052
4 Rear axle and nut (10 each)	
Fixed-arm sideframe .....	90763053
Detachable-arm sideframe .....	90763054
5 Spacer (10 each).....	90763055

# FRONT RIGGING, DETACHABLE



**Footrest, pair, all widths**  
Includes right and left hanger with release and composite footplate with extension and heel loop ..... 90763030

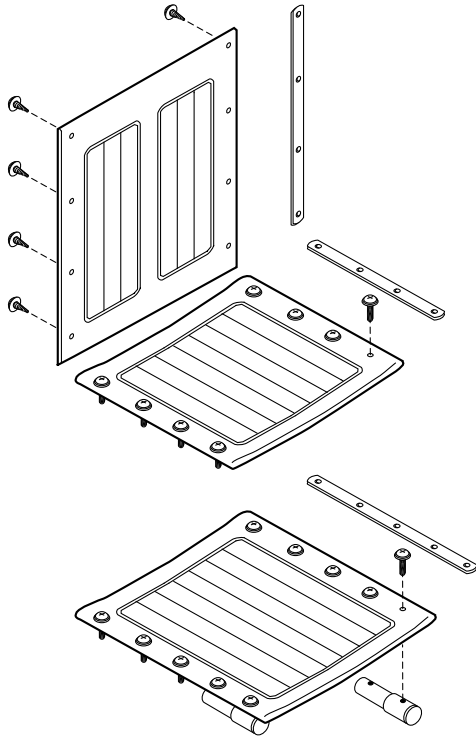
**Composite footplate, pair**  
(Fits all front rigging) ..... 90763033



**Low-pivot elevating legrest, pair, all widths**  
Includes right and left hanger with release, composite footplate with extension, and legrest panel (does not include heel loop) ..... 90763031

**Elevating legrest panel kit**  
(Fits all elevating legrests)  
Includes 2 black padded panels and hardware .....90763032

# UPHOLSTERY



Back upholstery, black leatherette, with built-in chart holder (includes mounting strips and hardware)

16" W.....	907630A1
18" W.....	907630A2
20" W.....	907630A3

Seat upholstery black leatherette (includes mounting strips and hardware)

16" W x 16" D.....	907630B1
18" W x 16" D.....	907630B2
20" W x 16" D.....	907630B3
20" W x 18" D.....	907630L3

Seat upholstery extension, 18" deep (shown at bottom left), black leatherette (includes seat extension tubes, 18" mounting strips and hardware)

16" W x 18" D.....	907630K1
18" W x 18" D.....	907630K2
20" W x 18" D.....	907630K3

# ACCESSORIES

## Traveler SE accessories (not shown)

1 Heel loop, pair.....	90763064
2 Wheel lock, pair (includes rubber tips)	
Fixed-arm chair	
Push to lock .....	90763070
Pull to lock .....	90763071
Detachable-arm chair	
Push to lock .....	90763060
Pull to lock .....	90763061
3 Rubber tip, wheel lock (10 each).....	90763063
4 Wheel lock extension, pair .....	90763062
5 Positioning belt (metal buckle) .....	92133040
6 Anti-Fold bar .....	92523850
7 O2-IV holder .....	B10320F
8 O2 cylinder holder.....	B10325
9 Anti-Tippers (pair)	
20" seat height .....	90763065
18" seat height .....	90763066
10 Wheel and Handrim	
24" Pneumatic mag (each) .....	90763056



1.770.368.4700

Information contained herein is subject to change.

The most current and complete product information can be found on our website.

[www.grahamfield.com](http://www.grahamfield.com)

Follow us on



© 2008, GF Health Products, Inc. All Rights Reserved.

Everest & Jennings and Traveler are trademarks of GF Health Products, Inc.,  
One Graham-Field Way, Atlanta GA 30340-3140

GF Health Products, Inc. is an ISO 13485 Certified Company.