



BASIC AMERICAN
MEDICAL PRODUCTS

ZENITH
SERIES

Zenith 9000APS

Advanced Positioning System



INSTRUCTIONS FOR USE SERVICE MANUAL

*To avoid personal injury or damage to bed,
read all sections pertaining to the bed model before use.*

ETL/UL/CSA APPROVED
UL 60601-1
IEC 60601-2-38
CSA 22.2 601.1



This service manual covers the following Zenith 9000APS Models:

76" and 80" Full Electric with Pedal Lock Caster System and Grid Decks **APS98174**

76" and 80" Full Electric with Pedal Lock Caster System, Grid Decks, and Underbed Light **APS981741**

76" and 80" Full Electric with Pedal Lock Caster System, Grid Decks, Underbed Light,
and Onboard Battery Backup System **APS981742**



BASIC AMERICAN
MEDICAL PRODUCTS

Basic American Medical Products

336 Trowbridge Drive
Fond du Lac, WI 54937

For Zenith 7000 Bed service parts,
contact our Customer Service Department
at 770-368-4700

Manufactured by:
GF Health Products, Inc.
2935 Northeast Parkway
Atlanta, GA 30360
www.grahamfield.com

Made in the USA

To order a Zenith 9000APS bed,
contact a GF Health Products, Inc. sales representative
at 770-368-4700

IMPORTANT NOTICE

GF Health Products, Inc. is not responsible for typographical errors.
All illustrations, specifications, packaging, and warranties contained in this Service Manual
are based on the latest product information available at the time of printing.
The most current product information can be found online at www.grahamfield.com.

Check all parts for shipping damage and test before using.
In case of damage, DO NOT USE.



TABLE OF CONTENTS

IMPORTANT SAFETY AND WARNING INFORMATION..... 4

- IMPORTANT SAFETY AND WARNING INFORMATION 5
- ENTRAPMENT AND COMPLIANCE INFORMATION..... 5
- RECOMMENDED MAINTENANCE 6
- OPERATING CONDITIONS..... 7
- STORAGE AND TRANSPORT CONDITIONS..... 7
- RFI (RADIO FREQUENCY INTERFERENCE) 7
- DISPOSAL OF EQUIPMENT AND ACCESSORIES 7

SECTION A: BED SETUP INSTRUCTIONS 8

- UNPACKING THE BED..... 8
- HEADBOARD AND FOOTBOARD ASSEMBLY 9
- STANDARD MATTRESS RETAINER INSTALLATION..... 10
- OPTIONAL WIREFORM WALLSAVER INSTALLATION..... 11
- OPTIONAL WALLSAVER ADAPTER BRACKET INSTALLATION — FOR USE WITH TRENDELENBURG AND REVERSE TRENDELENBURG FEATURE..... 12
- PLUGGING IN THE FOOTBOARD STAFF CONTROL 13
- 9000APS HAND CONTROL PENDANT OPERATION 14
- BED OPERATIONS - STAFF CONTROL PANEL 15
- BED OPERATIONS - CHAIR POSITION 16
- BED OPERATIONS - TRENDELENBURG/REVERSE TRENDELENBURG POSITION 17

SECTION B: ASSIST DEVICES..... 18

- OPTIONAL PIVOTING ASSIST BAR INSTALLATION AND OPERATION..... 18
- OPTIONAL PLASTIC HALF RAIL INSTALLATION AND OPERATION..... 19
- OPTIONAL TRAPEZE SUPPORT INSTALLATION 20

SECTION C: MECHANICAL AND ELECTRICAL INFORMATION..... 21






SECTION D: SERVICE/REPLACEMENT PARTS 26

SECTION E: DECK/MECHANICAL SERVICE PARTS..... 30

SECTION F: TROUBLESHOOTING 33

LIMITED WARRANTY 37

LABEL SYMBOL DEFINITIONS

				
Consult Accompanying Documents	Safe Working Load	Double Insulated	Protected Grounded Device	Type B Equipment and Applied Parts



IMPORTANT SAFETY AND WARNING INFORMATION



This product is a variable height, adjustable mattress platform, which will provide comfort and convenience for residents/patients and caregivers in long term care settings.



The **MAXIMUM SAFE WORKING LOAD** for the Zenith 9000APS Bed with weight evenly distributed, including bedding, resident/patient, support surface, and all accessories, is 600 lb.



NEVER operate the bed if a Power Cord or Plug is damaged or not working properly. Contact qualified Service Personnel for examination and repair. Always unplug the Power Cord before performing maintenance on the bed.



DO NOT open assemblies such as the Actuators, Hand Control Pendant, or Control Box. If unauthorized personnel perform work on these components, the manufacturer's warranty becomes void.



DO NOT use unauthorized parts, accessories, or adapters other than those specified/authorized by GF Health Products, Inc.



When operating the HI/LO, Knee, or Back Functions of the bed, **ALWAYS** ensure the confined individual is positioned properly within the confines of the bed. **DO NOT** let any extremities protrude over the side or between the bed rails when performing these functions.



DO NOT lower the bed when objects are beneath it. Failure to inspect under the bed can result in personal injury or property damage.



The bed's Hand Control Pendant Cable **MUST BE ROUTED AND SECURED PROPERLY** to ensure it does not become entangled and eventually severed during use. Also ensure electrical cords **DO NOT** get tangled around the bed, side rails, or legs during transport or normal operation of the bed.



When using nasal-type or masked-type administering equipment, all oxygen or air tubing **MUST BE ROUTED AND SECURED PROPERLY** to ensure the tubing does not become entangled and eventually severed during the normal operation of the bed.



Keep all moving parts free of obstructions (i.e. blankets/sheets, heating blankets/pads, wiring, etc.).



Beds manufactured by Basic American Medical Products are designed for use within an institutional healthcare environment (i.e. assisted living, skilled nursing, transitional care, rehabilitation care, etc.).



DO NOT use the assist devices as push handles for moving the bed. Assist devices can be deformed or broken if excessive side pressure is exerted. Assist devices are not meant for patients considered high risks for entrapment (i.e. patients with pre-existing conditions such as confusion, restlessness, lack of muscle control, altered mental status, either organic or medicinal, or a combination thereof). Additional safety measures should be considered for such high-risk patients.



NEVER permit more than one person on/in the bed at any time.



Body weight should be evenly distributed over the sleeping surface of the bed. **DO NOT** allow the patient to lie, sit, or lean in such a way that their entire body weight is placed only on the raised head or foot section of the bed. This especially applies when repositioning or transferring a patient in or out of the bed. Increased risk may occur when the patient's size and/or weight are inappropriate for the bed's dimensions or weight capacity.



Risk of entanglement or injury may occur if the mattress used with mattress retainers does not fill the entire width between stops or which compresses to less than 1.50 inches under user's weight.



Mattress must be properly sized to fit the mattress support platform and must remain centered on the support platform relative to State and Federal guidelines. Recommended minimum dimensions of mattress are 35 inches wide and 6 inches deep. Length should match the mattress support platform. Use of an improperly fitted mattress could result in injury or death.



IMPORTANT: Powered air mattress surfaces may pose a risk of entrapment. Prior to use, ensure the therapeutic benefits outweigh the risk of entrapment.



The bed is intended for use within a temperature range of 10°C to 40°C. It has a water resistance rating of IPX4 and IS NOT to be power washed or submerged.



IMPORTANT SAFETY AND WARNING INFORMATION



The head/back and knee/foot decks can be lifted freely by hand for easy cleaning access when patients are not in the bed. If you lift the head/back or knee/foot deck for any reason, take great care when lowering back down to the prone position - ensure all body parts are clear of the space between the deck and the bed prior to slowly lowering any deck manually. To avoid injury, **DO NOT LET DECKS FALL FREELY FROM ANY ANGLE.**



Notice for California Customers - California Proposition 65 WARNING: This product contains a chemical known to the State of California to cause cancer and reproductive or developmental harm.



Proper routing and tie-off of electrical cabling, especially the power cord, is essential for proper operation and to ensure safety from electrical shock. In the event you are replacing any electrical cabling on your bed, you must ensure the cables are free from pinch points, obstructions, or stretched so tight that they may come loose or become damaged. In addition, cables should be tied off in such a way to secure them and keep them free from tangling on any part of the bed during normal operation. Refer to your service manual's electrical section for proper cable routing.

ENTRAPMENT AND COMPLIANCE INFORMATION

On April 10, 2006, the FDA (U.S. Food and Drug Administration) released long-awaited guidelines for reducing the risk of bed entrapment: "Hospital Bed System Dimensional and Assessment Guidance to Reduce Entrapment". The new Guidance identifies potential entrapment areas and those body parts most at risk for entrapment; provides design criteria for manufacturers of new hospital/convalescent beds; recommends particular test methods to assess the conformance of existing hospital/convalescent bed systems; and answers frequently-asked questions about entrapment issues.

The new Guidance was a result of a long-standing collaboration between the FDA and the Hospital Bed Safety Workgroup (HBSW), formed in 1999. GF Health Products, Inc.'s Long Term Care Bed division: Basic American Medical Products, is an HBSW charter member. As a result of our commitment to product safety, **all our current long-term care beds have been strictly tested and conform to the new FDA Guidance.**

The guidelines set forth by the FDA Guidance lay out specific dimensional limitations on potentially injury-threatening gaps and spaces that can occur between bed system components, such as rails, when not properly installed. GF Health Products, Inc. and Basic American Medical Products have conformed to these guidelines from a manufacturing aspect. However, entrapment issues can often arise when a healthcare provider/facility has not correctly assembled the components on a bed. It is essential that the provider/facility fully understand their responsibility in complying to the guidelines set forth by the FDA in order to avoid injury. To that end, we have provided the FDA's web address at right as a resource for understanding and following these guidelines for the safety of patients/residents.

It is also essential to have the correct bed components/accessories that correspond with the needs of the patient/resident and the particular bed you have purchased. Matching the correct bed component that correlates with the regulatory guidelines can be a daunting task. Our sales team at GF Health Products, Inc. and our friendly Customer Service Representatives at Basic American Medical Products can help you sift through the wide array of compliance and bed options. We will help you determine which bed/bed part is best for the patient's/resident's particular needs and help you with any compliance issues.

The Zenith 9000APS bed and accessories listed in this manual are in full compliance with FDA guidelines for reducing the risk of bed entrapment: "Hospital Bed System Dimensional and Assessment Guidance to Reduce Entrapment".

Details can be found at www.fda.gov.



RECOMMENDED MAINTENANCE

Regular maintenance of the Long Term Bed is necessary to ensure continuing proper and safe operation. Read and observe the following recommended maintenance schedule.

ITEM	RECOMMENDED INSPECTION PERIODS		
	Inspect on Receipt	Every 3 Months	Every 6 Months
Maintenance Inspection of All Components at Receipt of Shipment			
Ensure all parts/components are included (see "Unpacking The Bed").	X		
Check all bed components for obvious damage.	X		
Inspect the power cord for any cuts and/or damage.	X		
Check to see all actuator/motor cables are routed and connected properly to the control box.	X		
Mechanical Inspection of Assemblies			
Inspect all welds on the sleeping surface, frame, and base assemblies for stress fractures.			X
Inspect all fasteners for wear and looseness.			X
IMPORTANT: Lubricate all pivot points, actuator/motor clevis pins, and control arm clevis pins as needed. White Lithium Grease is recommended.			X
Mechanical Inspection of Casters and Pedal Locking Mechanism			
Check the pedal locking mechanism to ensure it engages and disengages properly.		X	
Check the casters and stationary foot pads on both the head end and foot end for any damage, wear, or debris. Replace if needed.		X	
Check all rolling casters to ensure that they roll properly and are unobstructed.		X	
Electrical Inspection of Control Box, Hand Control Pendant, and Staff Control			
Check the external power cord that plugs into the control box for any chafing, cuts, or wear. Replace if damaged.		X	
Ensure all attaching hardware is securely tightened.		X	
Check all electrical connections for wear or fractures.		X	
Check the external backup battery (if you have one). Replace if needed.		X	
Check the hand control pendant cable for chafing, cuts, or wear.		X	
Check all hand control pendant functions - check to ensure each button and associated function work properly (i.e. head section rises when the HEAD UP button is activated).		X	
Electrical Inspection of Actuators/Motors			
Check the actuator/motor cables for any chafing, cuts, or wear.		X	
Check the range of movement on all motors to ensure they do not bind in the Full Up or Full Down positions.		X	



The following warning labels have been placed on the bed to help protect you and the bed from damage. Do not remove any labels from the bed.

WARNING!

DO NOT LOWER BED WHEN OBJECTS ARE BENEATH BED. FAILURE TO INSPECT UNDER BED CAN RESULT IN DAMAGE TO PROPERTY OR PERSONAL INJURY.

ATTENTION:

S'assurer de ne pas faire descendre le lit lorsque des objets se trouvent sous le lit. Ne pas inspecter le dessous du lit pourrait entraîner des dommages matériels et des risques de blessures.

CAUTION

THIS BED IS SUITABLE FOR USE ONLY WITH OXYGEN ADMINISTERING EQUIPMENT OF THE NASAL OR MASK TYPE OR A TENT COVERING ONLY THE UPPER HALF (HEAD END) OF THE BED. OXYGEN TENT CANOPIES SHOULD NOT EXTEND BELOW BED SPRING LEVEL. LOCK HAND CONTROL AT FOOT OF BED WHEN USING OXYGEN ADMINISTERING EQUIPMENT.

ATTENTION:

CE LIT PEUT ETRE UTILISE UNIQUEMENT AVEC UN EQUIPMENT DESTINE A L'ADMINISTRATION D'OXYGENE DE TYPE NASAL OU MASQUE OU AVEC UNE TENTE RECOUVRANT SEULEMENT LA MOTTIE AVENT (TETE) DU LIT. LES COTES DE LAS TENTE OXYGENE NE DOIVENT PAS SE PROLONGER PLUS DAS QUE LA SOMMIER DU LIT.



WARNING!

DO NOT LOWER BED WHEN OBJECTS ARE BENEATH BED. FAILURE TO INSPECT UNDER BED CAN RESULT IN DAMAGE TO PROPERTY OR PERSONAL INJURY.

ENVIRONMENTAL SPECIFICATIONS AND RFI INFORMATION

OPERATING CONDITIONS	
Ambient Temperature	10°C to 40°C
Relative Humidity	30% to 75% Non-Condensing
Atmospheric Pressure	700 hPa to 1060 hPa
Protected Against Splashing Water	IPX4

STORAGE AND TRANSPORT CONDITIONS	
Temperature	-40°C to 70°C
Relative Humidity	10% to 100%
Atmospheric Pressure	500 hPa to 1060 hPa

RFI (RADIO FREQUENCY INTERFERENCE)

RFI influences most electronic equipment. Caution should be exercised with regard to the use of portable communications equipment in the area around such equipment. If RFI causes erratic behavior, shut the bed off immediately. Leave it off while the transmission is in progress.

DISPOSAL OF EQUIPMENT AND ACCESSORIES



Follow local governing ordinances and recycling plans regarding disposal of the device or components normally used in operation. The device does not generate waste or residue in operation. Any accessories not part of the device **MUST** be handled in accordance with the individual product marking for disposal.



SECTION A: BED SETUP INSTRUCTIONS

UNPACKING THE BED

- Ensure all parts/components are included.
- Check all bed components for obvious damage.
- Inspect the Power Cord for cuts or damage.
- Ensure all actuator/motor cables are routed and connected properly to the control box.

DISCARD

1. Honeycomb Block
2. Large Block
3. Notched 2 x 4 Board
4. End Caps with Foam
5. Small Cable Tie - CUT
6. Notched Leg Foam

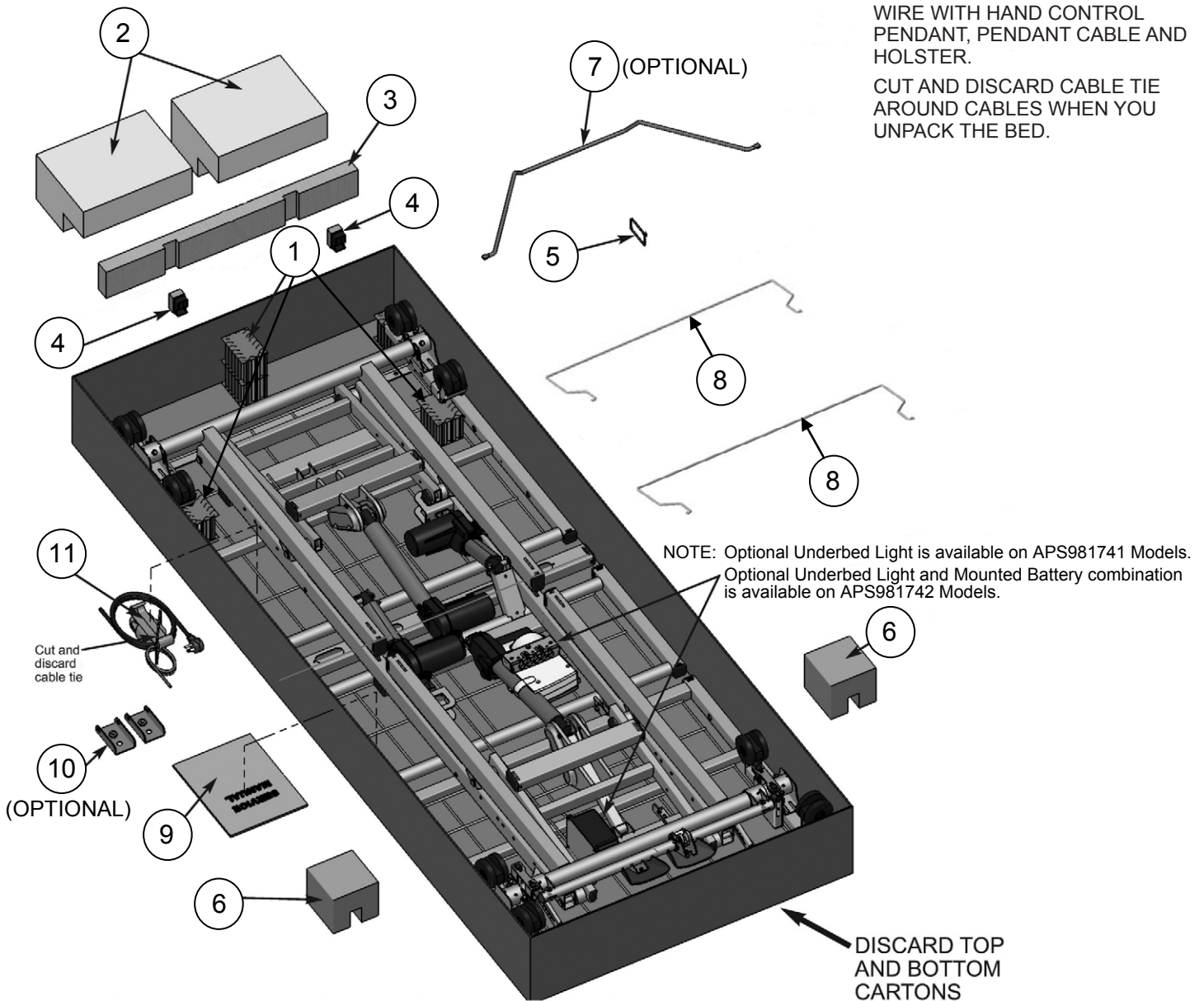
KEEP

7. Optional Wireform Wallsaver
8. Two Mattress Retainers
9. Service Manual/Documents
10. Optional Trendelenburg Brackets and Attaching Hardware in Bag
11. Hand Control Pendant Holster (Attached to Pendant)

NOTE:

END OF POWER CABLE IS COILED FOR SHIPPING AND TIED, WITH CABLE TIE, TO GRID WIRE WITH HAND CONTROL PENDANT, PENDANT CABLE AND HOLSTER.

CUT AND DISCARD CABLE TIE AROUND CABLES WHEN YOU UNPACK THE BED.





HEADBOARD AND FOOTBOARD ASSEMBLY

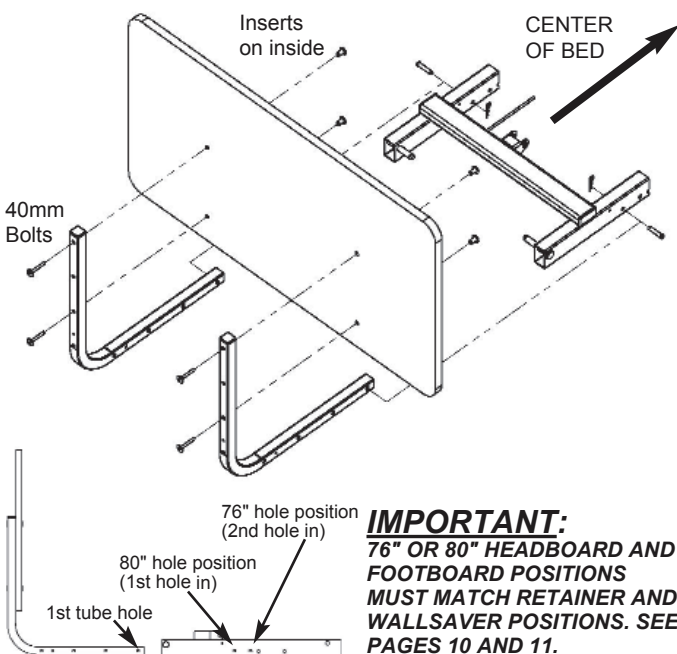
1. HEADBOARD INSTALLATION

- The headboard comes with four pre-installed inserts - consider this the inside of the headboard.
- Position two mounting tubes on the outside of the headboard with "L" facing inward.
- Align the mounting tube top holes with the headboard top holes.
- Insert a 40mm long socket head cap screw through each of the top holes and bottom holes and screw into each insert. Tighten with the hex key included in the kit.
- At the head deck end, slide the mounting tube "L" portions into the main frame rail hollow ends.
- **FOR 80" BEDS:** Slide the mounting tubes in until the first tube hole aligns with the first rail hole. See illustration below.
- **FOR 76" BEDS:** Slide the mounting tubes in until the first tube hole aligns with the second rail hole. See illustration below.

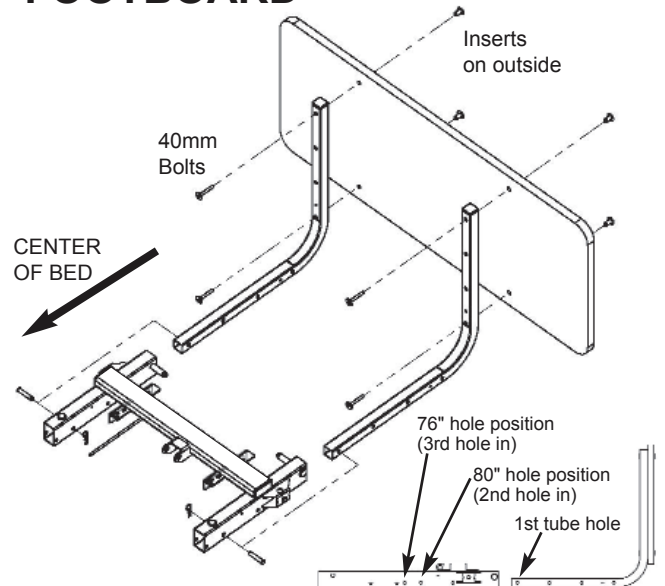
2. FOOTBOARD INSTALLATION

- The footboard comes with four pre-installed inserts - consider this the outside of the footboard.
- Position two mounting tubes on the inside of the footboard with "L" facing inward.
- Align the mounting tube top holes with the footboard top holes.
- Insert a 40mm long socket head cap screw through each of the top holes and bottom holes and screw into each insert. Tighten with the hex key included in the kit.
- At the foot deck end, slide the mounting tube "L" portions into the main frame rails hollow ends.
- **FOR 80" BEDS:** Slide the mounting tubes in until the first tube hole aligns with the second rail hole. See illustration below.
- **FOR 76" BEDS:** Slide the mounting tubes in until the first tube hole aligns with the third rail hole. See illustration below.

HEADBOARD



FOOTBOARD

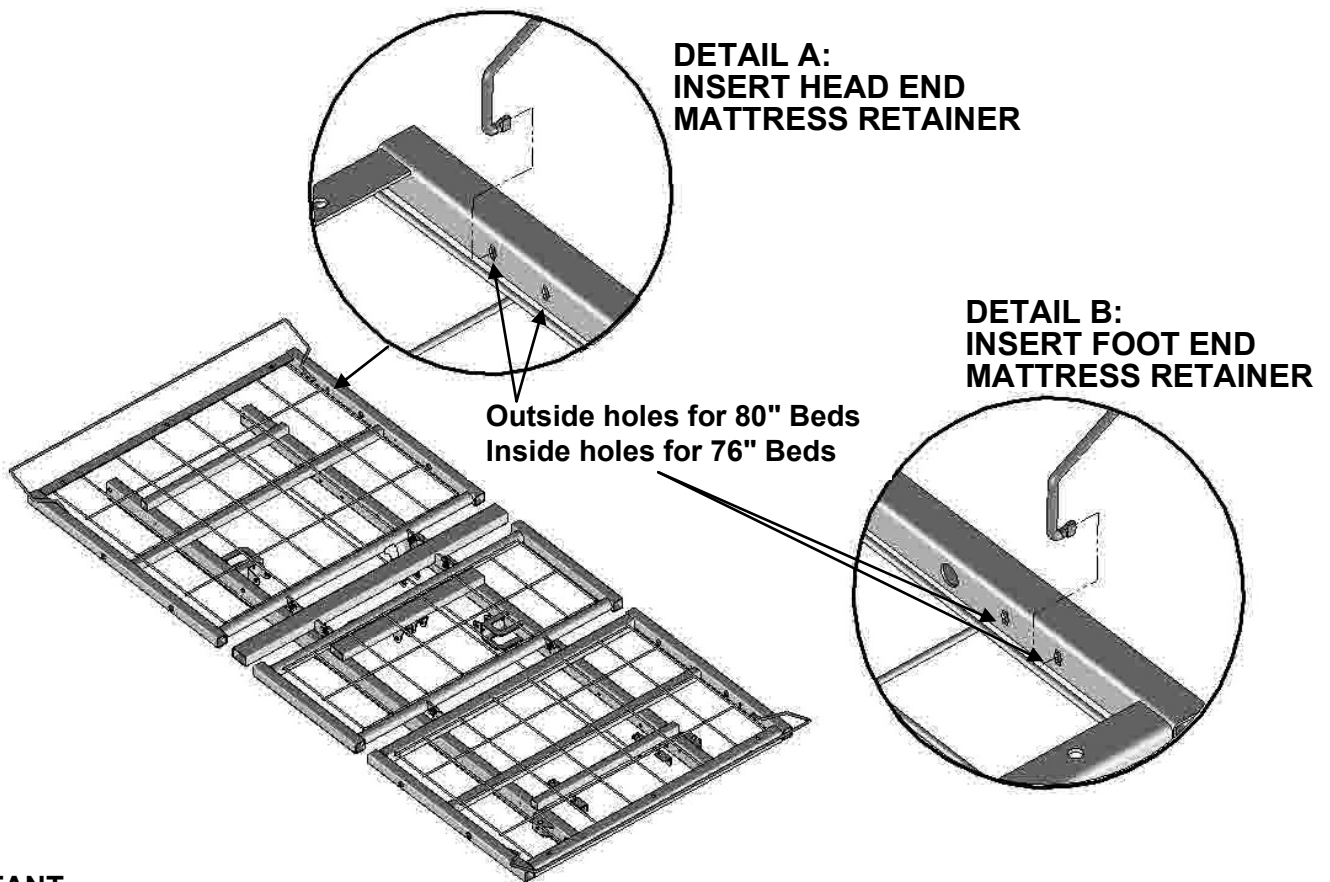


NOTE: The 1st hole at the foot end is reserved for attaching the Optional 4" pan extension.



STANDARD MATTRESS RETAINER INSTALLATION (USING 2 MATTRESS RETAINERS 999-0844-124SP)

1. Determine if you need to position your bed in an 80" or 76" configuration (80" outside holes; 76" inside holes - see Details A and B).
2. On the foot end, carefully squeeze the Mattress Retainer ends inward, toward the center of the retainer, and insert the ends into the proper holes (see Details A and B).
3. Lay the Mattress Retainer down so that the elbows rest on the decks and the long cross rod is on the foot end side as shown.
4. On the head end, carefully squeeze the Mattress Retainer ends inward, toward the center of the retainer, and insert the ends into the proper holes (see Details A and B).
5. Lay the Mattress Retainer down so that the elbows rest on the decks and the long cross rod is on the head end side as shown.



IMPORTANT

Ensure all three adjustable parts are properly positioned for 76" or 80" configurations (See pages 9 and 11)



Be sure to use a mattress that is properly sized to fit the sleep deck, which will remain centered on the deck relative to State and Federal Guidelines. Use of an improperly fitted mattress could result in injury or death.



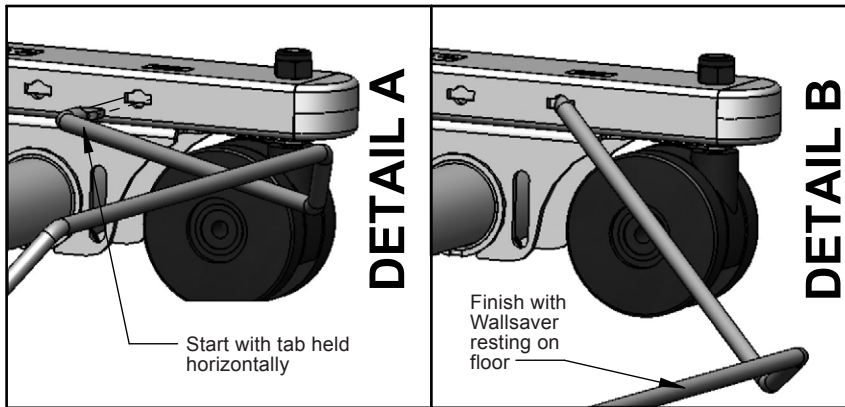
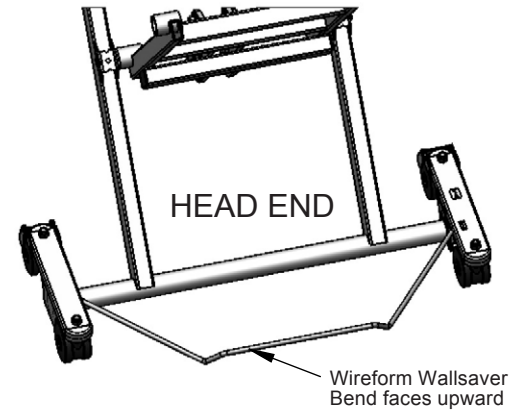
Use a properly sized mattress in order to minimize the gap between the side of the mattress and assist devices. This gap must be small enough to prevent resident/patient from getting their head or neck caught in this location.



OPTIONAL WIREFORM WALLSAVER INSTALLATION

WALLSAVER ASSEMBLY

1. Position the Wireform Wallsaver (Part no. **999-0844-180SP**) with bent end facing upward and tab ends facing inward as shown at right.
2. Determine the position desired (see bottom of page).
3. Gently squeeze the wallsaver tab ends inward toward the center of the wallsaver and, holding the tabs parallel with the caster base holes (see DETAIL A), slide the tabs into the holes while letting the wallsaver gently expand outward.
4. Turn the wallsaver downward until it rests on the floor (See Detail B).

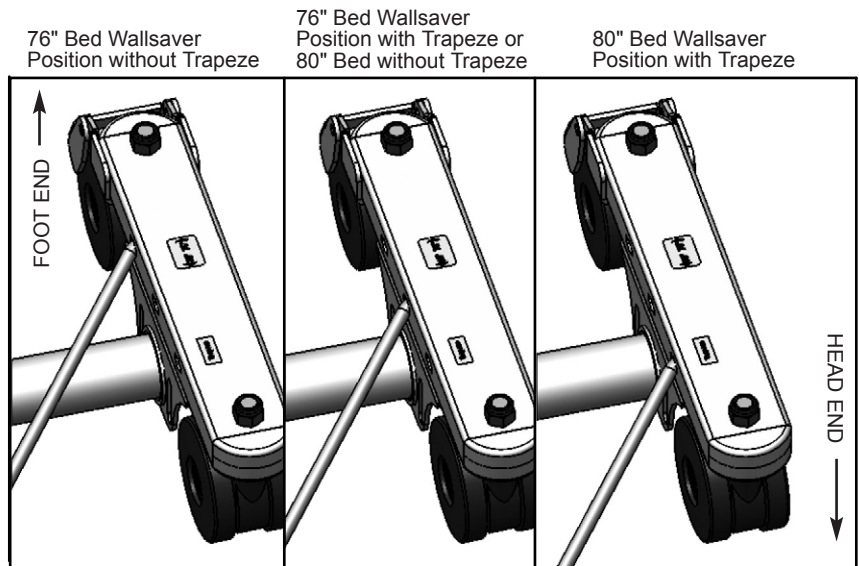


WALLSAVER REMOVAL

1. To remove or move the wallsaver to a new position, raise the wallsaver off the floor until the end tabs are horizontal.
2. Squeeze the ends toward the center of the wallsaver until the end tabs slide out of the caster base holes.

WALLSAVER POSITIONS

1. The Zenith 9000APS wallsaver features two standard positions for easy bed/mattress length reconfigurations - 76" and 80".
2. For 76" beds, position the wallsaver ends in the FOOT END caster base holes. For 76" beds using an optional Trapeze unit, position the wallsaver ends in the HEAD END caster base holes.
3. For 80" beds, position the wallsaver ends in the HEAD END caster base holes.

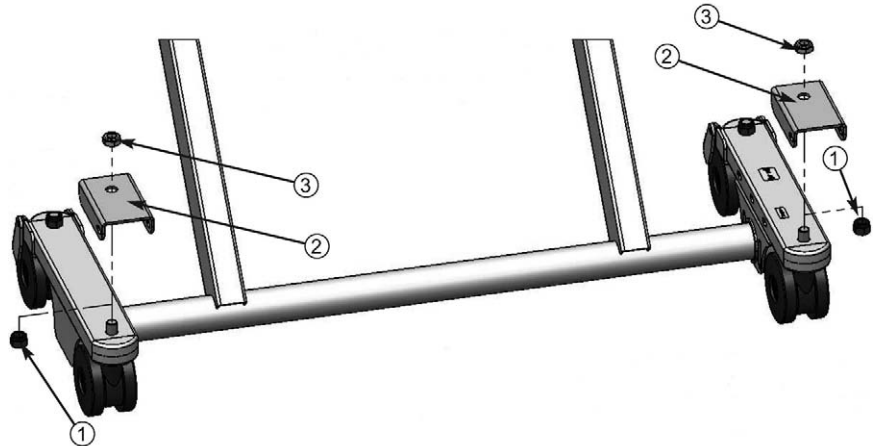




OPTIONAL WALLSAVER ADAPTER BRACKET INSTALLATION — FOR USE WITH TRENDELENBURG AND REVERSE TRENDELENBURG FEATURE

Optional Bracket Installation

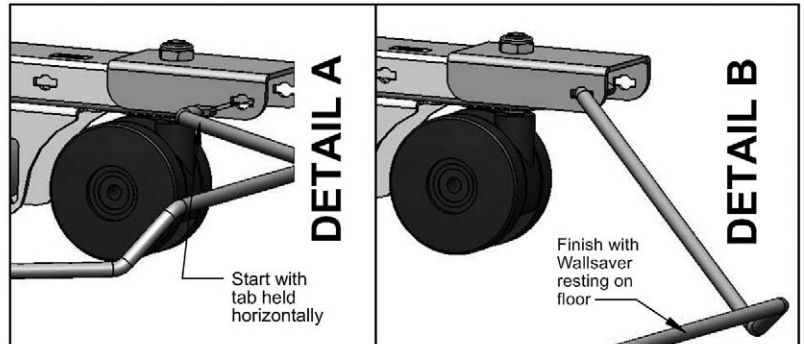
1. Remove the tall Lock Nut (#1) from the head end of both the right and left-hand caster bases. A tool is provided in your kit to hold caster stem in place while you loosen the nut.
2. Position the two saddle adapter brackets (#2, 999-0831-002) so that the slotted ends face away from the bases as shown.
3. Lower the brackets into the caster bases, aligning bracket holes with caster stems. Use tool from step 1 to keep caster stem from spinning.
4. Secure brackets to caster bases using short Nylon Lock Nuts (#3, 100-6744-002) included in your adapter bracket bag/kit.



NOTE: ADAPTER BRACKET INSTALLATION IS NECESSARY ONLY IF YOU PLAN TO USE THE TRENDELENBURG FEATURE.

Wallsaver Installation

1. Position the Wireform Wallsaver (999-0844-180SP) **with bent end facing upward** and tab ends facing inward as shown at right.
2. Gently squeeze the tab ends of the wallsaver inward toward the center of the wallsaver and, holding the tabs parallel with the caster base slots (see DETAIL A), slide the tabs into the slots while letting the wallsaver gently expand outward.
3. Turn the wallsaver downward until it rests on the floor (See DETAIL B).

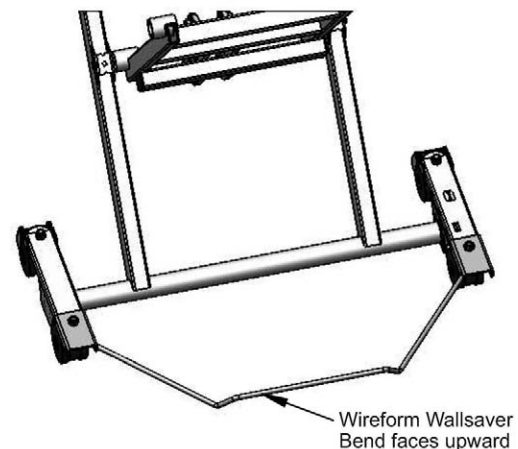


Wallsaver Removal

1. To remove or move the Wireform Wallsaver to a new position, raise the wallsaver off the floor until the end tabs are horizontal.
2. Squeeze the ends toward the center of the wallsaver until the end tabs slide out of the caster base slots.

IMPORTANT:

WALLSAVER END NEAREST THE WALL MUST FACE UPWARD AS SHOWN FOR WALLSAVER TO SEAT PROPERLY IN SLOTS.





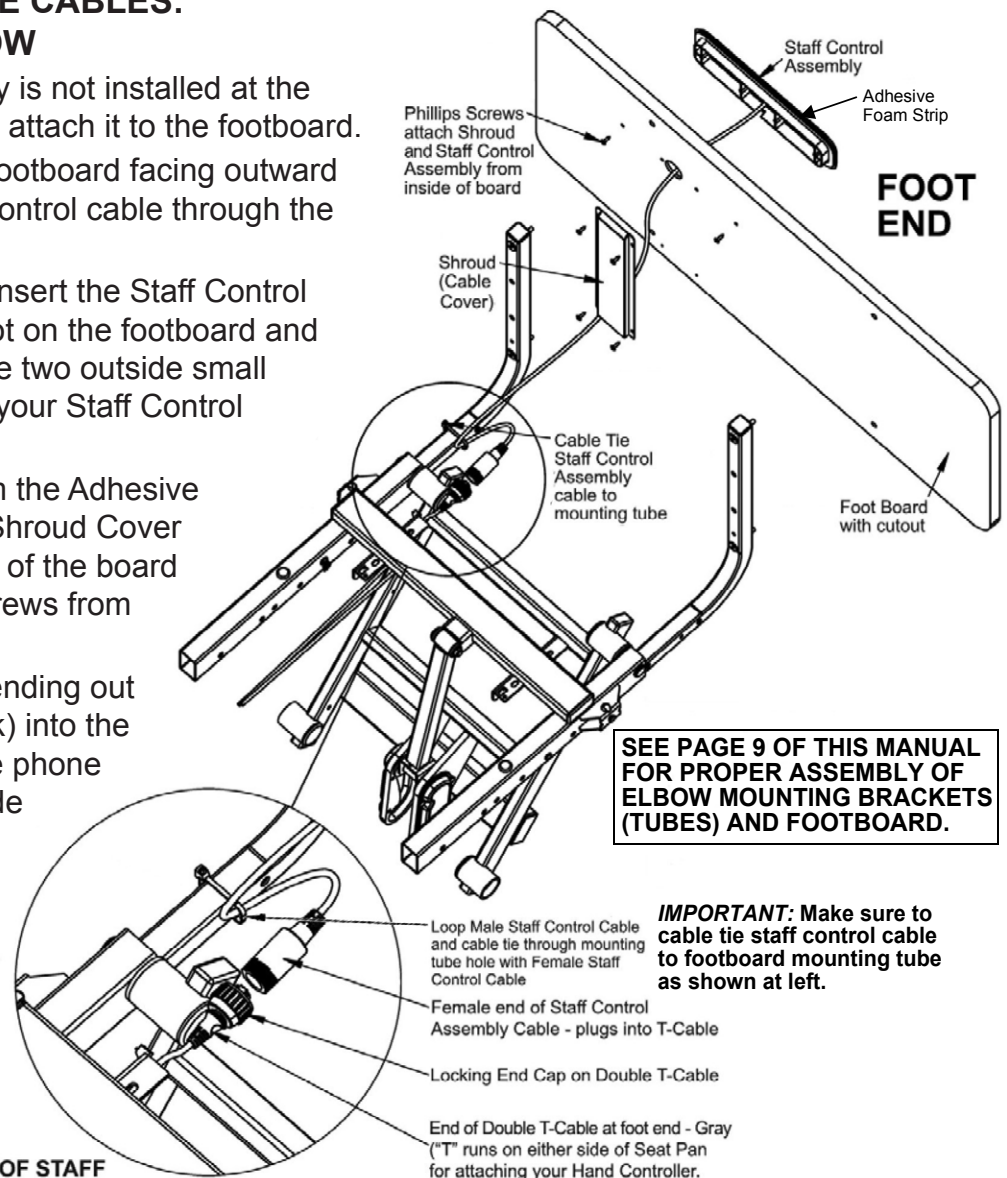
PLUGGING IN THE FOOTBOARD STAFF CONTROL

STEP 1 - ATTACHING THE FOOTBOARD

The 9000APS Series bed features a footboard Staff Control; however, the footboard is ordered separately with your bed because of the variety of board styles available. If ordered at the same time as the bed, the Staff Control Assembly and Shroud Cover will be pre-installed to the Footboard at the factory.

STEP 2 - CONNECTING THE CABLES: REFER TO DETAIL A BELOW

- If the Staff Control Assembly is not installed at the factory, you will need to first attach it to the footboard.
- With the cutout side of the footboard facing outward as shown, insert the Staff Control cable through the large round hole.
- With the text right-side-up, insert the Staff Control Assembly into the cutout slot on the footboard and attach to the board using the two outside small holes and two screws from your Staff Control hardware kit.
- Peel the paper backing from the Adhesive Foam Strip and attach the Shroud Cover over the cable on the inside of the board using the four remaining screws from your kit.
- Insert the T-Cable end (extending out the foot end with phone jack) into the round plug, making sure the phone jack is seated correctly inside the female plug (arrow to arrow – see DETAIL B and photos below).
- Screw on the round lock cap onto the Staff Control female plug to secure (See DETAIL B).



DETAIL A:
CLOSEUP OF STAFF CONTROL CABLE CONNECTION

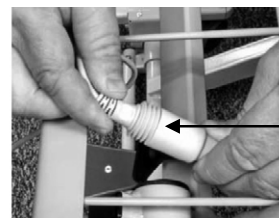


DETAIL B:
ENSURE LOCK END CAPS ARE SCREWED ON SECURELY

Improper Connection (not completely seated)

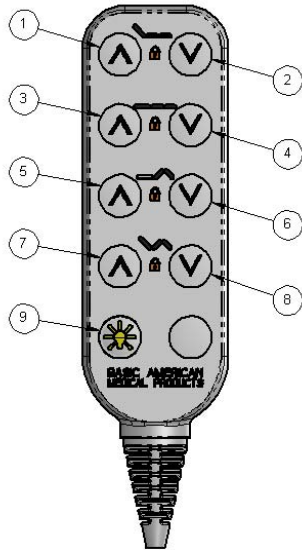


Proper Connection (completely seated)

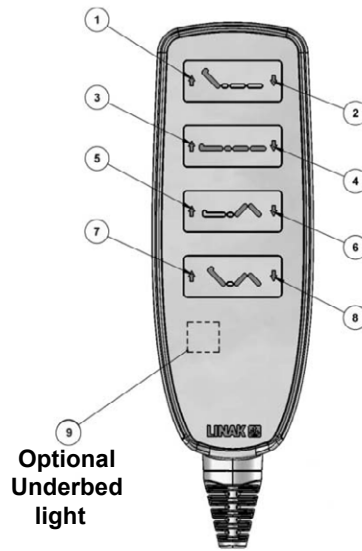




9000APS HAND CONTROL PENDANT OPERATION



STANDARD
HAND CONTROL PENDANT



OPTIONAL BACKLIT
HAND CONTROL PENDANT



Side view of optional backlit
Hand Control Pendant,
which includes a
removable attachment hook

PENDANT OPERATION	
BUTTON	FUNCTION
1	HEAD DECK ANGLE UP
2	HEAD DECK ANGLE DOWN
3	HI/LO UP (RAISE ENTIRE BED)
4	HI/LO DOWN (LOWER ENTIRE BED)
5	KNEE AND FOOT DECK ANGLE UP
6	KNEE AND FOOT DECK ANGLE DOWN
7	SET TO CHAIR POSITION
8	UNDO CHAIR POSITION
9	OPTIONAL UNDERBED LIGHT

NOTE:

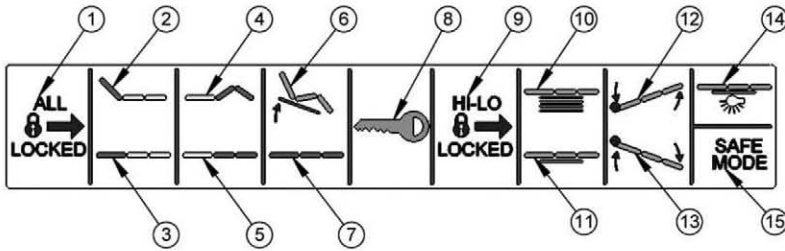
The 9000APS series Hand Control Pendant can be plugged into the T-cable plugs on either side of the bed for easy access. The opposite side of the T-Cable should always have the provided cap attached for safety.

The two vertical ends of the double T-Cable run toward the foot end of the bed, with one vertical end plugging directly into the control box (or Underbed Light if your bed has that feature) and the other longer end runs along the tie rod and extends out the foot end and plugs into the Staff Control cable.

The Pendant Hand Control does not feature any Trendelenburg or Reverse Trendelenburg buttons. For patient safety, controls for this feature are included only on the Staff Control.



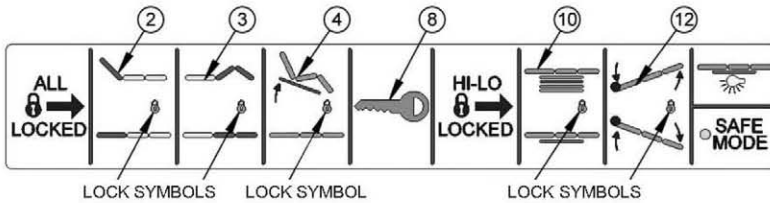
BED OPERATIONS - STAFF CONTROL PANEL



1	ALL LOCKED BUTTON
2	HEAD DECK UP BUTTON
3	HEAD DECK DOWN BUTTON
4	KNEE & FOOT DECK UP BUTTON
5	KNEE & FOOT DECK DOWN BUTTON
6	CHAIR POSITION BUTTON
7	UNDO CHAIR POSITION BUTTON
8	KEY LOCK/UNLOCK BUTTON
9	HI/LO (T/TR) LOCKED BUTTON
10	HI/LO UP BUTTON
11	HI/LO DOWN BUTTON
12	TRENDELENBURG
13	REVERSE TRENDELENBURG
14	UNDERBED LIGHT BUTTON
15	SAFE MODE RELEASE BUTTON

Press "Underbed Light" button (#14) to turn underbed light on or off.

"Safe Mode" (#15) LED light will glow green automatically once power cord is plugged in. Green light will blink intermittently for approximately 10 minutes. After 10 minutes of non-activity HI/LO Lock icons on the nurse/staff control panel will show orange (locked).



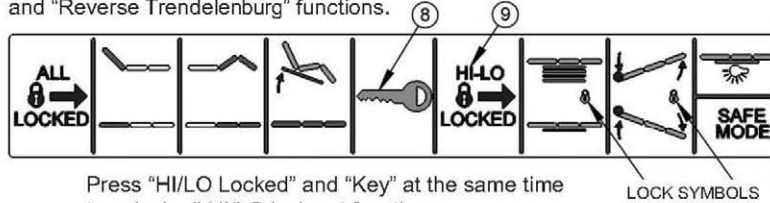
Press "Head", "Knee", or "Chair" and "Key" at the same time to unlock individual lock out functions.

LOCK OUT SINGLE FUNCTIONS

To individually lock out the "Head", "Knee", "Chair", and "HI/LO" functions, press the appropriate top icon (#2, 3, 4, 10, or 12) button and the "Key" button (#8) simultaneously. An orange LED lock symbol will appear under the related icon.

To "Unlock" any of the individual functions, press the top icon (#2, 3, 4, 10, or 12) and the "Key" button (#8) simultaneously. LED lights will not show up.

Press "HI/LO Locked" to lock out "HI/LO", "Trendelenburg", and "Reverse Trendelenburg" functions.

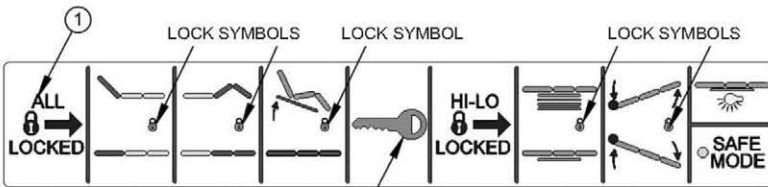


Press "HI/LO Locked" and "Key" at the same time to unlock all HI/LO lock out functions.

LOCK OUT HI/LO FUNCTIONS

To lockout the functions for raising and lowering the entire bed and tilting the bed for Trendelenburg positions, press the "HI/LO Locked" (#9) button. Orange LED lock symbols will appear under the HI/LO and Trendelenburg icons.

To "Unlock" all HI/LO functions, press the "HI/LO Locked" button (#9) and the "Key" button (#8) simultaneously. Orange LED lights will not show up.

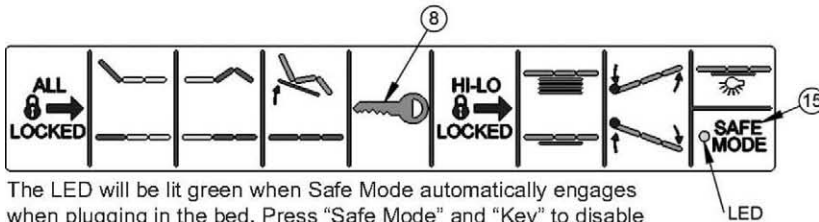


Press "All Locked" and "Key" at the same time to unlock all functions.

LOCK OUT EVERYTHING

To lock out all functions, press the "All Locked" button (#1). Orange LED lock symbols will appear under the "Head", "Knee", "Chair", "HI/LO", and "Trendelenburg/Reverse Trendelenburg" icons.

To "Unlock" all functions, press the "All Locked" button (#1) and the "Key" button (#8) simultaneously. Orange LED lights will not show up.



The LED will be lit green when Safe Mode automatically engages when plugging in the bed. Press "Safe Mode" and "Key" to disable the Safe Mode feature.

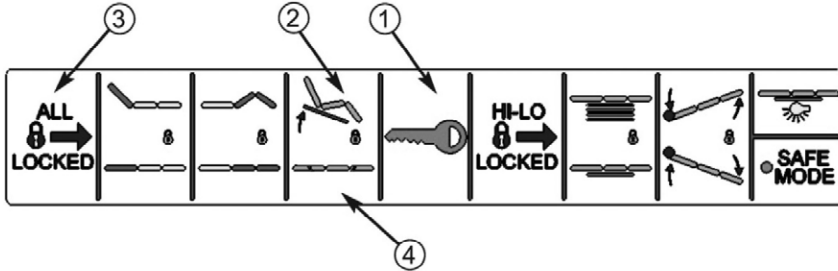
SAFE MODE:

Green light will show automatically when bed is plugged in and will blink intermittently during 10 minute "sleep mode". After 10 minutes of lapsed time since the last function was used, the LED light shows green and HI/LO Lock icons will show orange.

To manually disable the function, hold the "Safe Mode" button (#15) and "Key" button (#8) at the same time. Green LED light will go out.



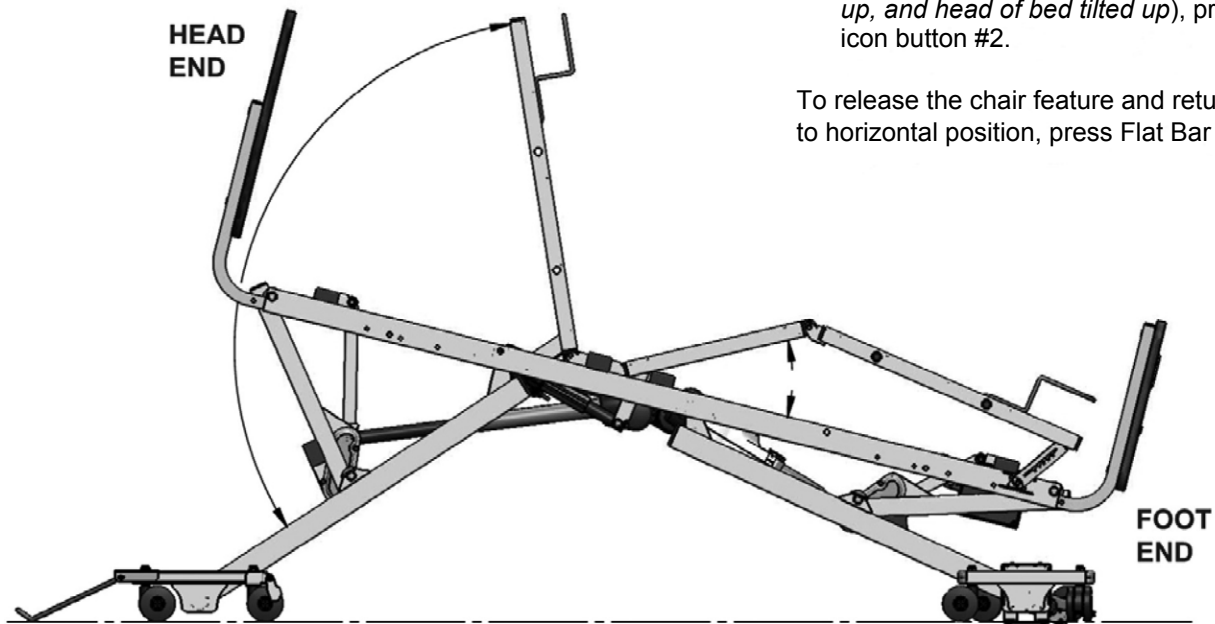
BED OPERATIONS - CHAIR POSITION



1. Ensure the Chair position on the Staff Control panel is not locked out (*orange lock icon*). To **unlock**, press Key icon button #1 and Chair icon button #2 (or "All Locked" button #3) simultaneously.

2. To move the bed to Chair position (*foot and knee decks angled up, head deck angled up, and head of bed tilted up*), press Chair icon button #2.

To release the chair feature and return the bed to horizontal position, press Flat Bar icon #4.



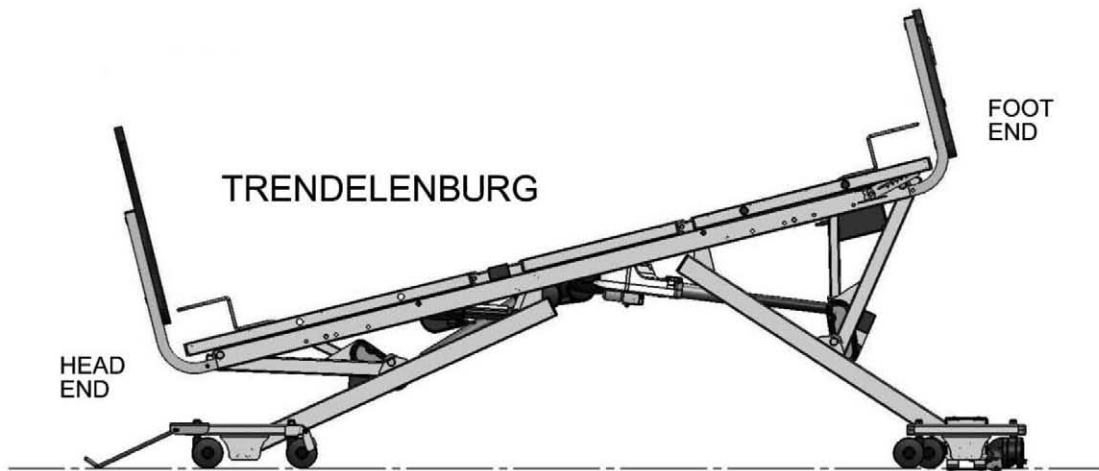
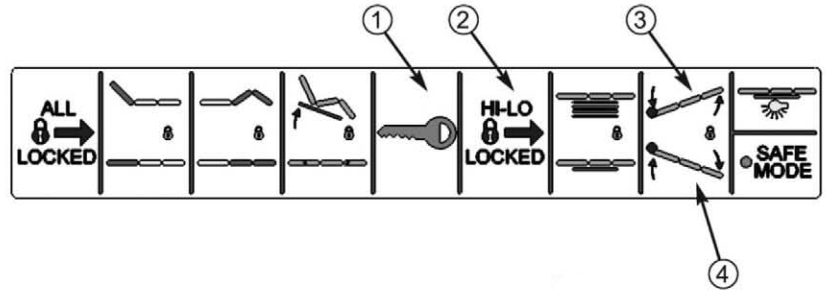
The Chair feature can also be operated using the Hand Control Pendant.



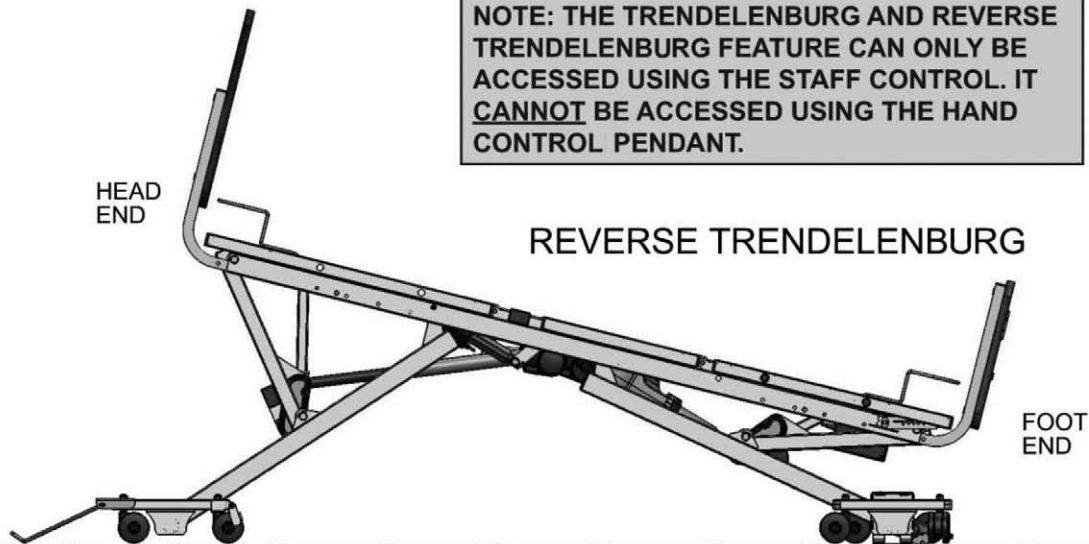


BED OPERATIONS - TRENDELENBURG/ REVERSE TRENDELENBURG POSITION

1. Ensure the Staff Control HI/LO function is not locked out (*orange lock icon*). To unlock, simultaneously press Key 1 and HI/LO Locked button 2.
2. To move the bed to Trendelenburg position (foot end up), press button 3.
3. To move the bed to Reverse Trendelenburg position (head end up), press button 4.



NOTE: THE TRENDELENBURG AND REVERSE TRENDELENBURG FEATURE CAN ONLY BE ACCESSED USING THE STAFF CONTROL. IT CANNOT BE ACCESSED USING THE HAND CONTROL PENDANT.





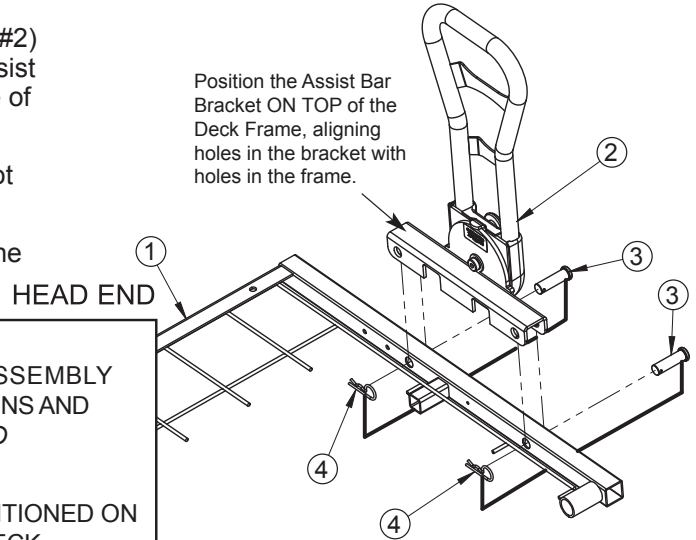
SECTION B: ASSIST DEVICES

OPTIONAL PIVOTING ASSIST BAR INSTALLATION AND OPERATION

KIT ZA85400 - (Illustration shows bar positioned on left side of bed)

1. At the head end of the bed, position the Pivoting Assist Bar (#2) bracket over the Head Deck (#1) frame and align the two Assist Bar bracket holes with the two frame rail holes on either side of the head deck.
2. From the outside, insert the Clevis Pins (#3) through the pivot bracket and deck frame holes.
3. From the inside, insert a Hair Pin Clip (#4) through each of the clevis pin small holes.

Position the Assist Bar Bracket ON TOP of the Deck Frame, aligning holes in the bracket with holes in the frame.

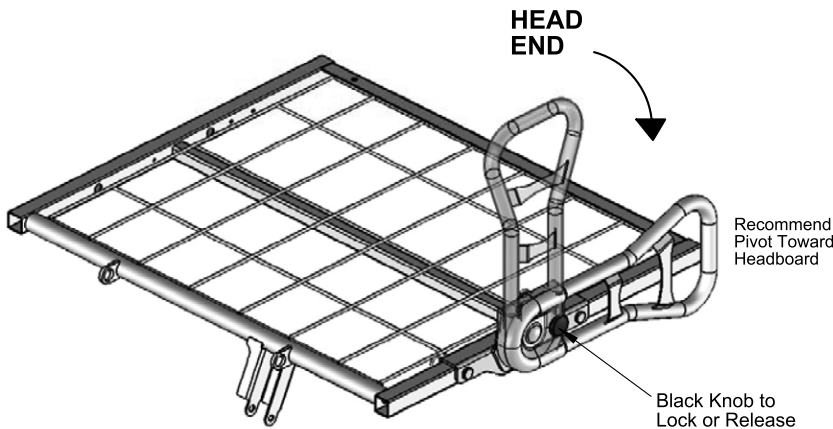


ORDER KIT # ZA85400.

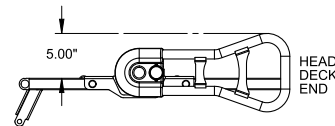
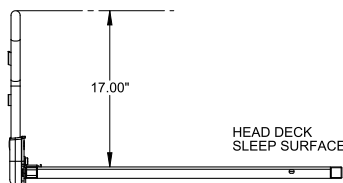
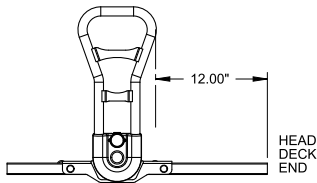
THE KIT INCLUDES ONE PIVOTING ASSIST BAR ASSEMBLY AND TWO LANYARD ASSEMBLIES WITH CLEVIS PINS AND HAIR PIN CLIPS. (A STATIONARY ASSIST BAR IS ALSO AVAILABLE AS AN OPTION - KIT # ZA85000)

THE PIVOTING AND FIXED ASSIST BARS CAN BE POSITIONED ON EITHER THE RIGHT OR LEFT SIDE OF THE HEAD DECK. **ASSIST BARS ARE NOT INTENDED FOR USE AT THE FOOT END OF THE BED.**

PIVOTING ASSIST BAR OPERATION



1. To release the pivoting assist bar from its vertical lock position, hold onto the top of the bar with one hand and slightly pull out the black knob on the outside of the pivot assembly with the other hand to release the locking mechanism. For ease of patient access, it is recommended that you pivot the rail toward the headboard until it stops and rests in place.
2. To return the assist bar to its upright locked position, grab the top of the assist bar with one hand and pivot the assembly upward until the black knob mechanism snaps into place, locking the assist bar vertically.



! TO AVOID PINCHING FINGERS, ENSURE FINGERS ARE CLEAR OF SIDES OR UNDERSIDES OF THE PIVOTING ASSEMBLY WHEN POSITIONING THE ASSIST BAR UP OR DOWN.

! TO AVOID PERSONAL INJURY, ENSURE THE PIVOTING ASSIST BAR IS ALWAYS IN THE FULL, VERTICAL, LOCKED POSITION WHENEVER RESIDENT/PATIENT IS LEFT UNATTENDED.

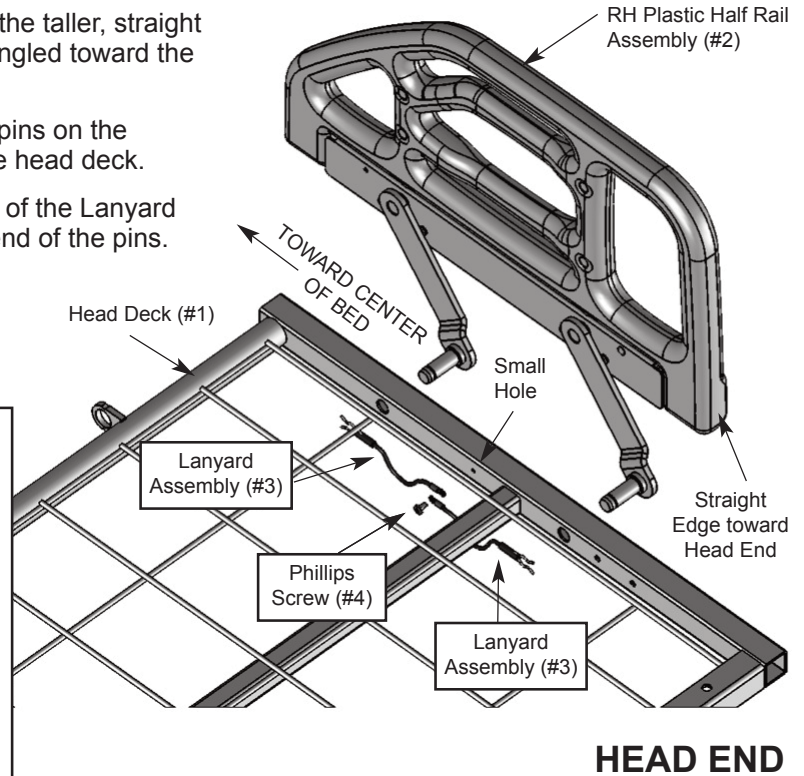
! POWERED AIR MATTRESS SURFACES MAY POSE A RISK OF ENTRAPMENT. PRIOR TO USE, ENSURE THE THERAPEUTIC BENEFITS OUTWEIGH THE RISK OF ENTRAPMENT.



OPTIONAL PLASTIC HALF RAIL INSTALLATION AND OPERATION

KIT ZA84200 - (ILLUSTRATION SHOWS RAIL POSITIONED ON RIGHT SIDE OF BED)

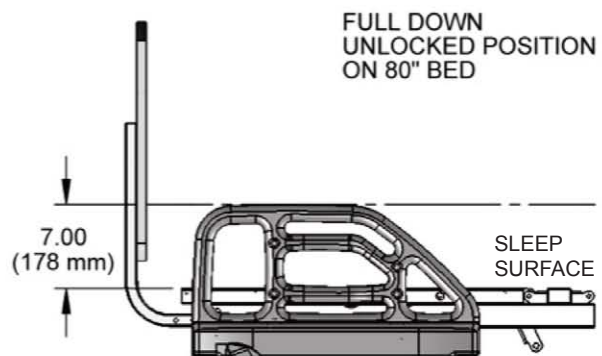
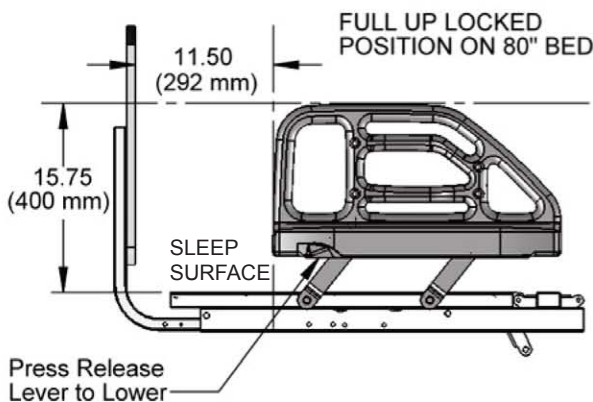
1. Position the Plastic Half Rail (#2) as shown, with the taller, straight edge toward the head end of the bed and arms angled toward the center of the bed.
2. From the outside, insert the two welded grooved pins on the rail arms into the two large holes in the side of the head deck.
3. From the inside, install the metal hair pin clip end of the Lanyard Assembly (#3) onto the exposed grooves at the end of the pins.
4. Position the other terminal end of the Lanyard Assemblies (#3) over the small hole on the inside of the deck frame. Secure with a small Phillips Screw (#4).



ORDER PLASTIC RAIL KIT #ZA84200, WHICH INCLUDES A RIGHT AND LEFT HALF RAIL, FOUR LANYARD ASSEMBLIES, AND TWO PHILLIPS SCREWS (OR TWO OPTIONAL HEX HEAD SCREWS). ORDER BAG #999-0842-905 FOR JUST THE REPLACEMENT HARDWARE.

THE PLASTIC RAIL CAN BE INSTALLED ON EITHER THE HEAD OR FOOT END OF 80" BEDS. **IT SHOULD ONLY BE INSTALLED ON THE HEAD END OF 76" BEDS.**

PLASTIC HALF RAIL OPERATION



! TO AVOID PINCHING FINGERS, HOLD THE HALF RAIL FROM THE TOP WITH ONE HAND AND CAREFULLY DEPRESS THE BLACK RELEASE LEVER WITH THE OTHER. ENSURE THERE ARE NO OBJECTS IN THE WAY THAT MAY HINDER THE FULL MOVEMENT OF THE RAIL.

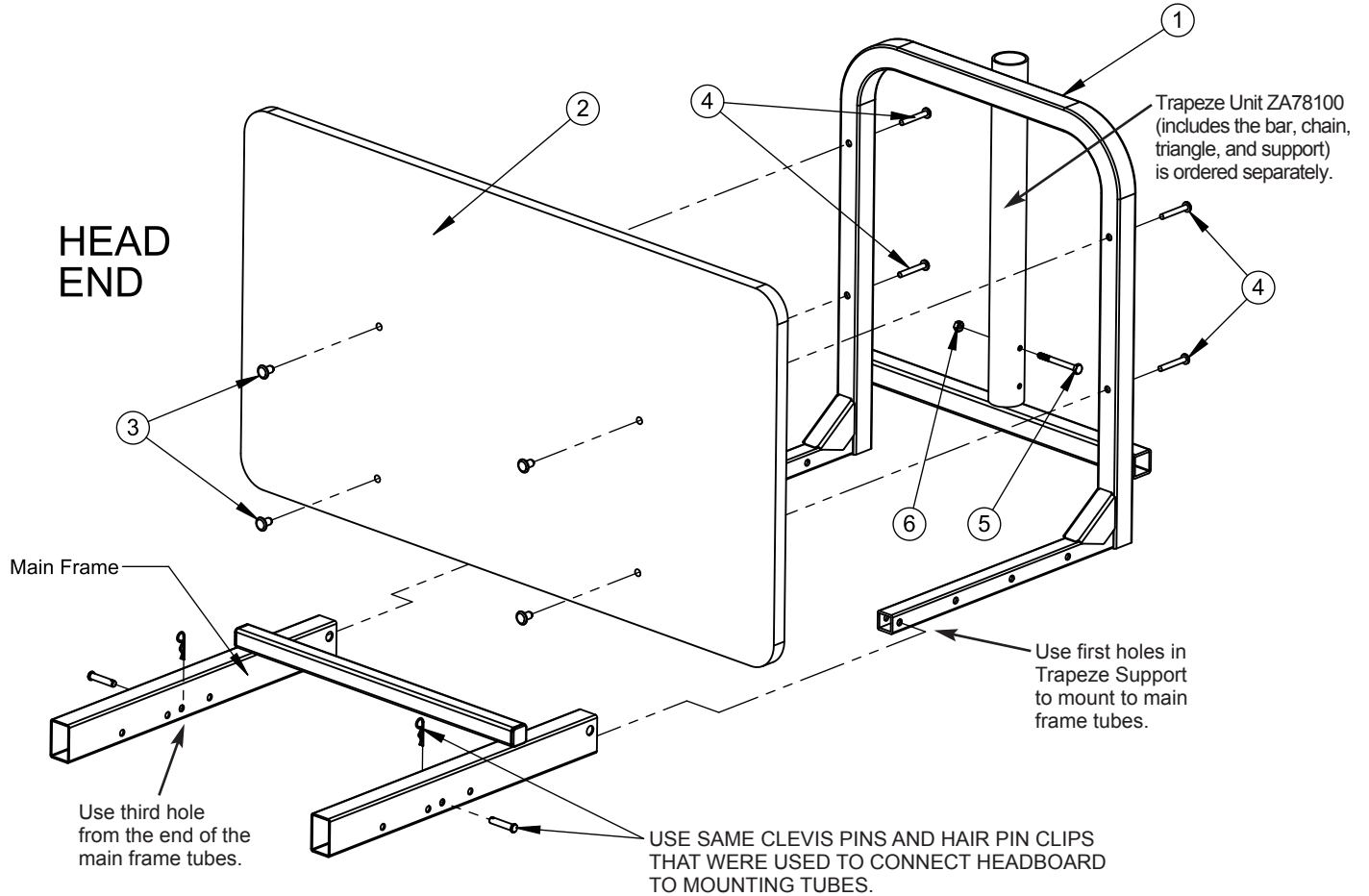
! TO AVOID PERSONAL INJURY, ENSURE THE HALF RAIL IS ALWAYS IN THE FULL UP LOCKED POSITION WHENEVER RESIDENT/PATIENT IS LEFT UNATTENDED.

! POWERED AIR MATTRESS SURFACES MAY POSE A RISK OF ENTRAPMENT. PRIOR TO USE, ENSURE THE THERAPEUTIC BENEFITS OUTWEIGH THE RISK OF ENTRAPMENT.



OPTIONAL TRAPEZE SUPPORT INSTALLATION

(THE TRAPEZE SUPPORT IS ATTACHED TO THE HEAD SECTION OF THE BED.)
ORDER KIT NUMBER ZA79000



1. Remove the headboard panel assembly (#2), if previously assembled to the bed, by pulling out the two Clevis Pins and two Hair Pin Clips that attach the main frame tubes to the headboard's mounting tubes. Set all pins aside for later use.
2. Detach the headboard panel from the mounting tubes by unscrewing the four 40mm long Socket Head Cap Screws that fasten the board to the tubes (these will be replaced with the longer Phillips Head Pan Screws from the trapeze adapter hardware bag). Do not remove the four 1/4-20 inserts (#3) from the board. They will be used again to mount the board to the trapeze support.
3. Assemble the Trapeze Support (#1) to the main frame tubes using the two Clevis Pins and Hair Pin Clips you removed in Step 1. **The first holes in the Trapeze tubes must line up with the fourth hole from the end in the main frame tubes as shown; the main frame shown is for 80" deck.**
4. Insert the 1/4-20 x 2.50" long Carriage Bolt (#5) into the vertical support as shown and fasten with a 1/4-20 Hex Lock Nut (#6). Both parts should be in the hardware bag.
5. Assemble the headboard to the inside of the Trapeze Support so that the side of the headboard with the inserts is facing away from the Trapeze Support. From the outside, insert the four 1/4-20 x 1.75" long Machine Screws (#4) from the hardware bag through the holes in the Trapeze Support, screwing them into the inserts in the headboard.



SECTION C: MECHANICAL AND ELECTRICAL INFORMATION

ZENITH 9000APS MECHANICS

NOTE: ALL DIMENSIONS ARE ±.25 INCHES

- Overall Bed Length (with boards and wallsaver) . 82"/86"
- Overall Bed Width (with boards) 36.00"
- Maximum Height* 30.00"
- Minimum Height* 7.00"
- Maximum Head/Back Deck Angle 70°
- Maximum Knee/Foot Deck Angle 30°
- Trendelenburg/Reverse Trendelenburg Seat Angle ≤ 14°
- Maximum Safe Working Load 600 lb
WITH WEIGHT EVENLY DISTRIBUTED
- includes bedding, resident, support surface, and all accessories
- Mass of bed (without assist devices or boards) = 204 lb

* Bed height calculated from floor surface to top of sleep deck.

ZENITH 9000APS ELECTRICAL

- Power/Frequency 120 Volt/ 50/60 Hz
- Output Rating 12/33V IPX4
- Overall Movement Draw 4.50 Amps
- Classification Class 1, Type B
- Power (Electrical) Cord #18 AWG 3 Conductor
. Type SJT
- Mode of Operations 10% Max. Duty Cycle
. (2 minutes on/18 minutes off)
- Battery Backup Option 1 120V External Battery
. Pack and Charger
Pack and Charger can be purchased separately as an accessory.
- Battery Backup Option 2 120V Mounted Battery
Pack is mounted to bed frame—no charger needed

TYPICAL ZENITH 9000APS BED IDENTIFICATION LABELS with Grounded Electrical Cable

GF HEALTH PRODUCTS, INC. ATLANTA, GA 30360	MODEL NO 808-0000-000000
	MFG. DATE 4/01/13
DUTY CYCLE - 2 min Continuous/18 min Intermittent MODE OF OPERATION - Intermittent	VOLT HZ AMP TYPE 110-120 50/60 4.5 AC
= 600 lbs SAFE WORKING LOAD	SERIAL NO 000000000000
IPX6	

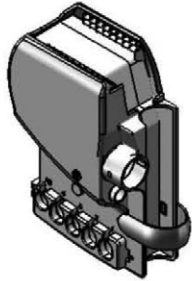
Bed labels are an important part of identifying the bed's make and model when ordering replacement parts. The Serial Number is essential if you are claiming parts or service under warranty. These helpful labels can be located on the main frame rails, immediately below the sleep decks on either side of the bed.

Have this IMPORTANT information ready when calling our Customer Service or Technical Support staff at 770-368-4700; it will allow us to better assist you and quickly answer your questions and concerns.

APS98174	ZENITH 808 SERIES PATENT PENDING ZENITH APS 9000	SERIAL ZZ9
MODEL NO. 808-0000-000000	MFG DATE 4/01/13	
		000000000000
ZZ98174		



ZENITH 9000APS SERIES ELECTRICAL COMPONENTS (LINAK)



Control/Junction Box
Part # 999-0831-300SP
Quantity = 1

Power Cable plugs into side port (part listed at bottom)



Standard Hand Control Pendant
Part # 999-0831-305SP
Quantity = 1



Optional Backlit Hand Control Pendant
Part # 999-0806-301SP
Quantity = 1

Bed also includes Hand Control Pendant Holster
Part # 999-0791-000SP Quantity = 1



Head Motor/Actuator
Part # 999-0822-052SP
Quantity = 1



Double T-Cable
Part # 999-0806-200SP
Quantity = 1



Foot Motor/Actuator
Part # 999-0822-053SP
Quantity = 1



Motor Cable (Head and HI/LO)
Part # 999-0806-203SP
Quantity = 3



HI/LO Motor/Actuator
Part # 999-0831-051SP
Quantity = 2



Motor Cable (Foot)
Part # 999-0806-202SP
Quantity = 1



Battery Backup Cable (Optional)
Part # 999-0831-200SP
Quantity = 1



STANDARD:
3 Prong Power Cord
Part # 999-0775-208SP
Quantity = 1

**OPTIONAL UNDERBED LIGHT
(APS781741 or -2 Models only)**



Underbed Light Adapter Cable
Part # 999-0806-212SP
Quantity = 1



Underbed Light
Part # 999-0806-220SP
Quantity = 1



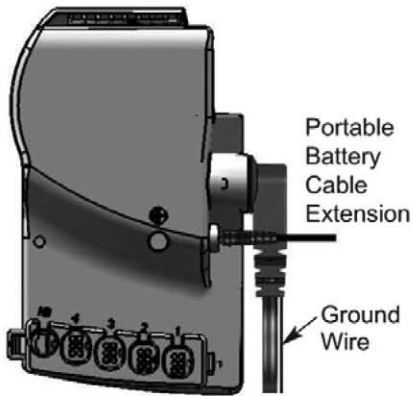
DO NOT use unauthorized parts, accessories, or adapters other than those specified/authorized by GF Health Products, Inc. DO NOT open assemblies such as the Actuators, Hand Control Pendant, or Control Box. If unauthorized personnel perform work on these components, the manufacturer's warranty becomes void. NEVER operate the bed if a Power Cord or Plug is damaged or not working properly. Contact qualified Service Personnel for examination and repair.

ALWAYS UNPLUG THE POWER CORD BEFORE PERFORMING MAINTENANCE ON THE BED.



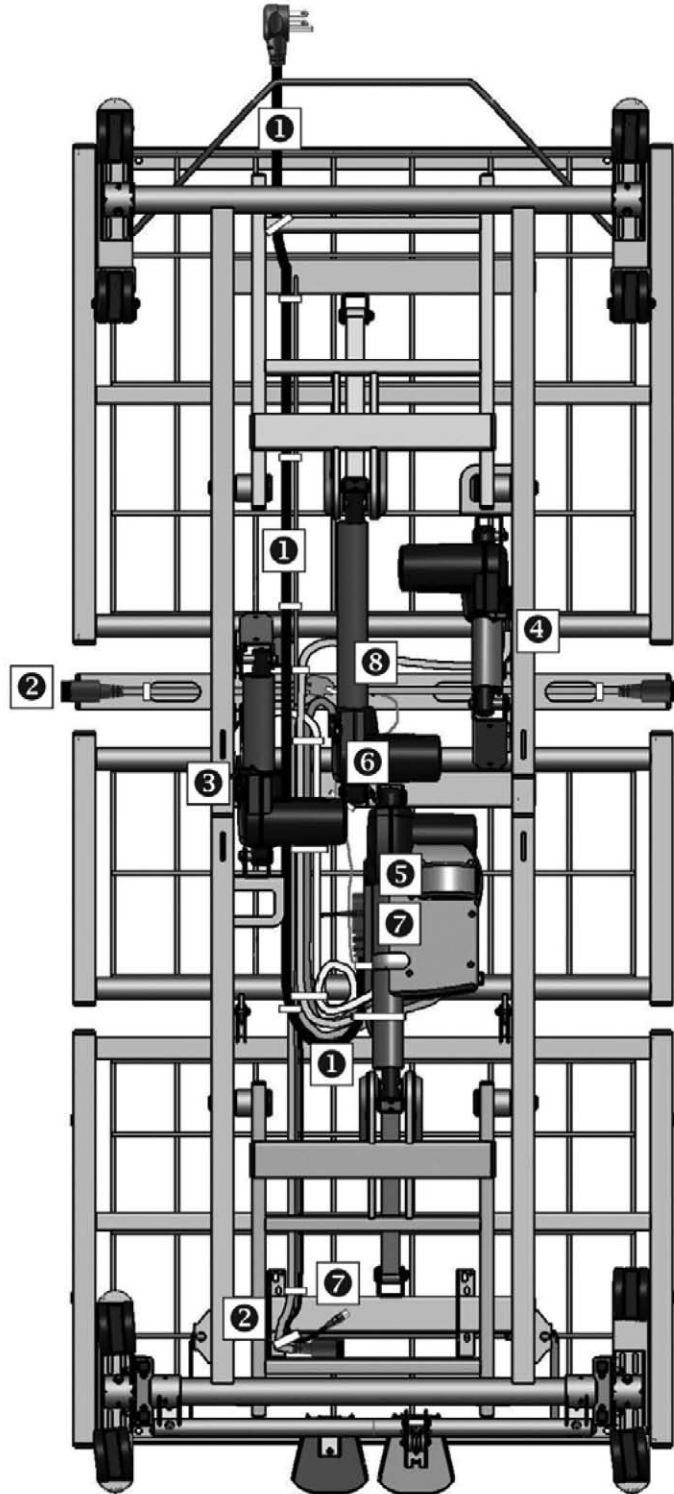
ZENITH 9000APS SERIES ELECTRICAL CABLING

- ❶ POWER CORD
- ❷ T-CABLE
- ❸ HEAD CABLE
- ❹ FOOT CABLE
- ❺ HI/LO CABLE (FOOT)
- ❻ HI/LO CABLE (HEAD)
- ❼ BATTERY BACKUP CABLE
- ❽ GROUND WIRE



T-Cable (HB)
 HI/LO (Ft) - Port 4
 Foot - Port 3
 HI/LO (Hd) - Port 2
 Head - Port 1

Power Cord and
 Battery Cable -
 Side of Control Box

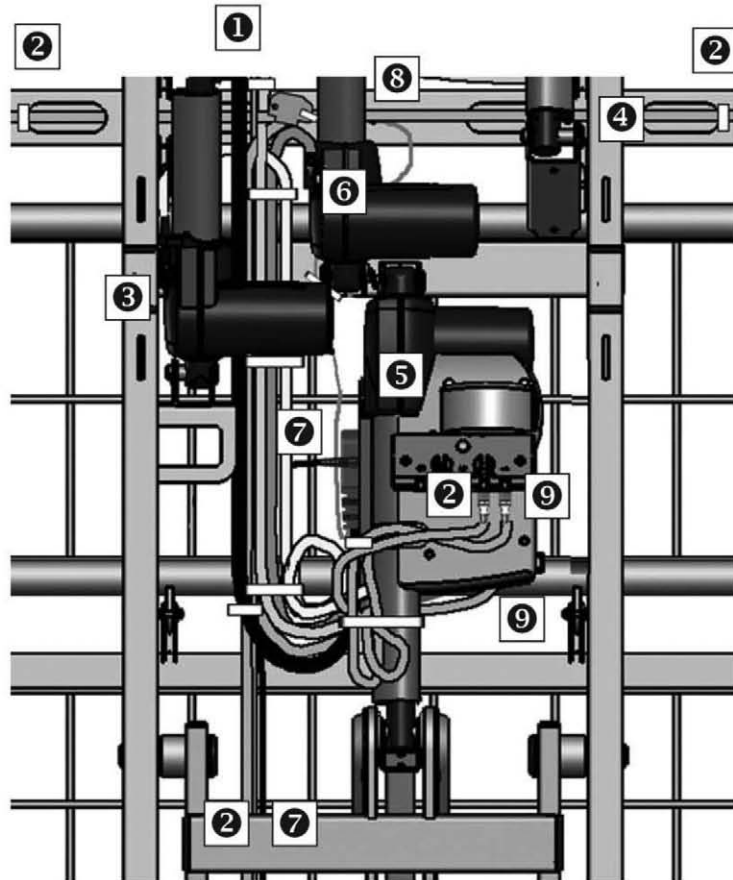
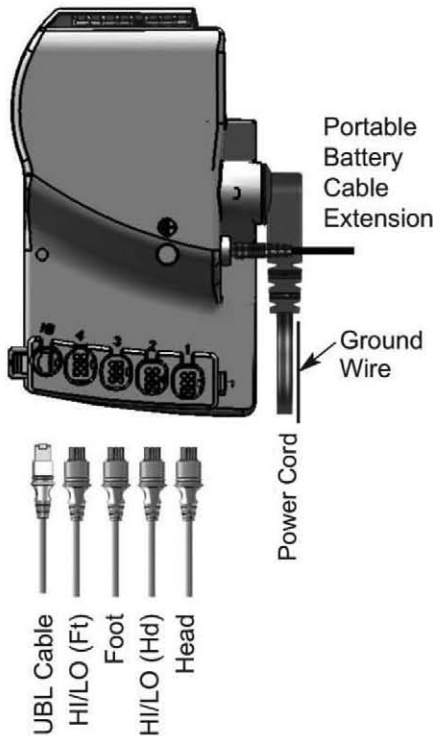




ZENITH 9000APS SERIES ELECTRICAL CABLING FOR OPTIONAL UNDERBED LIGHT

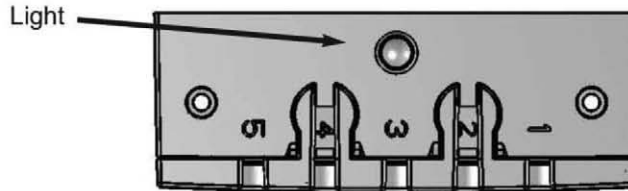
- ① POWER CORD
- ② T-CABLE
- ③ HEAD CABLE
- ④ FOOT CABLE
- ⑤ HI/LO CABLE (FOOT)
- ⑥ HI/LO CABLE (HEAD)
- ⑦ BATTERY BACKUP CABLE
- ⑧ GROUND WIRE
- ⑨ UNDERBED LIGHT (UBL) CABLE

NOTE: Cabling for Beds with Underbed Light feature is identical to Standard APS beds, except that the T-Cable plugs into Port 2 in the Underbed Light Box and an extra Adapter Cable is plugged into Port 1 on the Underbed Light Box and the HB Port in the Control Box.



T-Cable - Port 2 in Underbed Light Box
 HI/LO (Ft) - Port 4 in Control Box
 Foot - Port 3 in Control Box
 HI/LO (Hd) - Port 2 in Control Box
 Head - Port 1 in Control Box

Power Cord and
 Battery Cable -
 Side of Control Box



UNDERBED LIGHT (UBL) Part # 999-0806-220SP

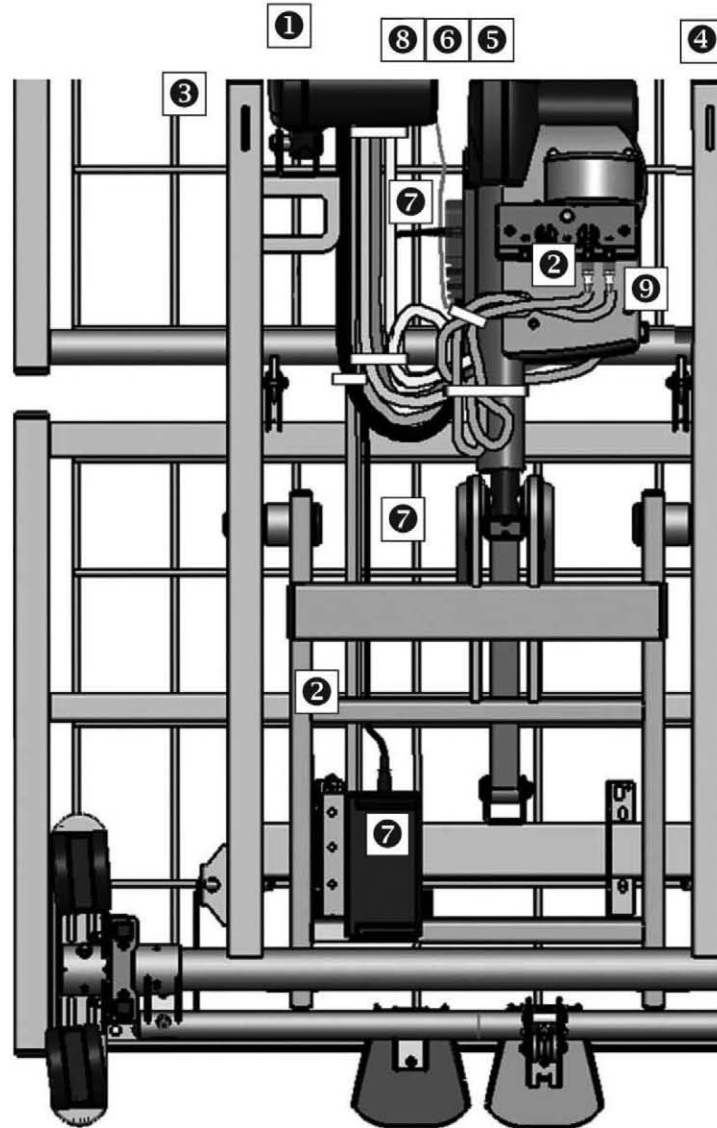
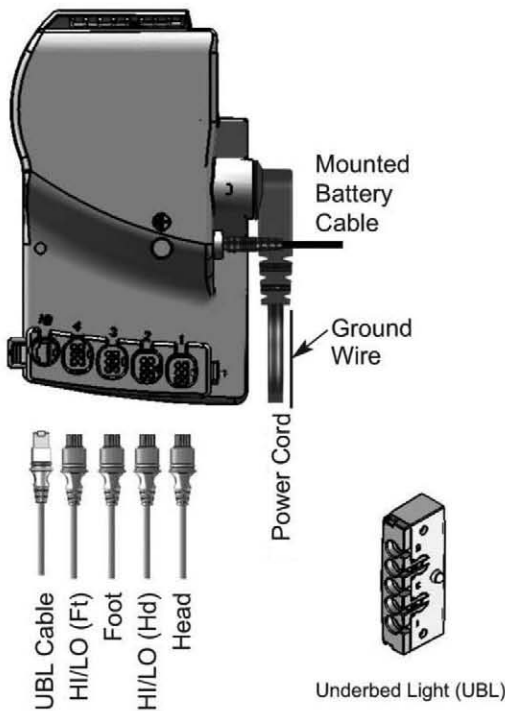
(also order adapter cable
 999-0806-212SP)

T-Cable
 Adapter
 Cable



ZENITH 9000APS SERIES ELECTRICAL CABLING FOR OPTIONAL UNDERBED LIGHT AND ONBOARD BATTERY

- ❶ POWER CORD
- ❷ T-CABLE
- ❸ HEAD CABLE
- ❹ FOOT CABLE
- ❺ HI/LO CABLE (FOOT)
- ❻ HI/LO CABLE (HEAD)
- ❼ BATTERY BACKUP CABLE
- ❽ GROUND WIRE
- ❾ UNDERBED LIGHT (UBL) CABLE



NOTE: Cabling for Beds with Underbed Light and Mounted Battery Backup features is identical to Standard APS beds, except that the T-Cable plugs into Port 2 in the Underbed Light Box and an extra Adapter Cable is plugged into Port 1 on the Underbed Light Box and the HB Port in the Control Box.

A Battery Cable runs from the Control Box directly to an external Battery Pack at the foot end.





SECTION D: SERVICE/REPLACEMENT PARTS
SERVICE/REPLACEMENT PART RECORD (Page 1)

DECKING					
Part Number	Description		QTY	Order Date	Price
999-0844-920SP	Head/Back Deck and Hardware Pack		1 Deck		
999-0844-930SP	OR - Foot Deck and Hardware Pack		1 Deck		
999-0844-940SP	OR - Knee Deck and Hardware Pack		1 Deck		
	Deck Hardware Pack - INCLUDES . . .		1 Pkg		
Separate Hardware Pack 999-0844-990	4	Clevis Pins			
	5	5/16" Retaining Rings (Deck Brackets)			
	2	12mm Retaining Rings (Cntrl Arms to Decks)			
	1	Installation Instruction Sheet			
MOTORS (ACTUATORS)					
Part Number	Description		QTY	Order Date	Price
999-0831-051SP	HI/LO Motor (Cable attached) and Hardware Pack		1 Motor		
999-0822-052SP	OR - Head Motor (Cable attached) and Hardware Pack		1 Motor		
999-0822-053SP	OR - Foot Motor (Cable attached) and Hardware Pack		1 Motor		
	Motor Hardware Pack- INCLUDES . . .		1 Pkg		
Separate Hardware Pack 999-0844-991	2	12mm Retaining Rings			
	2	Hair Pin Clips			
	2	Snap Rings			
	8	Standard Cable Ties			
	1	Installation Instruction Sheet			
CONTROL BOX AND POWER CABLES					
Part Number	Description		QTY	Order Date	Price
999-0831-300SP	Linak Control Box		1 Box		
999-0775-208SP	Detachable 3-Prong Power Cable		1 Cable		
HAND CONTROL PENDANT					
Part Number	Description		QTY	Order Date	Price
999-0831-305SP	Hand Control Pendant (Standard Model)		1 Pendant		
999-0806-301SP	Optional Backlit Hand Control Pendant		1 Pendant		
999-0791-000SP	Hand Control Pendant Holster (Standard for all pendants)		1 Holster		
OPTIONAL UNDERBED LIGHT AND ADAPTER CABLE					
Part Number	Description		QTY	Order Date	Price
999-0806-220SP	Underbed Light		1 Unit		
999-0806-212SP	Underbed Light Adapter Cable		1 Cable		

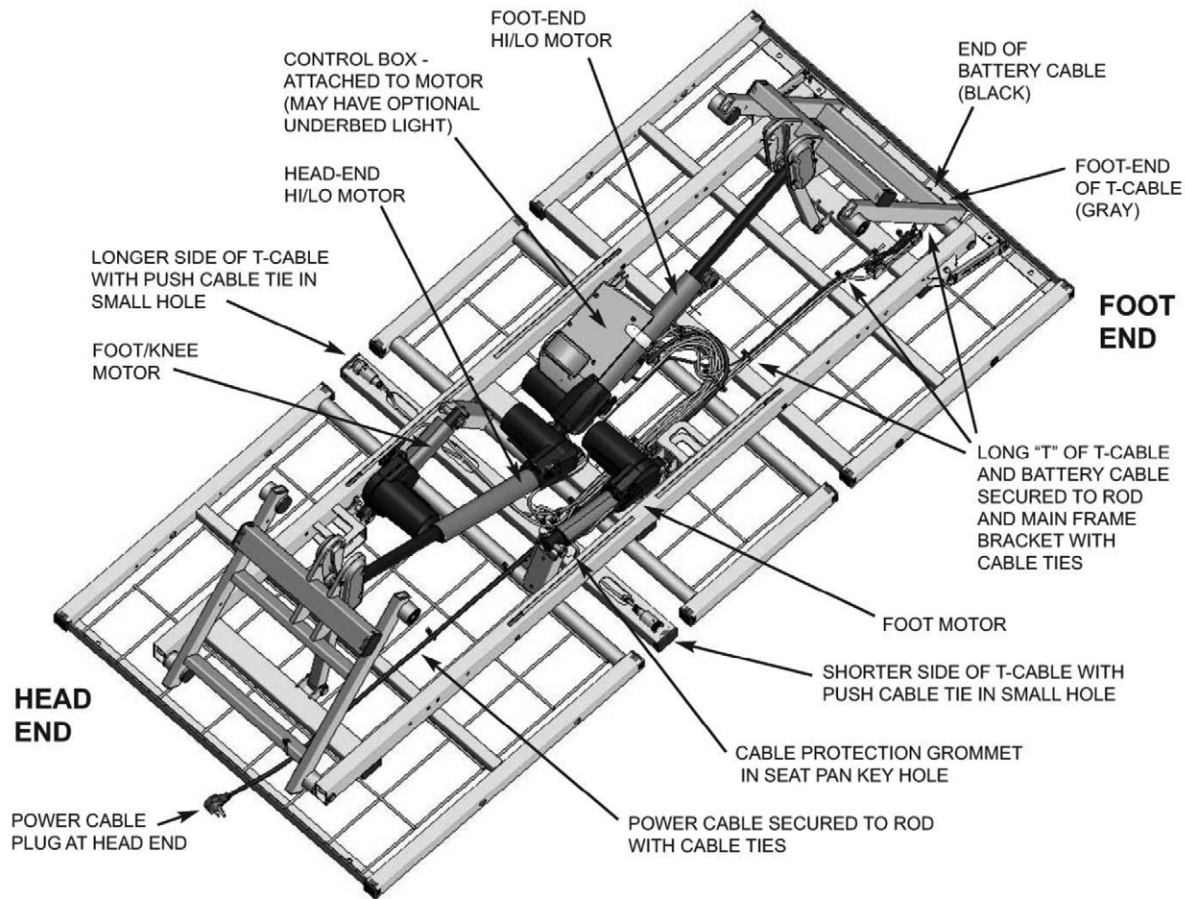


SERVICE/REPLACEMENT PART RECORD (Page 2)

OPTIONAL DOUBLE T-CABLE					
Part Number	Description		QTY	Order Date	Price
999-0806--200SP	Gray Double T Control Cable		1 Pack		
	Double T Cable Hardware Pack - INCLUDES . . .		1 Pkg		
Separate Hardware Pack 999-0844-993	1	Split Stem Cable Retainer (Bumper)			
	2	Push Cable Ties			
	6	Standard Cable Ties			
	1	Installation Instruction Sheet			
OPTIONAL BATTERY BACKUP CABLE AND BATTERY BACKUP PACK					
Part Number	Description		QTY	Order Date	Price
999-0831-003SP	Battery Pack (Portable or Mounted)		1 Pack		
999-0831-200SP	Battery Backup Cable (Needed for Portable Battery Pack)		1 Cable		
STAFF CONTROL					
Part Number	Description		QTY	Order Date	Price
999-0877-901SP	Switch Pad with Bezel and Cables		1 Unit		
ZL877000	Staff Control Service Pack - INCLUDES . . .		1 Pkg		
SEE PAGE 13 FOR INSTALLATION INSTRUCTIONS	1	Switch Pad with Bezel and Cables			
	1	Shroud (Cable Cover)			
	6	#6 Phillips Head Truss Screws			
	3	4" Nylon Cable Ties			
	1	Installation Instruction Sheet			
CAPS AND PLUGS					
Part Number	Description		QTY	Order Date	Price
NOTE: CAPS AND PLUGS CAN ONLY BE PURCHASED IN SETS OF 12					
100-4200-004PK	1.25" x 1.25" Square Caps Pack		12/pkg		
100-4700-015PK	1.00" x 1.00" Square Caps Pack (arm ends)		12/pkg		
100-4700-017PK	1.00" x 2.00" Rectangular Caps Pack		12/pkg		
100-4700-021PK	.75" x 1.50" Rectangular Caps Pack		12/pkg		
100-4700-018PK	1.25" x 2.00" Rectangular Caps Pack		12/pkg		
100-4715-011PK	1.50" Round End Caps Pack (cover arm bearings)		12/pkg		
999-0775-001PK	Half Moon End Caps Pack (caster bases)		12/pkg		
100-4762-002PK	5/8" Round Plugs Pack (both sides of foot deck)		12/pkg		
100-4738-005PK	3/8" Round Plugs (on main frame rails - foot end)		12/pkg		
SEE PAGES 31 AND 32 FOR GENERAL CAP/PLUG DIAGRAMS					



SERVICE/REPLACEMENT PART DIAGRAM - ELECTRONICS



- **TO ORDER A REPLACEMENT HI/LO MOTOR USE SERVICE PACK 999-0831-051SP** (Includes motor, mounting hardware, and installation instruction sheet).
- **TO ORDER A REPLACEMENT HEAD MOTOR USE SERVICE PACK 999-0822-052SP** (Includes motor, mounting hardware, and installation instruction sheet).
- **TO ORDER A REPLACEMENT FOOT MOTOR USE SERVICE PACK 999-0822-053SP** (Includes motor, mounting hardware, and installation instruction sheet).
- **TO ORDER A REPLACEMENT CONTROL BOX USE PART NO. 999-0831-300SP** (Includes control box, detachable power cord, control cable, ground wire screw, cable ties, and installation instruction sheet).
- **TO ORDER A REPLACEMENT DOUBLE T-CABLE USE SERVICE PACK 999-0806-200SP** (Includes T-Cable, cable ties, grommets, and installation instruction sheet).
- **TO ORDER A REPLACEMENT CONTROL CABLE USE PART NO. 999-0844-200SP.** (Includes cable, two cable ties, and installation instruction sheet).
- **TO ORDER A NEW UNDERBED LIGHT USE PART NO. 999-0806-220SP.**
- **TO ORDER A NEW LIGHT BOX CABLE USE PART NO. 999-0806-212SP.**

WHEN ORDERING REPLACEMENT PARTS FROM CUSTOMER SERVICE, HAVE THE BED SERIAL NUMBER AVAILABLE TO CONFIRM WHETHER THE PART IS COVERED UNDER WARRANTY. (SEE PAGE 21 FOR LOCATION OF SERIAL NUMBER ID LABEL.)

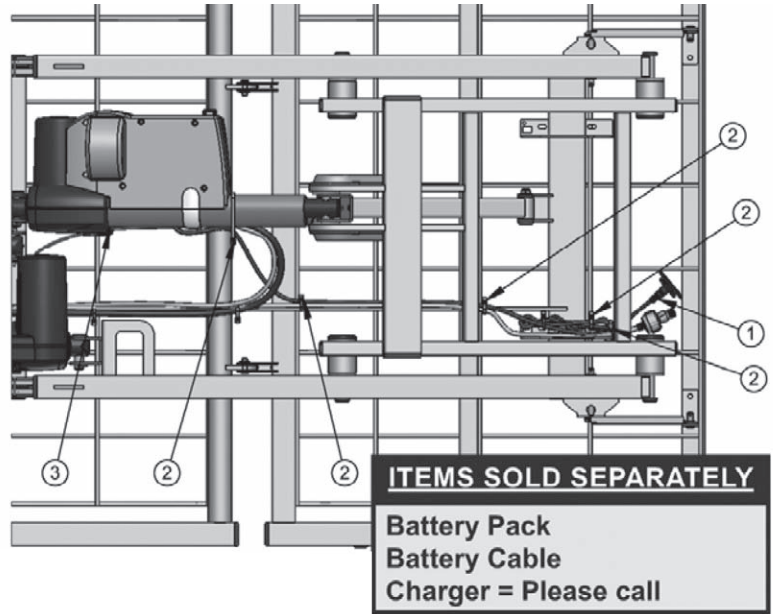


OPTIONAL BATTERY BACKUP REPLACEMENT CONFIGURATIONS

Configuration 1: Replacing Single Battery Cable for a “Portable” Battery Backup Unit

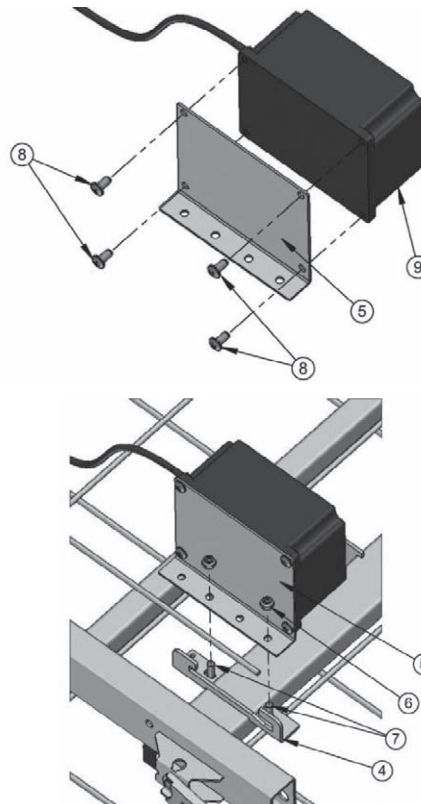
To replace the existing battery backup cable (Part 999-0831-200SP):

1. If the external battery unit is connected, unplug it from the foot-end battery cable plug (#1).
2. Carefully cut all cable ties (#2).
3. Unplug the existing cable from the Control Box (#3). Plug in the new cable and run along same path as previous cable.
4. Use cable ties to re-secure to tie rod and mounting brackets (#2).



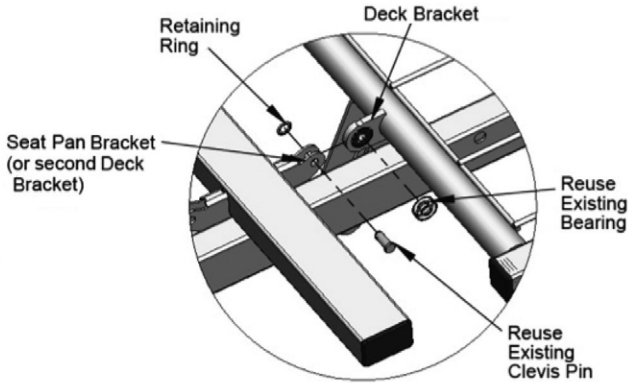
Configuration 2: Replacing Mounted Battery Backup Unit (Includes Attached Battery Cable)

1. If the bed came with a mounted Battery Backup Pack (Part 999-0831-003) unplug the power cord from the wall unit, then unplug the attached battery cable from the Control Box. Carefully cut all cable ties along the battery cable.
2. Using a 3/8” socket wrench, remove the two Nylon Lock Nuts (#6 – Part 100-6725-003) that secure the Battery Mounting Bracket (#5 – Part 999-0831-001G) to the welded Main Frame Bracket (#4). Remove the bolts (#7 – Part 100-5225-009) and set aside.
3. Once the Bracket and Battery Pack (#9) are free, remove the pack from the bracket by unscrewing the four Phillips Head Screws (#8 – Part 100-5414-001). Place the new battery pack on the bracket and reverse the process to reattach bracket and cable.

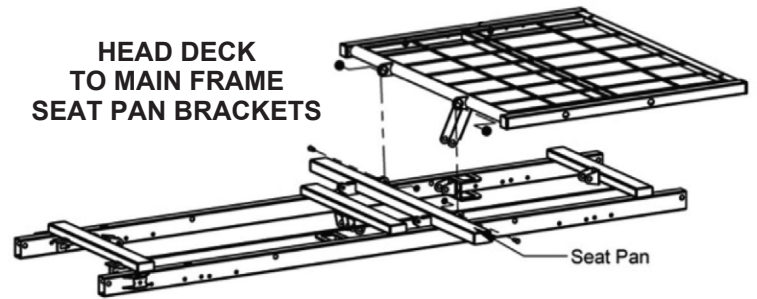




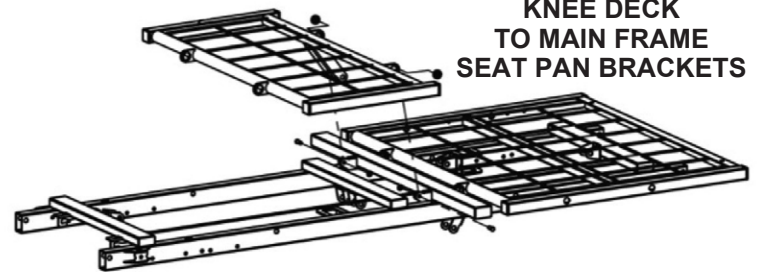
SECTION E: DECK/MECHANICAL SERVICE PARTS SERVICE/REPLACEMENT PARTS DIAGRAM - DECKING



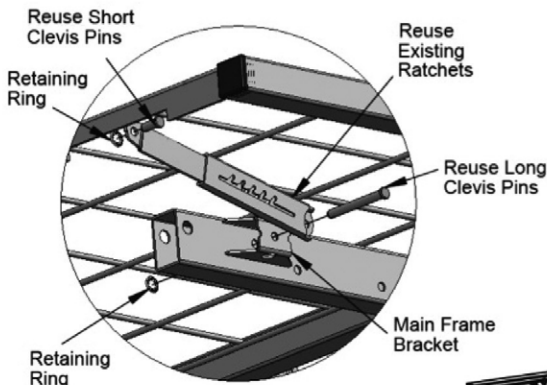
DETAIL OF DECK ATTACHMENT
(Similar for all decks)



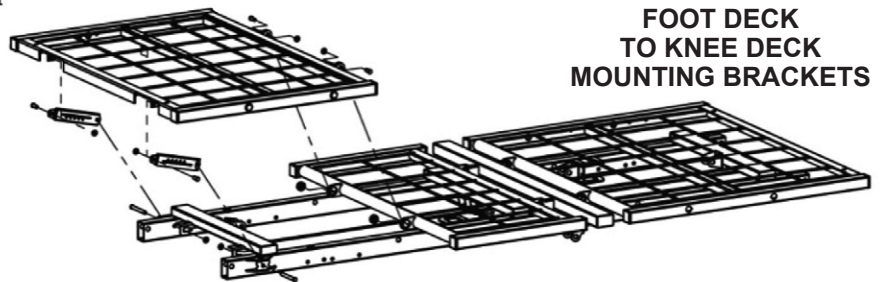
HEAD DECK TO MAIN FRAME SEAT PAN BRACKETS



KNEE DECK TO MAIN FRAME SEAT PAN BRACKETS



DETAIL OF EDEMA RATCHET REATTACHMENT
(Use existing ratchets and hardware)



FOOT DECK TO KNEE DECK MOUNTING BRACKETS

• **TO ORDER A REPLACEMENT HEAD DECK USE SERVICE PACK 999-0844-920SP** (includes deck, mounting hardware, and installation instruction sheet).

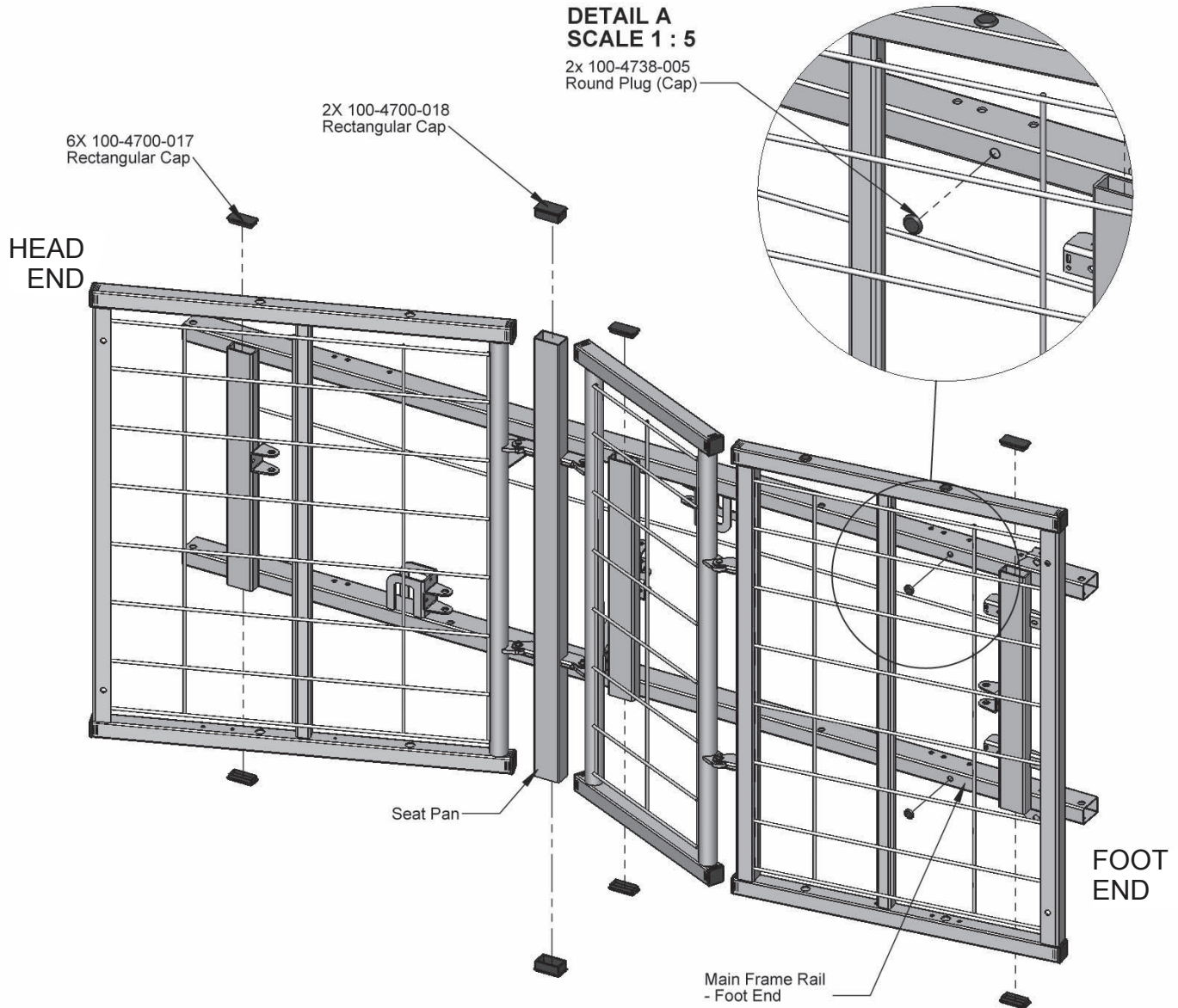
• **TO ORDER A REPLACEMENT KNEE DECK USE SERVICE PACK 999-0844-940SP** (includes deck, mounting hardware, and installation instruction sheet).

• **TO ORDER A REPLACEMENT FOOT DECK USE SERVICE PACK 999-0844-930SP** (includes deck, mounting hardware, and installation instruction sheet). Reuse existing edema ratchets and ratchet hardware.

WHEN ORDERING REPLACEMENT PARTS FROM CUSTOMER SERVICE, HAVE THE BED SERIAL NUMBER AVAILABLE TO CONFIRM WHETHER THE PART IS COVERED UNDER WARRANTY. (SEE PAGE 21 FOR LOCATION OF SERIAL NUMBER ID LABEL.)



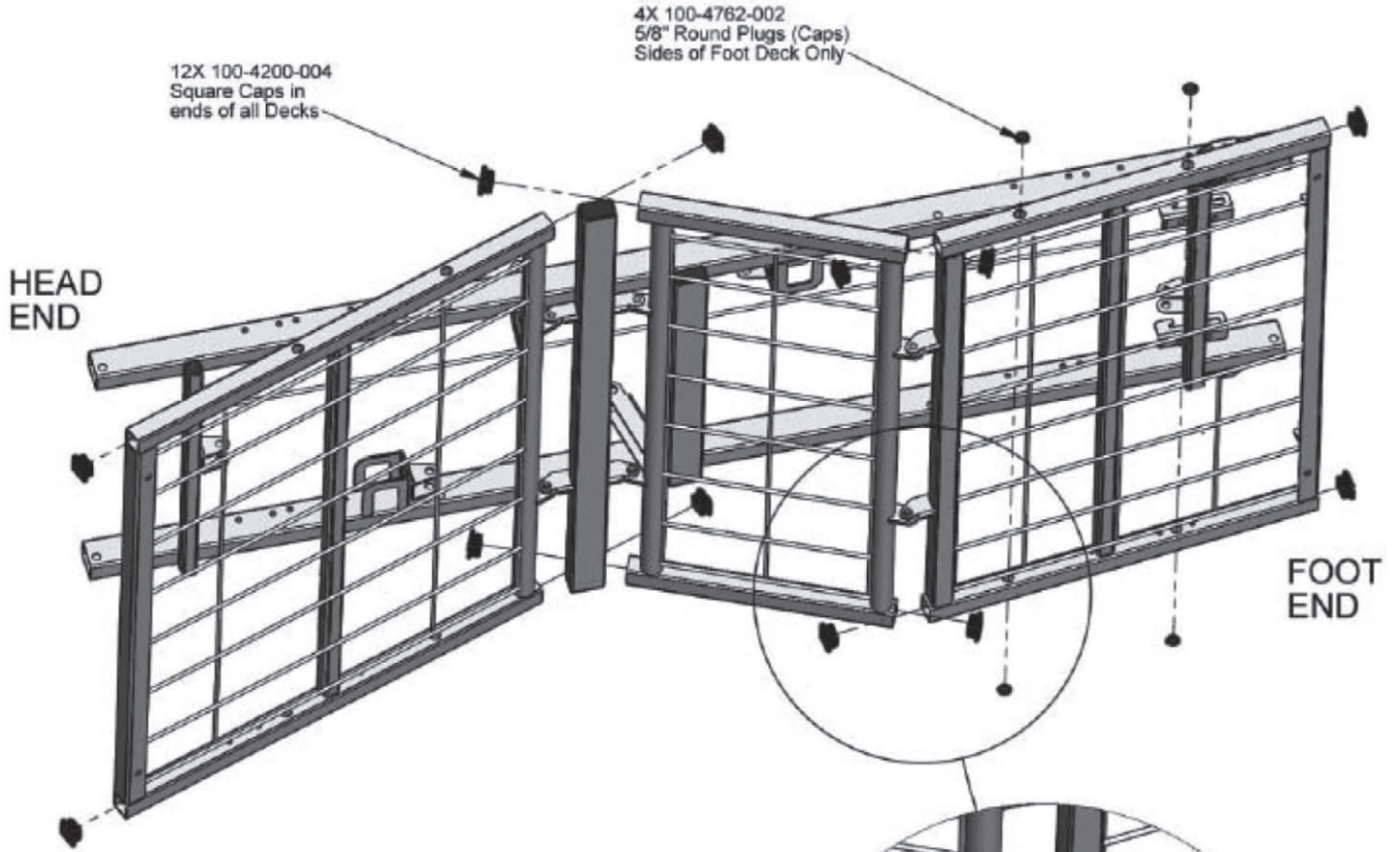
SERVICE/REPLACEMENT PARTS DIAGRAM - MAIN FRAME CAPPING



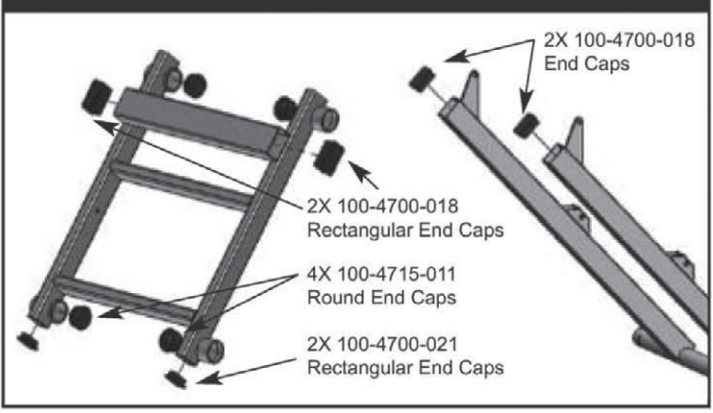
CAPS AND PLUGS ARE NOT COVERED UNDER WARRANTY
 (PACKS OF 12 CAN BE ORDERED IN THE EVENT YOU DAMAGE OR LOSE
 ANY BED CAPS OR PLUGS - SEE BOTTOM OF PAGE 27 FOR ORDER NUMBERS)



SERVICE/REPLACEMENT PARTS DIAGRAM - HEAD, KNEE, AND FOOT DECK CAPPING



CAPPING ON ARMS & LEGS



**CAPS AND PLUGS ARE NOT COVERED UNDER WARRANTY
(PACKS OF 12 CAN BE ORDERED IN THE EVENT YOU DAMAGE OR LOSE
ANY BED CAPS OR PLUGS - SEE BOTTOM OF PAGE 27 FOR ORDER NUMBERS)**



SECTION F: TROUBLESHOOTING

NOTHING WORKS — NO POWER

! ALWAYS UNPLUG THE POWER CORD BEFORE PERFORMING MAINTENANCE ON THE BED.

1. Verify there is power in the wall outlet. Unplug the power cord from the outlet and test the outlet by plugging in a lamp or similar portable device. **OUTLET WORKS:** Move to Step 2.
2. Plug the power cord into the outlet – **NOTHING WORKS: UNPLUG THE POWER CORD** and check the power cord from the head end to the control box, ensuring it is not pinched, frayed, or damaged in any way.
 - a. **POWER CORD IS PINCHED:** With power cord unplugged, move the bed part slightly to release the pinched cord. If you can release the cord, replug the power cord into the outlet and test the bed.
 - b. **BED WORKS:** Ensure the cord is not frayed or exposed. If it is OK, you should not have to replace.
 - c. **POWER CORD IS DAMAGED:** Cut cable ties and immediately replace power cord.

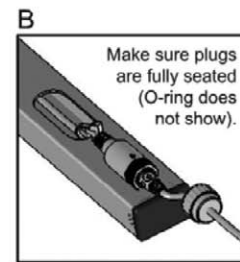
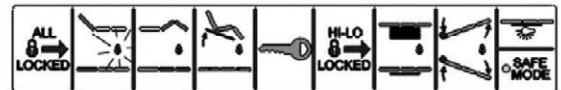


IF 3-PRONG POWER CORD IS DAMAGED, REPLACE IT IMMEDIATELY!

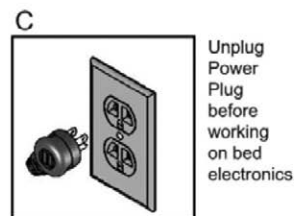
TROUBLESHOOTING PENDANT AND DOUBLE T-CABLE: STAFF CONTROL WORKS, BUT HAND CONTROL PENDANT FUNCTION DOESN'T

1. Check panel to see if Staff Control functions are locked out; if orange lock icon illuminates then that function is locked out. Press Key and Function (e.g. Head) buttons simultaneously until orange lock icon de-illuminates. Test function. If **PENDANT STILL DOESN'T WORK:** Go to step 2.
2. Check the connections at seat pan (Hand Control Pendant to T-cable) and Staff Control cable connection to T-cable at the foot end, ensuring plugs are fully engaged. Also check T-cable connection at Control Box. If you have the optional Underbed Light feature, ensure all cables are secure. If **PENDANT STILL DOESN'T WORK:** Go to step 3.
3. UNPLUG POWER CORD FROM WALL OUTLET.
4. Unplug Hand Control Pendant plug from T-cable end on either side of Seat Pan. Unplug Staff Control cable from foot end of T-cable and unplug other end from Control Box.
5. Plug Hand Control Pendant directly into Control Box HB port, ensuring it is fully seated. Plug in power cord and test Hand Control Pendant.
 - a. **ALL BUTTONS WORK:** Replace T-cable (see page 27 for order info).
 - b. **NOTHING WORKS:** Continue Troubleshooting on next page.

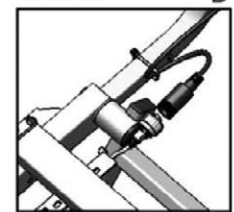
If orange lock icon lit, press key symbol and function to unlock. **A**



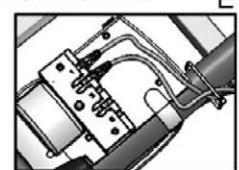
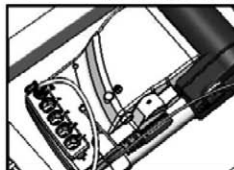
Make sure plugs at foot end are fully seated and cap locked on. **B**



Unplug Staff Control Cable from T-Cable at foot end. **D**

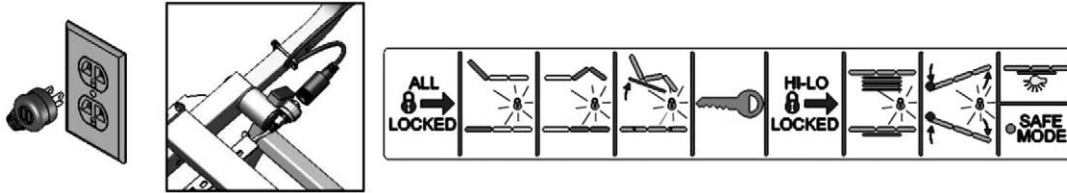


Plug Pendant Cable directly into HB port on Control Box (or into port 2 in Underbed Light Box) and test. **E**





TROUBLESHOOTING STAFF CONTROL: STAFF CONTROL LIGHTS BLINK; NOTHING ON STAFF CONTROL WORKS, BUT HAND CONTROL PENDANT WORKS

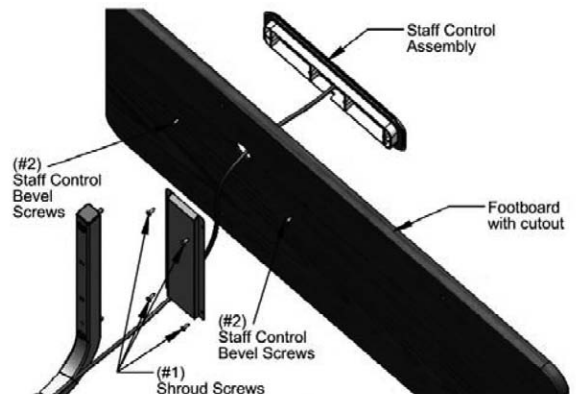


! ALWAYS UNPLUG THE POWER CORD BEFORE PERFORMING MAINTENANCE ON THE BED.

1. This could mean the Staff Control is not getting enough power from the Control Box.
2. Unplug the power cord from the wall outlet. Unplug the Staff Control cable from the T-cable at the foot end of the bed.
3. If you have a spare Staff Control assembly, plug the cable into the foot end T-cable and test.
 - a. **STAFF CONTROL WORKS AND LIGHTS NO LONGER BLINK:** Replace the Staff Control Assembly (see page 36 for replacement; see page 27 for order info).
 - b. **STAFF CONTROL DOESN'T WORK AND LIGHTS STILL BLINK:** Continue Troubleshooting below.

TROUBLESHOOTING STAFF CONTROL: NOTHING ON STAFF CONTROL WORKS, BUT HAND CONTROL PENDANT WORKS

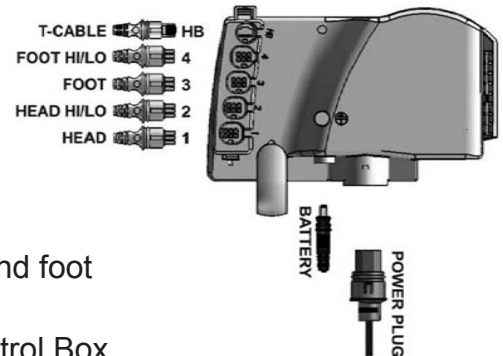
1. Check the Staff Control connections at the foot end. Is the Staff Control cable plugged securely into the T-cable? Also check if the other end of the T-cable is plugged securely into the Control Box (or Underbed Light). If the **STAFF CONTROL STILL DOESN'T WORK:** go to step 2.
2. Unplug the power cord from the wall outlet. Remove the Cable Cover (Shroud) on the inside of the footboard and locate the single terminal end that plugs directly into the back of the Staff Control Panel. Ensure it is properly seated in the panel. Plug in the power cord and test the Staff Control. If the **STAFF CONTROL STILL DOESN'T WORK:** Replace the Staff Control Assembly (see page 36 for replacement; see page 31 for order info).





TROUBLESHOOTING MOTOR CABLES AND CONTROL BOX: A: HEAD, FOOT, OR HI/LO FUNCTION NOT WORKING

1. Check plugs to ensure they are plugged into the correct ports and firmly seated (see picture at right).
2. Check all cables to ensure they are not frayed, pinched, or damaged in any way. If any cable is damaged, UNPLUG THE POWER CORD FROM THE WALL OUTLET AND REPLACE THE CABLE AND/OR THE ELECTRONIC COMPONENT.
3. **HEAD DECK NOT RISING:** Unplug power cord. Switch head and foot plugs (Ports 1 and 3). Replug power cord.
 - a. **HEAD WORKS:** Control Box head port is bad. Replace Control Box (see page 26 for order info) and press the FOOT button to test.
 - b. **HEAD DOESN'T WORK:** Replace Head Motor (see page 26 for order info).



NOTE: FOOT DOWN will not operate if bed frame is not level. Verify HI/LO is not in CHAIR or REVERSE TRENDELENBURG position.

4. **FOOT AND KNEE DECKS NOT RISING:** Unplug power cord. Switch head and foot plugs (Ports 1 and 3). Replug power cord.
 - a. **FOOT WORKS:** Control Box foot port is bad. Replace Control Box (see page 26 for order info) and press HEAD button to test.
 - b. **FOOT DOESN'T WORK:** Replace Foot Motor (see page 26 for order info).
5. **BED DOES NOT GO UP AND DOWN IN HORIZONTAL POSITION:** If you press the Up or Down HI/LO button and you hear a click or buzz but nothing happens: Check the HI/LO Motors by touching them and pressing HI/LO buttons.
 - a. **YOU FEEL NOTHING:** Possible bad motor; go to step B. at bottom of page.
 - b. **YOU FEEL SLIGHT VIBRATION:** MOTOR OK.
 - c. Unplug power cord; switch Control Box HI/LO plugs (ports 2 and 4). Replug power cord and press same HI/LO button, then touch same nonvibrating motor.
 - **MOTOR NOW VIBRATES:** Bad Control Box port: Replace Control Box (see page 26 for order info).
 - **MOTOR DOES NOT VIBRATE:** Replace bad HI/LO Motor (see page 26 for order info).

B. BED LOOKS UNLEVEL — HI/LO MOTORS ARE NOT IN SYNC

On the Pendant Hand Control, **simultaneously press and hold both** HI/LO Up and HI/LO Down buttons (Control Box should start beeping) for approximately five seconds until beeping stops. Release the buttons, then press the HI/LO Down button and hold until bed is lowered completely into the lowest height position. When both HI/LO motors reach their lowest position, HI/LO motors will automatically resynchronize.

QUICK REFERENCE

- **HI/LO AND FOOT WORKS, BUT HEAD DOES NOT:** Switch Head and Foot Motor Cable at the Control Box and test (see step 3 above).
- **HI/LO & HEAD WORKS, BUT FOOT DOES NOT:** Switch Foot and Head Motor Cable at the Control Box and test (see Step 4 above).
- **HEAD & FOOT WORKS, BUT HI/LO DOES NOT:**
 - Switch Head and Foot HI/ LO Motor Cables at the Control Box and test (see Step 5 above).
 - Test to see if HI/LO Motors need to be resynchronized.



TROUBLESHOOTING — REPLACING THE STAFF CONTROL

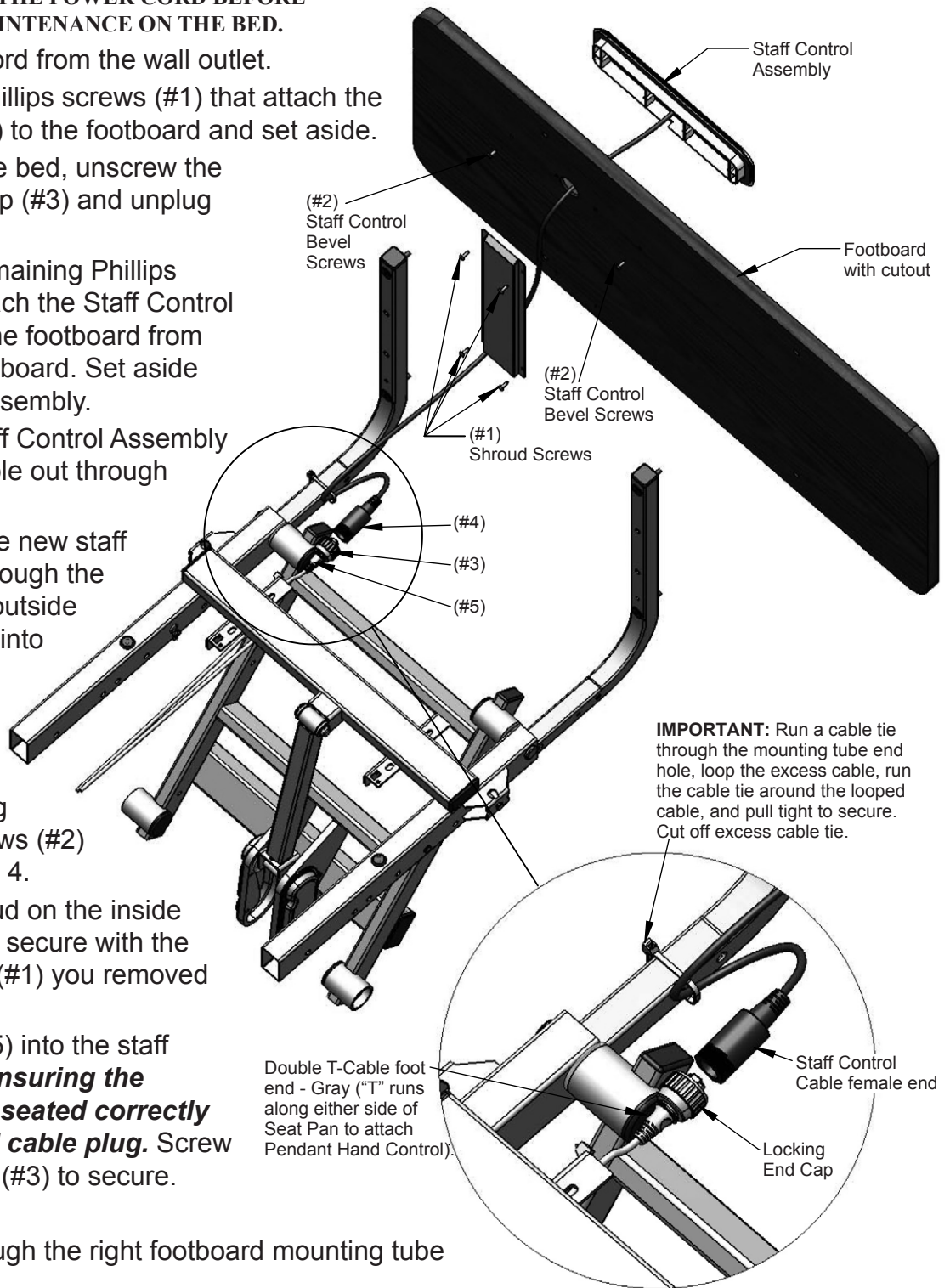


ALWAYS UNPLUG THE POWER CORD BEFORE PERFORMING MAINTENANCE ON THE BED.

1. Unplug the power cord from the wall outlet.
2. Unscrew the four Phillips screws (#1) that attach the shroud (cable cover) to the footboard and set aside.
3. At the foot end of the bed, unscrew the T-Cable retaining cap (#3) and unplug the two cables.
4. Unscrew the two remaining Phillips screws (#2) that attach the Staff Control assembly bevel to the footboard from the inside of the footboard. Set aside screws for later reassembly.
5. Remove the old Staff Control Assembly and feed the old cable out through the large hole.
6. Feed the cable of the new staff control assembly through the large hole from the outside and insert the bevel into the cutout on the outside of the footboard.
7. Secure the staff control by reinserting the two Phillips screws (#2) you removed in step 4.
8. Reposition the shroud on the inside of the footboard and secure with the four Phillips screws (#1) you removed in step 2.
9. Plug the T-Cable (#5) into the staff control cable (#4), **ensuring the phone jack plug is seated correctly in the Staff Control cable plug.** Screw on the retaining cap (#3) to secure.

Important:

10. Run a cable tie through the right footboard mounting tube large end hole.
11. Loop the excess Staff Control cable. Run the cable tie around the cable and pull tight to secure. Cut off any excess cable tie.



IMPORTANT: Run a cable tie through the mounting tube end hole, loop the excess cable, run the cable tie around the looped cable, and pull tight to secure. Cut off excess cable tie.

Double T-Cable foot end - Gray ("T" runs along either side of Seat Pan to attach Pendant Hand Control).

Staff Control Cable female end

Locking End Cap



LIMITED WARRANTY

SCOPE OF WARRANTY

GF Health Products, Inc. ("GF") warrants to the original purchaser only that it will replace or repair components, at GF's sole discretion, that are defective in material or workmanship under normal use and service. All warranties are conditioned upon the proper use of the products strictly in accordance with good commercial practice and applicable GF instructions and manuals, including proper use and maintenance. To the extent that a component is warranted by a third party, GF conveys all of its rights under that warranty to the original purchaser, to the extent permitted.

This limited warranty shall only apply to defects that are reported to GF's customer service team within the applicable warranty period and which, upon examination by GF or its authorized representative, prove to be a warranty item. This limited warranty is not transferable.

The warranted components and time period are set forth below:

- Main Frame and welds: fifteen years
 - Control Box and Actuator Motors: five years
 - Hand Control Pendant, Staff Control, and Cabling. three years
 - Headboard and Footboard one year
 - All other durable components not listed above: two years
- Subsequent service parts under warranty until the original warranty set forth above expires, or for one year, whichever is greater.

The applicable warranty period shall commence from date of shipment to the original customer, unless there is an expiration date on the component in which case the warranty shall expire on the earlier of warranty period or the expiration date.

OBTAINING WARRANTY SERVICE

This limited warranty shall only apply to defects that are reported to the Distributor from whom the Customer purchased the product within the applicable warranty period. If there is not a Distributor, you must contact GF directly by calling 770-368-4700, sending a fax request to 770-368-2386, or by e-mailing a request to cs@grahamfield.com. Specific directions will be provided by the Customer Service Representative. Failure to abide by the specific directions will result in denial of the warranty claim.

EXCLUSIONS

The warranty does not cover and GF shall not be liable for the following:

- 1) Defects, damage, or other conditions caused, in whole or in part, by misuse, abuse, negligence, alteration, accident, freight damage, tampering or failure to seek and obtain repair or replacement in a timely manner;
- 2) Products which are not installed, used, or properly cleaned and maintained as required in the official manual for the applicable product;
- 3) Products considered to be of a non-durable nature including, but not limited to: casters, filters, fuses, gaskets, lubricants, and charts;
- 4) Accessories or parts not provided by GF;
- 5) Charges by anyone for adjustments, repairs, replacement parts, installation or other work performed upon or in connection with such products which are not expressly authorized in writing, in advance, by GF;
- 6) Any labor or shipping charges incurred in the replacement part installation or repair;
- 7) Costs and expenses of regular maintenance and cleaning; and
- 8) Representations and warranties made by any person or entity other than GF.



ENTIRE WARRANTY, EXCLUSIVE REMEDY AND CONSEQUENTIAL DAMAGES DISCLAIMER

THIS WARRANTY IS GF'S ONLY WARRANTY AND IS IN LIEU OF ALL OTHER WARRANTIES, EXPRESS OR IMPLIED. GF MAKES NO IMPLIED WARRANTIES OF ANY KIND INCLUDING ANY IMPLIED WARRANTIES OF MERCHANTABILITY OR FITNESS FOR A PARTICULAR PURPOSE.

IF ANY MODEL OR SAMPLE WAS SHOWN TO THE CUSTOMER, SUCH MODEL OR SAMPLE WAS USED MERELY TO ILLUSTRATE THE GENERAL TYPE AND QUALITY OF THE PRODUCT AND NOT TO REPRESENT THAT THE PRODUCT WOULD NECESSARILY CONFORM TO THE MODEL OR SAMPLE IN ALL RESPECTS.

THIS WARRANTY IS LIMITED TO THE REPAIR OR REPLACEMENT OF THE DEFECTIVE PARTS. GF SHALL NOT BE LIABLE FOR AND HEREBY DISCLAIMS ANY DIRECT, SPECIAL, INDIRECT, INCIDENTAL, EXEMPLARY OR CONSEQUENTIAL DAMAGES, INCLUDING, BUT NOT LIMITED TO: DAMAGES FOR LOSS OF PROFITS OR INCOME, LOSS OF USE, DOWNTIME, COVER, OR EMPLOYEE OR INDEPENDENT CONTRACTOR WAGES, PAYMENTS AND BENEFITS.

The warranties contained herein contain all the representations and warranties with respect to the subject matter of this document, and supersede all prior negotiations, agreements and understandings with respect thereto. The recipient of this document hereby acknowledges and represents that it has not relied on any representation, assertion, guarantee, warranty, collateral contract or other assurance, except those set out in this document.

For additional information on this product or this warranty, contact a GF Customer Service Representative.

NOTES:

- 1) Additional terms and conditions may apply.
- 2) Freight claims must be notated on the appropriate shipping documents and must be made with immediacy. International, federal and state regulations govern specific requirements for freight claims. Failure to abide by those regulations may result in a denial of the freight claim. GF will assist you in filing the freight claim.
- 3) Claims for any short shipment must be made within three (3) days of the invoice date.

GF Health Products, Inc.
2935 Northeast Parkway
Atlanta, GA 30360
Tel 770-368-4700
Fax 770-368-2386
www.grahamfield.com

**If you have questions regarding a bed's warranty,
contact Basic American Medical Products at 770-368-4700.**



GRAHAM-FIELD

www.grahamfield.com

GF Health Products, Inc.
2935 Northeast Parkway
Atlanta, Georgia 30360

Customer Service: phone 770-368-4700, fax 770-368-2386

© 2013 GF Health Products, Inc., All Rights Reserved

Basic American Medical Products and Zenith are
registered trademarks of GF Health Products, Inc.