

Info: The most current version of these instructions can be found online at www.grahamfield.com.

Tools needed: 5/8 wrench, M6 hex key (included)

IMPORTANT SAFETY INFORMATION: PLEASE READ

- ⚠ **WARNING: Important! Read and understand these instructions before assembling or using the GF8903P Overbed Table. If you do not understand any part of these instructions, contact a healthcare professional for direction in the use of this product. If the overbed table is not properly assembled and adjusted, personal injury and/or damage to the overbed table could result.**
- ⚠ **WARNING: If components are damaged or missing, contact your dealer immediately. DO NOT use substitute parts. Use only Lumex replacement parts. Non-Lumex replacement parts could cause personal injury and/or damage to overbed table.**
- ⚠ **WARNING: Notice for California Customers- California Proposition 65 WARNING: This product contains a chemical known to the State of California to cause cancer and reproductive or developmental harm.**
- ⚠ **WARNING: GF Health Products, Inc. assumes no responsibility for any damage or injury caused by improper assembly or use of this product.**

UNPACKING

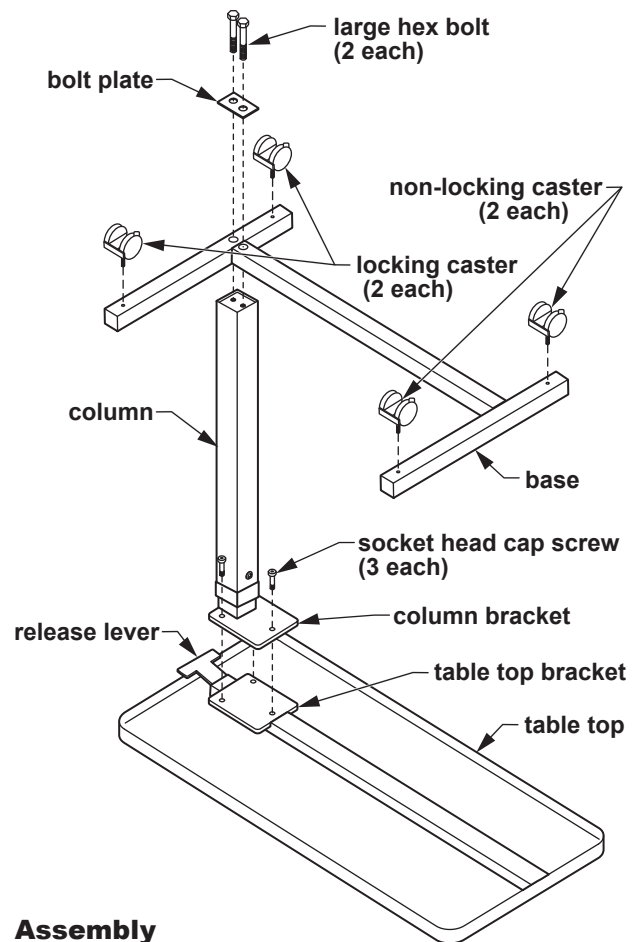
Check for any obvious damage to the carton or its contents. If damage is evident, DO NOT USE. Contact carrier / distributor for further instruction.

ASSEMBLY

- ⚠ **WARNING: The column is telescoping and spring-loaded — handle with care during assembly. DO NOT disassemble the column; this could cause serious personal injury.**

1. Place table top upside down on a level surface as shown at right.
2. Position column bracket above table top bracket as shown at right, with holes matched, and lower column onto table top. Insert socket head cap screws through column bracket into table top bracket as shown. Use M6 hex key to tighten the screws.
3. Place the base upside down above the column as shown at right. Install the two large hex bolts through the bolt plate, base, and into column end as shown. Use 5/8 wrench to tighten the bolts.
4. Note position of casters, facing away from table top, with the two locking casters at the column end of the base. Insert caster bolts into base as shown at right. Screw casters in securely.
5. TURN THE TABLE UPRIGHT and place it on the floor.

- ⚠ **WARNING: Ensure that the table is assembled as described, and that all components are securely attached, before use.**



Assembly

OPERATION

⚠ WARNING: Do not lean on the suspended end of the table top; this may cause the table to tip.

⚠ WARNING: The table supports up to 22.7 kg (50 lb) of dispersed weight, EVENLY DISTRIBUTED. Do not exceed this limit.

Raise the table top

Table height is adjustable from 72 cm to 106 cm (28.3" to 41.7"). To raise the table top, apply light pressure upward at any point on bottom of table top and stop when the table top has reached the desired height.

Lower the table top

With one hand, squeeze the release lever and table top edge together and push the table top down until it has reached the desired height. The table top will lock into place when the lever is released.

Lock and unlock casters

The two column-end casters have step-on locks. Step on the locks to lock the casters; pull the locks up to unlock the casters.

MAINTENANCE

Check the fit and tightness frequently of all fasteners, and tighten as necessary, to ensure that the table is securely assembled.

Cleaning

1. To clean: Gently wipe the table with a soft, clean, damp cloth.

▲ NOTICE: Do not use cleansers that could damage the table's finish.

2. To wash more thoroughly: Clean with mild soap and water.

3. Dry table with a clean, soft cloth.

LIMITED WARRANTY

SCOPE OF WARRANTY

GF Health Products, Inc. ("GF") warrants to the original purchaser only that it will replace or repair components, at GF's sole discretion, that are defective in material or workmanship under normal use and service. All warranties are conditioned upon the proper use of the products strictly in accordance with good commercial practice and applicable GF instructions and manuals, including proper use and maintenance. To the extent that a component is warranted by a third party, GF conveys all of its rights under that warranty to the original purchaser, to the extent permitted. This limited warranty shall only apply to defects that are reported to GF's customer service team within the applicable warranty period and which, upon examination by GF or its authorized representative, prove to be a warranty item. This limited warranty is not transferable. Within the guidelines set forth in this document, this product is warranted for one (1) year. The applicable warranty period shall commence from date of shipment to the original customer, unless there is an expiration date on the component in which case the warranty shall expire on the earlier of warranty period or the expiration date.

OBTAINING WARRANTY SERVICE

A GF Customer Service Representative must authorize warranty service. Please contact the GF Customer Service department by calling 678-291-3207, sending a fax request to 770-368-2386 or by e-mailing a request to cs@grahamfield.com. Specific directions will be provided by the Customer Service Representative. Failure to abide by the specific directions will result in denial of the warranty claim.

EXCLUSIONS

The warranty does not cover and GF shall not be liable for the following:

- 1) Defects, damage, or other conditions caused, in whole or in part, by misuse, abuse, negligence, alteration, accident, freight damage, tampering or failure to seek and obtain repair or replacement in a timely manner;
- 2) Products which are not installed, used, or properly cleaned and maintained as required in the official manual for the applicable product;
- 3) Products considered to be of a non-durable nature including, but not limited to: casters, filters, fuses, gaskets, lubricants, and charts;
- 4) Accessories or parts not provided by GF;
- 5) Charges by anyone for adjustments, repairs, replacement parts, installation or other work performed upon or in connection with such products which are not expressly authorized in writing, in advance, by GF;
- 6) Any labor or shipping charges incurred in the replacement part installation or repair;
- 7) Costs and expenses of regular maintenance and cleaning; and
- 8) Representations and warranties made by any person or entity other than GF.

ENTIRE WARRANTY, EXCLUSIVE REMEDY AND CONSEQUENTIAL DAMAGES DISCLAIMER

THIS WARRANTY IS GF'S ONLY WARRANTY AND IS IN LIEU OF ALL OTHER WARRANTIES, EXPRESS OR IMPLIED. GF MAKES NO IMPLIED WARRANTIES OF ANY KIND INCLUDING ANY IMPLIED WARRANTIES OF MERCHANTABILITY OR FITNESS FOR A PARTICULAR PURPOSE. IF ANY MODEL OR SAMPLE WAS SHOWN TO THE CUSTOMER, SUCH MODEL OR SAMPLE WAS USED MERELY TO ILLUSTRATE THE GENERAL TYPE AND QUALITY OF THE PRODUCT AND NOT TO REPRESENT THAT THE PRODUCT WOULD NECESSARILY CONFORM TO THE MODEL OR SAMPLE IN ALL RESPECTS. THIS WARRANTY IS LIMITED TO THE REPAIR OR REPLACEMENT OF THE DEFECTIVE PARTS. GF SHALL NOT BE LIABLE FOR AND HEREBY DISCLAIMS ANY DIRECT, SPECIAL, INDIRECT, INCIDENTAL, EXEMPLARY OR CONSEQUENTIAL DAMAGES, INCLUDING, BUT NOT LIMITED TO: DAMAGES FOR LOSS OF PROFITS OR INCOME, LOSS OF USE, DOWNTIME, COVER, OR EMPLOYEE OR INDEPENDENT CONTRACTOR WAGES, PAYMENTS AND BENEFITS.

The warranties contained herein contain all the representations and warranties with respect to the subject matter of this document, and supersede all prior negotiations, agreements and understandings with respect thereto. The recipient of this document hereby acknowledges and represents that it has not relied on any representation, assertion, guarantee, warranty, collateral contract or other assurance, except those set out in this document.

For additional information on this product or this warranty, please contact a GF Customer Service Representative.

NOTES:

- 1) Additional terms and conditions may apply.
- 2) Freight claims must be notated on the Bill of Lading and must be made with immediacy. The ICC regulations govern specific requirements for freight claims. Failure to abide by those regulations may result in a denial of the freight claim. GF will assist you in filing the freight claim.
- 3) Claims for any short shipment must be made within thirty (30) days of the invoice date.



GRAHAM-FIELD

www.grahamfield.com

GF Health Products, Inc. is not responsible for typographical errors. For the most updated and current information on packaging, warranties, products and specifications, including the most current version of these instructions, please visit our website at www.grahamfield.com.

Graham-Field and Lumex are registered trademarks of GF Health Products, Inc.

© 2010 GF Health Products, Inc. • 2935 Northeast Parkway, Atlanta, GA 30360 • tel 770-368-4700 • fax 770-368-2386 • Made in China