

Info: The most current version of these instructions can be found online at www.grahamfield.com.

- ⚠ **WARNING: Important! Read and understand these instructions before installing or using the raised toilet seat. If you do not understand any part of these warnings, cautions or instructions, contact a healthcare professional for direction in the use of this product. If the raised toilet seat is not properly assembled and installed, personal injury and damage to the raised toilet seat could result.**
- ⚠ **WARNING: If components are damaged or missing, contact your dealer immediately. DO NOT use substitute parts. Use only Lumex replacement parts. Non-Lumex replacement parts could cause personal injury and damage to the raised toilet seat.**
- ⚠ **WARNING: This product has a maximum weight capacity of 300 lb, EVENLY DISTRIBUTED.**
- ⚠ **WARNING: Notice for California Customers- California Proposition 65 WARNING: This product contains a chemical known to the State of California to cause cancer and reproductive or developmental harm.**
- ⚠ **WARNING: GF Health Products, Inc. assumes no responsibility for any damage or injury caused by improper assembly, installation or use of this product.**

INTENDED USE

The raised toilet seat is intended for use by those who have difficulty sitting down on or standing up from the toilet.

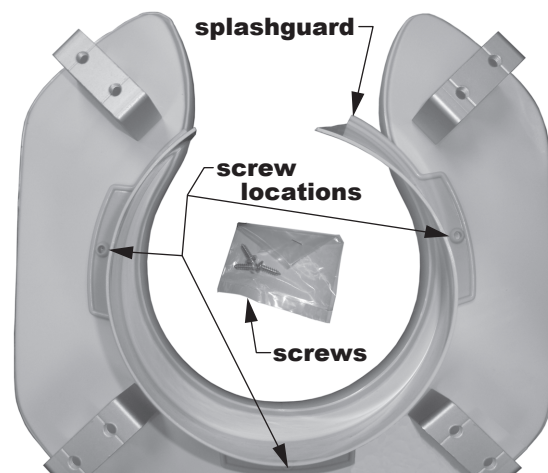
INSTALLATION

Remove raised toilet seat, hardware, and protective packaging from carton. Remove the hardware bag from inside the seat and shield assembly.

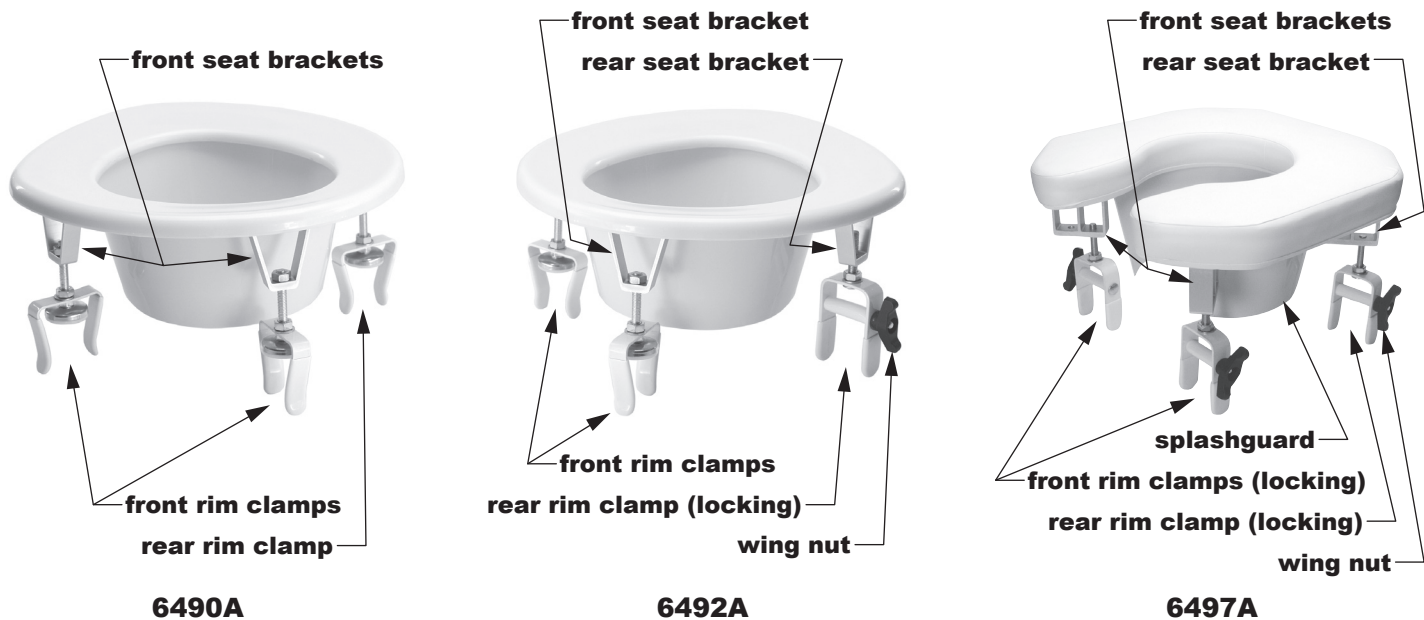
Model 6497A Only

If the splashguard is not attached to the raised toilet seat, perform the following steps to attach it (*tools required: Phillips or blade screwdriver*).

1. Remove hardware containing three screws from bag.
2. Align the three splashguard holes with the three holes on the bottom of the toilet seat, as shown at right.
3. Use a Phillips or blade screwdriver to screw the splashguard to the toilet seat with the provided screws. Start on one side and work your way around to align the holes and install the screws.



6497A: underside with splashguard



All Models

See picture above of each model with components labeled. Each toilet seat has four rim clamps (two front and two rear) that attach the toilet seat to the toilet rim, and four seat brackets (two front and two rear), into which the clamps screw, that adjust seat height.

1. Align front rim clamps to toilet seat rim and snap them on. If clamps are too loose, squeeze them closed slightly to ensure a tight fit.
2. Screw the two front rim clamps into the front seat brackets and adjust seat front to desired height.

⚠ WARNING: For stability, ensure the seat front is adjusted to the same height on both sides.

3. Align back rim clamps to toilet seat rim and snap them on.
4. Screw the two back rim clamps into the back seat brackets and adjust seat back to desired height.

⚠ WARNING: For stability, ensure the seat back is adjusted to the same height on both sides.

Info: For certain situations such as postoperative, hip conditions or arthritis, seat back can be adjusted slightly higher than seat front.

Models 6492A and 6497A (Locking Clamps) Only

Tighten the wing nuts until the sides of the clamps are secure against the sides of the toilet bowl rim.

OPERATION

⚠ WARNING: Always ensure the raised toilet seat is securely installed and fits tightly on toilet bowl before use.

⚠ WARNING: Users with limited physical capabilities should be supervised or assisted when using raised toilet seat.

MAINTENANCE / CLEANING

All Models

⚠ WARNING: Check the raised toilet seat weekly for signs of damage or cracking. If damage is found, DO NOT use the raised toilet seat. Contact your Lumex authorized distributor immediately.

Loosen, retighten, and check for secure fit of raised toilet seat weekly. To clean raised toilet seat, wash with soap and water or a mild household detergent and rinse with clear water. Ensure the raised toilet seat is rinsed well before use.

▲ NOTICE: Never use abrasive cleaners or scouring pads on any part of the raised toilet seat.

Model 6497A Only (Padded Toilet Seat)

The padded toilet seat's heavy-duty vinyl material will provide excellent service under normal conditions. However, care must be taken to avoid puncturing or cutting the vinyl. If the seat is damaged, **avoid further use** for sanitary reasons. Contact your Graham-Field dealer to inquire about replacement seats. Do not submerge rear portion of padded toilet seat in water when cleaning. Keep water away from rear air-bleed hole located on underside of seat.

LIMITED WARRANTY

The following warranty information is a SUMMARY of the complete Product Warranty provided by GF Health Products, Inc. For the complete warranty, please visit our website at www.grahamfield.com. GF Health Products, Inc. ("GF") warrants to the original retail purchaser or lessee (either is the "Customer") only, that it will replace or repair components, at GF's sole discretion, that are defective in material or workmanship under normal use and service. The warranty is for parts only and does not include labor or costs of shipping. All warranties are conditioned upon the proper use of the product strictly in accordance with applicable GF instructions. Product provided to users as rentals must be serviced by the provider and inspected prior to delivery. Each user must be properly trained on the operation and safety of this product prior to use. Within the guidelines set forth in this document, the product is warranted for six (6) months. The applicable warranty period shall commence from date of shipment to the Customer, unless there is an expiration date on the component in which case the warranty shall expire on the earlier of the warranty period or the expiration date.

OBTAINING WARRANTY SERVICE

This limited warranty shall only apply to defects that are reported to the Dealer from whom the Customer purchased the product within the applicable warranty period. If there is not a Dealer, you must contact GF directly by calling 678-291-3207, sending a fax request to 770-368-2386 or by e-mailing a request to cs@grahamfield.com. Specific directions will be provided by the Customer Service Representative.

EXCLUSIONS

The warranty does not cover and GF shall not be liable for the following: 1) Defects, damage, or other conditions caused by misuse, abuse, negligence, alteration, accident, freight damage, tampering or failure to seek and obtain repair or replacement in a timely manner; 2) Products not properly installed, used, or cleaned and maintained; and 3) Labor or shipping charges. Other exclusions apply.

**ENTIRE WARRANTY, EXCLUSIVE REMEDY AND CONSEQUENTIAL DAMAGES
DISCLAIMER**

THIS WARRANTY IS GF'S ONLY WARRANTY AND IS IN LIEU OF ALL OTHER WARRANTIES, EXPRESS OR IMPLIED.

For the complete warranty for this product, please visit our website at www.grahamfield.com.



GRAHAM-FIELD
www.grahamfield.com

GF Health Products, Inc. is not responsible for typographical errors. For the most updated and current information on packaging, warranties, products and specifications, including the most current version of these instructions, please visit our website at www.grahamfield.com. **Graham-Field** and **Lumex** are registered trademarks of GF Health Products, Inc.

© 2011 GF Health Products, Inc. • 2935 Northeast Parkway, Atlanta, GA 30360 • tel 770-368-4700 • fax 770-368-2386 • Made in China