

Tools required: an adjustable wrench

Info: The most current version of these instructions can be found online at www.grahamfield.com.

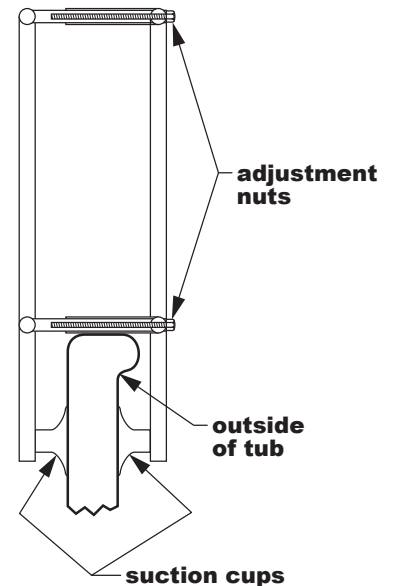
- ⚠ **WARNING: Important! Read and understand these instructions before assembling or using the 69603A Bathtub Safety Rail. If you do not understand any part of these warnings, cautions or instructions, contact a healthcare professional for direction in the use of this product. If the 69603A Bathtub Safety Rail is not properly assembled and adjusted, personal injury and damage to the Bathtub Safety Rail could result.**
- ⚠ **WARNING: If components are damaged or missing, contact your dealer immediately. DO NOT use substitute parts. Use only Lumex replacement parts. Non-Lumex replacement parts could cause personal injury and damage to the Bathtub Safety Rail.**
- ⚠ **WARNING: This product has a weight limit of 300 lb, EVENLY DISTRIBUTED.**
- ⚠ **WARNING: Notice for California Customers- California Proposition 65**
WARNING: This product contains a chemical known to the State of California to cause cancer and reproductive or developmental harm.
- ⚠ **WARNING: This product is NOT recommended for use on fiberglass or plastic bathtubs. GF Health Products, Inc. assumes no responsibility for any damage or injury caused by improper assembly or use of this product.**



69603A Bathtub Safety Rail

INSTALLATION

1. Remove the Bathtub Safety Rail from the box and place it on a flat, dry surface.
2. Remove the four suction cups from the box.
3. Take one suction cup, insert its threaded rod into the Bathtub Safety Rail leg's threaded hole, and turn the suction cup clockwise until tight.
4. Repeat step 3 for the remaining three suction cups.
5. Locate section of bathtub wall where Bathtub Safety Rail is to be mounted. The Bathtub Safety Rail should be mounted ONLY on the straight — not curved — part of bathtub wall. Ensure the tub surface where the suction cups will be installed is smooth, clean, and dry before installing the Bathtub Safety Rail. Clean and dry the suction cups to remove any dust, powder, or foreign particles.
6. Use the wrench to loosen the adjustment nuts. Start with the bottom nut and loosen it approximately four turns, then loosen the top nut approximately four turns. Continue loosening the adjustment nuts as described until the Bathtub Safety Rail is wide enough to fit your bathtub.
7. Place the Bathtub Safety Rail in the desired location on the bathtub. Position it with the adjustment nuts on the outside of the bathtub, as shown at right.
8. Use the wrench to tighten the adjustment nuts. Start with the bottom nut and tighten it approximately four turns, then tighten the top nut approximately four turns. Continue tightening the adjustment nuts as described until the Bathtub Safety Rail is securely fastened to the bathtub.



Tub Section

9. Test installation security by giving a strong pull to the Bathtub Safety Rail in a lengthwise direction to the bathtub. If the Bathtub Safety Rail moves, reset it and tighten it more.

⚠ WARNING: Ensure the Bathtub Safety Rail is installed as described.

OPERATION

⚠ WARNING: Always ensure the Bathtub Safety Rail is secure before use.

⚠ WARNING: Hold the Bathtub Safety Rail firmly when entering or exiting the bathtub.

MAINTENANCE / CLEANING

⚠ WARNING: Check the Bathtub Safety Rail weekly for signs of damage or cracking. If damage or cracking of any component of the Bathtub Safety Rail is found, DO NOT use the safety rail. Contact your Graham-Field provider.

Inspect the Bathtub Safety Rail weekly and tighten it as needed to ensure proper installation.

To clean the Bathtub Safety Rail, wash it with soap and water or a mild detergent, then rinse. Ensure the Bathtub Safety Rail is rinsed well before use.

LIMITED WARRANTY

The following warranty information is a SUMMARY of the complete Product Warranty provided by GF Health Products, Inc. For the complete warranty, please visit our website at www.grahamfield.com. GF Health Products, Inc. ("GF") warrants to the original retail purchaser or lessee (either is the "Customer") only, that it will replace or repair components, at GF's sole discretion, that are defective in material or workmanship under normal use and service. The warranty is for parts only and does not include labor or costs of shipping. All warranties are conditioned upon the proper use of the product strictly in accordance with applicable GF instructions. Product provided to users as rentals must be serviced by the provider and inspected prior to delivery. Each user must be properly trained on the operation and safety of this product prior to use. Within the guidelines set forth in this document, the product is warranted for three (3) years. The applicable warranty period shall commence from date of shipment to the Customer, unless there is an expiration date on the component in which case the warranty shall expire on the earlier of the warranty period or the expiration date.

OBTAINING WARRANTY SERVICE

This limited warranty shall only apply to defects that are reported to the Dealer from whom the Customer purchased the product within the applicable warranty period. If there is not a Dealer, you must contact GF directly by calling 678-291-3207, sending a fax request to 770-368-2386 or by e-mailing a request to cs@grahamfield.com. Specific directions will be provided by the Customer Service Representative.

EXCLUSIONS

The warranty does not cover and GF shall not be liable for the following: 1) Defects, damage, or other conditions caused by misuse, abuse, negligence, alteration, accident, freight damage, tampering or failure to seek and obtain repair or replacement in a timely manner; 2) Products not properly installed, used, or cleaned and maintained; and 3) Labor or shipping charges. Other exclusions apply.

ENTIRE WARRANTY, EXCLUSIVE REMEDY AND CONSEQUENTIAL DAMAGES DISCLAIMER

THIS WARRANTY IS GF'S ONLY WARRANTY AND IS IN LIEU OF ALL OTHER WARRANTIES, EXPRESS OR IMPLIED.

For the complete warranty for this product, please visit our website at www.grahamfield.com.



GF Health Products, Inc. is not responsible for typographical errors. For the most updated and current information on packaging, warranties, products and specifications, including the most current version of these instructions, please visit our website at www.grahamfield.com.

Graham-Field and Lumex are registered trademarks of GF Health Products, Inc.

© 2003 GF Health Products, Inc. • 2935 Northeast Parkway, Atlanta, GA 30360 • tel 770-368-4700 • fax 770-368-2386 • Made in China