



**GF6590BH-1 PATRIOT™ LIBERTY HALF NO-GAP HEAD RAILS:
INSTALLATION & OPERATION INSTRUCTIONS FOR PATRIOT BED**
PLEASE SAVE THESE INSTRUCTIONS FOR FUTURE USE


Info: The most current version of these instructions can be found online at www.grahamfield.com.

Info: Use these instructions to mount rails on Patriot Bed only.

GF6590BH-1 Half No-Gap Head Rails are intended for homecare use or institutional use with Patriot beds. Ensure you have read and understood the following safety information before installing or using the Half No-Gap Head Rails.

- ⚠ WARNING: Important! Read and understand these instructions before installing or using the GF6590BH-1 Patriot Liberty Half No-Gap Head Rails. If you do not understand any part of these warnings, cautions or instructions, contact a healthcare professional for direction in the use of this product. If the bed rails are not properly installed and adjusted, personal injury and damage to the rails and bed could result.**

Please read and understand the following bed rail decal before use:

 WARNING/ SAFETY ALERT	BEWARE OF SIDE-RAIL ENTRAPMENT Patient Entrapment with bed side rails may result in serious injury or death. ALWAYS evaluate patients for and guard against bed rail entrapment in accordance with medical protocols. Monitor patient frequently. Mattress MUST fit bed frame and side rails snugly to prevent entrapment. There may be an increased risk of entrapment when bed rails are used in conjunction with low air loss products. Follow the Safety Warnings and Operating Instructions in the Service/User's manual. Contact your dealer or www.grahamfield.com . <small>GF0800165RevE12</small>
---	--

For information on Bed Rail safety, please see the FDA's brochure concerning Bed Safety and Bed Rails on the FDA website, at:

www.fda.gov/MedicalDevices/ProductsandMedicalProcedures/GeneralHospitalDevicesandSupplies/HospitalBeds/

- ⚠ WARNING: Patient entrapment with bed side rails may result in serious injury or death. Use only with coherent patients capable of avoiding entrapment. Patients at risk of entrapment include those who have problems with memory, sleeping, incontinence, pain, uncontrolled body movement or who get out of bed and walk unsafely without assistance. For at-risk patients, use only with proper bed side rail protective barriers. There is also an increased risk of entrapment when bed rails are used in conjunction with a low air loss product.**
- ⚠ WARNING: Bed side rails are not restraining devices. If restraint is required, use only proper protective restraints. Follow the manufacturer's instructions and applicable regulations. Monitor patient frequently.**
- ⚠ WARNING: The GF6590BH-1 Half No-Gap Head Rails are intended for use only on bed's head end as described in the following instructions. When installed as instructed here, these rails extend to cover the head gap. DO NOT use the rails on bed's foot end as they could interfere with the movement of the head rail when operating the head and foot sections and create a pinch point. If a foot end rail is needed when using the GF6590BH-1 Half No-Gap Head Rail, use the GF6580BH-1 Quarter Rail at foot end to create the split rail system.**
- ⚠ WARNING: DO NOT push or pull the bed by the bed rails.**
- ⚠ WARNING: GF Health Products, Inc. recommends that GF6590BH-1 Half No-Gap Head Rails be used with Lumex beds, and cannot guarantee their optimal performance with other manufacturers' beds.**

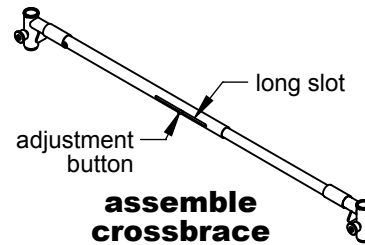
⚠ **WARNING: If components are damaged or missing, contact your Graham-Field distributor immediately. DO NOT use substitute parts. Use only Lumex replacement parts. The use of non-Lumex replacement parts could result in personal injury, damage the rails, and void the warranty.**

⚠ **WARNING: Notice for California Customers- California Proposition 65 WARNING: This product contains a chemical known to the State of California to cause cancer and reproductive or developmental harm.**

⚠ **WARNING: GF Health Products, Inc. assumes no responsibility for any damage or injury caused by improper assembly, installation or use of this product.**

CROSSBRACE ASSEMBLY

Assemble crossbraces: Press the adjustment button, which engages in the long slot, and slide the two crossbrace sections together as shown at right.

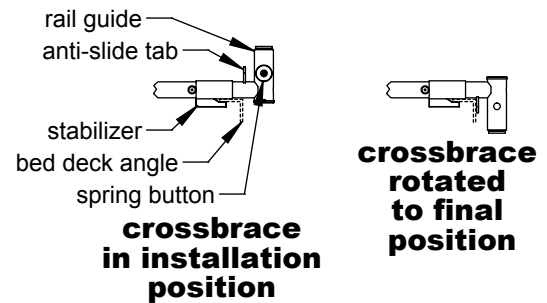


INSTALLATION

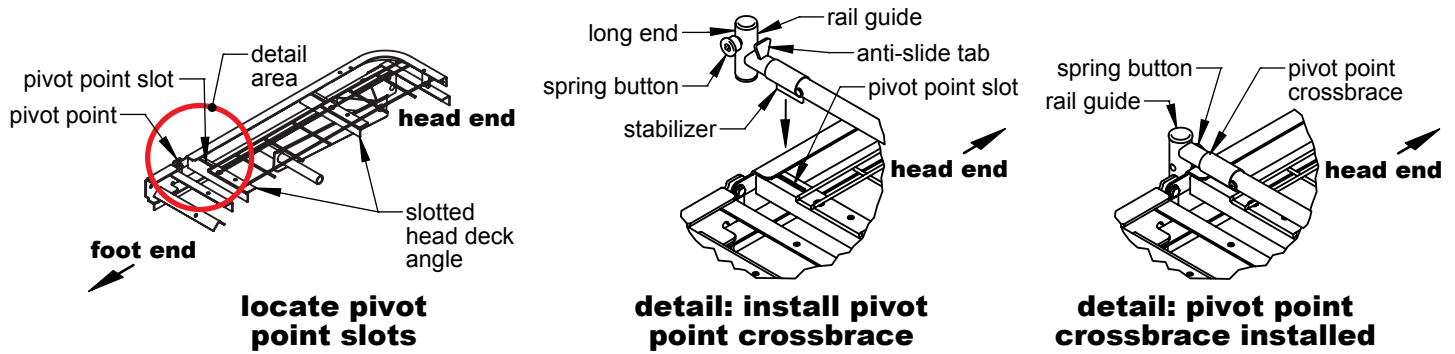
Remove bedding and mattress. Ensure the bed deck is in the flat position.

Crossbrace Position

Please note that crossbrace installation position differs from final position. To facilitate installation, it is necessary to expose the stabilizers that hook the crossbraces to the bed deck angle. The pictures at right will aid you during the following crossbrace installation instructions.

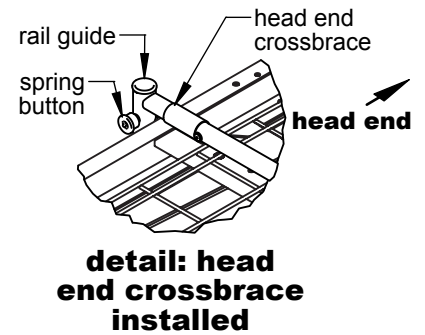
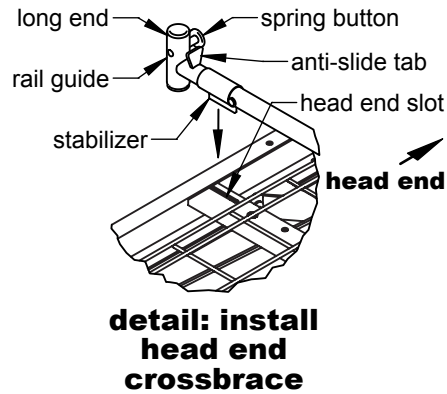
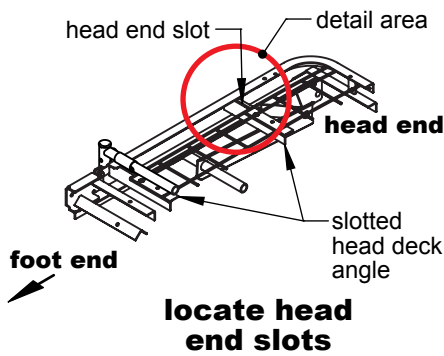


Pivot Point Crossbrace Installation



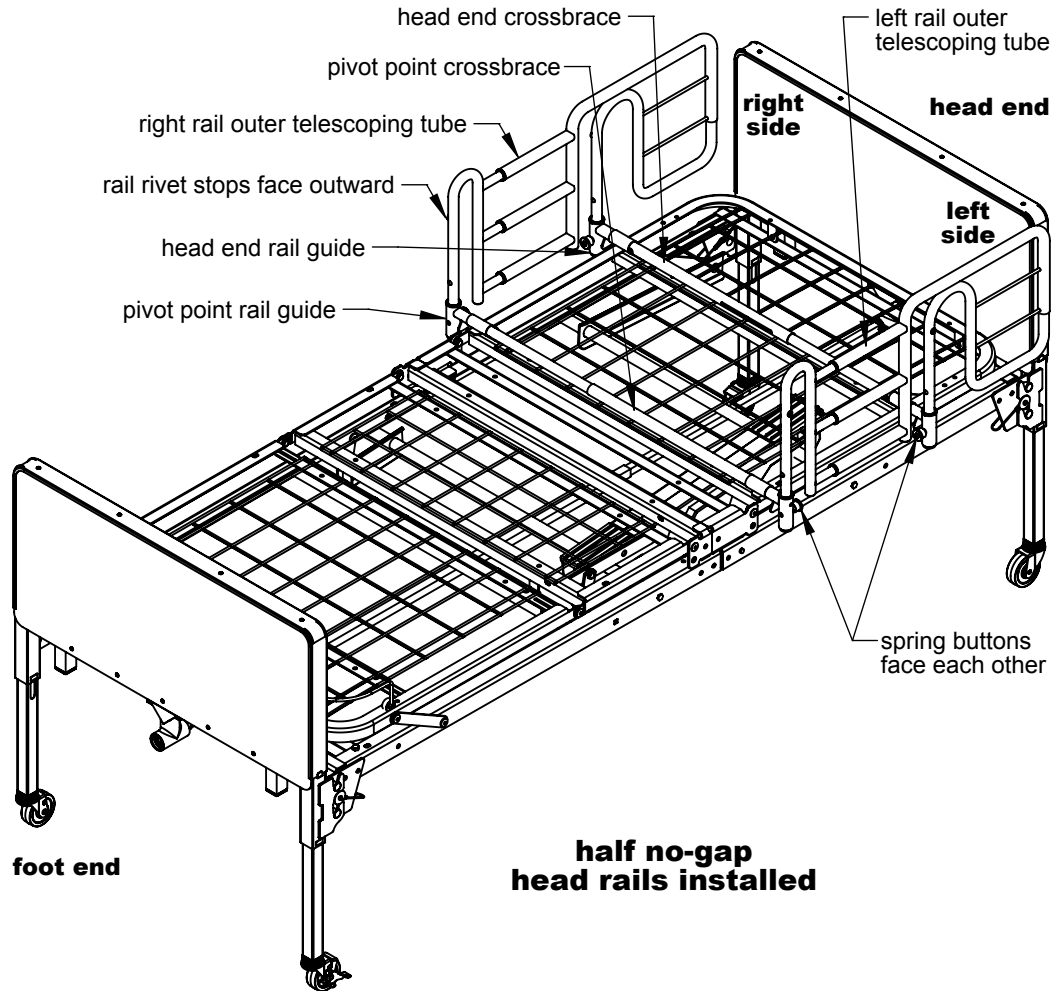
1. Locate the two head deck angle slots on either side of the bed closest to the pivot point, shown in above left picture.
2. Position the pivot point crossbrace so it extends across the bed. Ensure the stabilizers remain at the bottom of the crossbrace and rotate the rail guides so the long ends face upward and the spring buttons face the bed's foot end, as shown in above center picture.
3. Insert one of the crossbrace stabilizers into the slot across the bed from you. Compress the spring-loaded crossbrace until the second stabilizer aligns with the slot closest to you and lower it into the slot. Slowly release crossbrace until it locks into place.
4. Rotate the crossbrace so the long ends of the rail guides face downward and the spring buttons face the bed's head end, as shown in above right picture.

Head End Crossbrace Installation



1. Locate the two head deck angle slots on either side of the bed closest to the bed's head end, shown in above left picture..
2. Position the head end crossbrace so it extends across the bed. Ensure the stabilizers remain at the bottom of the crossbrace and rotate the rail guides so the long ends face upward and the spring buttons face the bed's head end, as shown in above center picture.
3. Insert one of the crossbrace stabilizers into the slot across the bed from you. Compress the spring-loaded crossbrace until the second stabilizer aligns with the slot closest to you and lower it into the slot. Slowly release crossbrace until it locks into place.
4. Rotate the crossbrace so the long ends of the rail guides face downward and the spring buttons face the bed's foot end, as shown in above right picture.

Rail Installation



1. Align the two legs of each rail over the crossbrace rail guides. Ensure the outer telescoping rail tubes are facing the bed's head end and the rail rivet stops are facing outward, as shown above.
2. Gently pull out the spring buttons and lower the rail until both buttons click into position in the first holes on both rail legs, locking down the rail.

⚠ WARNING: Ensure the outer telescoping rail tubes face the head end of the bed as shown above; if positioned otherwise, a pinch point could occur when bed is raised or lowered.

OPERATION

⚠ WARNING: Always ensure the bed rails are securely installed as described before use.

Lowering the Rails

To lower the rails to the MID position, pull out the spring buttons and lower the rail until the buttons lock in the second holes. Release the spring buttons. To lower the rails to the DOWN position, pull out the buttons and lower the rail until it sits on the two rail rivet stops.

Raising the Rails

To raise the rails to the MID position, pull out the spring buttons and raise the rail until the buttons catch in the second holes. To raise the rails to the UP position, pull out the buttons and raise the rail until the buttons catch in the top holes.

⚠ WARNING: Ensure the bed rails lock into place during adjustment, and that both ends of each bed rail are adjusted to the same height.

MAINTENANCE

⚠ WARNING: Inspect the bed rails frequently and adjust as needed to ensure secure installation.

Cleaning

To clean the bed rails, wash them with soap and water or a mild detergent, then rinse with water.

▲ NOTICE: Never use abrasive cleaners or scouring pads on any part of the bed rails.

LIMITED WARRANTY

SCOPE OF WARRANTY

GF Health Products, Inc. ("GF") warrants to the original purchaser only that it will replace or repair components, at GF's sole discretion, that are defective in material or workmanship under normal use and service. All warranties are conditioned upon the proper use of the products strictly in accordance with good commercial practice and applicable GF instructions and manuals, including proper use and maintenance. To the extent that a component is warranted by a third party, GF conveys all of its rights under that warranty to the original purchaser, to the extent permitted.

This limited warranty shall only apply to defects that are reported to GF's customer service team within the applicable warranty period and which, upon examination by GF or its authorized representative, prove to be a warranty item. This limited warranty is not transferable.

The warranted components and time period are set forth below:

Lumex GF6590BH-1 Patriot Liberty Half No-Gap Head Rails: three years

The applicable warranty period shall commence from date of shipment to the original customer, unless there is an expiration date on the component in which case the warranty shall expire on the earlier of warranty period or the expiration date.

OBTAINING WARRANTY SERVICE

A GF Customer Service Representative must authorize warranty service. Please contact the GF Customer Service department by calling 678-291-3207, sending a fax request to 770-368-2386 or by e-mailing a request to cs@grahamfield.com. Specific directions will be provided by the Customer Service Representative. Failure to abide by the specific directions will result in denial of the warranty claim.

EXCLUSIONS

The warranty does not cover and GF shall not be liable for the following:

- 1) Defects, damage, or other conditions caused, in whole or in part, by misuse, abuse, negligence, alteration, accident, freight damage, tampering or failure to seek and obtain repair or replacement in a timely manner;
- 2) Products which are not installed, used, or properly cleaned and maintained as required in the official manual for the applicable product;
- 3) Products considered to be of a non-durable nature including, but not limited to: casters, filters, fuses, gaskets, lubricants, and charts;
- 4) Accessories or parts not provided by GF;
- 5) Charges by anyone for adjustments, repairs, replacement parts, installation or other work performed upon or in connection with such products which are not expressly authorized in writing, in advance, by GF;
- 6) Any labor or shipping charges incurred in the replacement part installation or repair;
- 7) Costs and expenses of regular maintenance and cleaning; and
- 8) Representations and warranties made by any person or entity other than GF.

ENTIRE WARRANTY, EXCLUSIVE REMEDY AND CONSEQUENTIAL DAMAGES DISCLAIMER

THIS WARRANTY IS GF'S ONLY WARRANTY AND IS IN LIEU OF ALL OTHER WARRANTIES, EXPRESS OR IMPLIED. GF MAKES NO IMPLIED WARRANTIES OF ANY KIND INCLUDING ANY IMPLIED WARRANTIES OF MERCHANTABILITY OR FITNESS FOR A PARTICULAR PURPOSE.

IF ANY MODEL OR SAMPLE WAS SHOWN TO THE CUSTOMER, SUCH MODEL OR SAMPLE WAS USED MERELY TO ILLUSTRATE THE GENERAL TYPE AND QUALITY OF THE PRODUCT AND NOT TO REPRESENT THAT THE PRODUCT WOULD NECESSARILY CONFORM TO THE MODEL OR SAMPLE IN ALL RESPECTS.

THIS WARRANTY IS LIMITED TO THE REPAIR OR REPLACEMENT OF THE DEFECTIVE PARTS. GF SHALL NOT BE LIABLE FOR AND HEREBY DISCLAIMS ANY DIRECT, SPECIAL, INDIRECT, INCIDENTAL, EXEMPLARY OR CONSEQUENTIAL DAMAGES, INCLUDING, BUT NOT LIMITED TO: DAMAGES FOR LOSS OF PROFITS OR INCOME, LOSS OF USE, DOWNTIME, COVER, OR EMPLOYEE OR INDEPENDENT CONTRACTOR WAGES, PAYMENTS AND BENEFITS.

The warranties contained herein contain all the representations and warranties with respect to the subject matter of this document, and supersede all prior negotiations, agreements and understandings with respect thereto. The recipient of this document hereby acknowledges and represents that it has not relied on any representation, assertion, guarantee, warranty, collateral contract or other assurance, except those set out in this document.

For additional information on this product or this warranty, please contact a GF Customer Service Representative.

NOTES:

- 1) Additional terms and conditions may apply.
- 2) Freight claims must be notated on the Bill of Lading and must be made with immediacy. The ICC regulations govern specific requirements for freight claims. Failure to abide by those regulations may result in a denial of the freight claim. GF will assist you in filing the freight claim.
- 3) Claims for any short shipment must be made within thirty (30) days of the invoice date.

GF Health Products, Inc.
2935 Northeast Parkway
Atlanta, GA 30360
Tel 770-368-4700
Fax 770-368-2386
www.grahamfield.com



GF Health Products, Inc. is not responsible for typographical errors. All illustrations, specifications, packaging and warranties contained in this literature are based on the latest product information available at the time of printing. The most current product information, including the most current version of these instructions, can be found online at www.grahamfield.com. **Graham-Field** and **Lumex** are registered trademarks, and **Patriot** is a trademark, of GF Health Products, Inc.

© 2009 GF Health Products, Inc. • 2935 Northeast Parkway • Atlanta, GA 30360 • tel 770-368-4700 • fax 770-368-2386 • Made in China