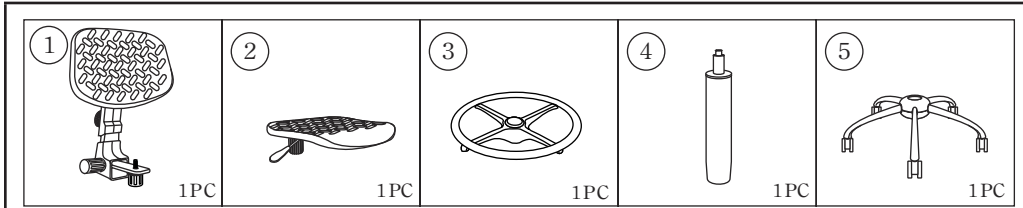


Info: The most current version of these instructions can be found online at www.grahamfield.com.

- ⚠ **WARNING: Important! Read and understand these instructions before assembling or using the Lab Chair. If the Lab Chair is not properly assembled, personal injury and damage to the Lab Chair could result.**
- ⚠ **WARNING: This product has a maximum weight capacity of 300 lb, EVENLY DISTRIBUTED.**
- ⚠ **WARNING: If components are damaged or missing, contact your GF distributor immediately. DO NOT use substitute parts. Use only Grafco replacement parts. Non-Grafco replacement parts could cause personal injury and damage to the Lab Chair.**
- ⚠ **WARNING: GF Health Products, Inc. assumes no responsibility for any damage or injury caused by improper assembly, installation or use of this product.**

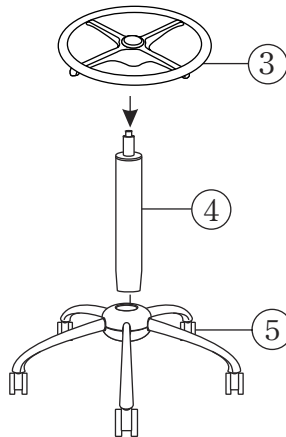
ASSEMBLY

1. Remove components carefully from the carton. See component list below.



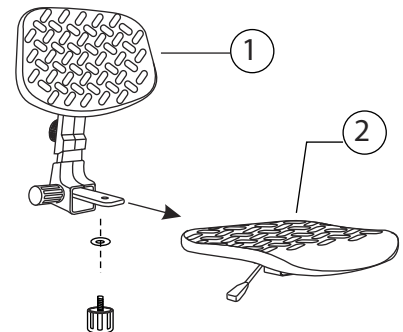
Item	Description
1	Backrest
2	Seat
3	Foot ring
4	Column (gas cylinder)
5	Base with Casters

2. Install column on base.

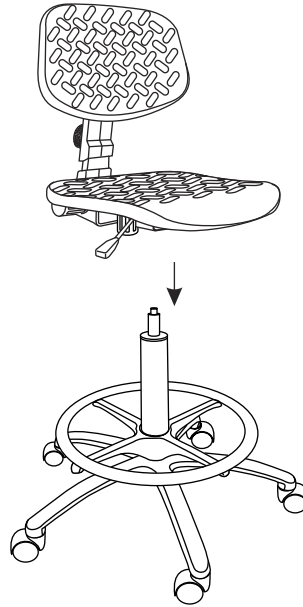


3. Install foot ring on column.

4. Assemble seat and backrest.

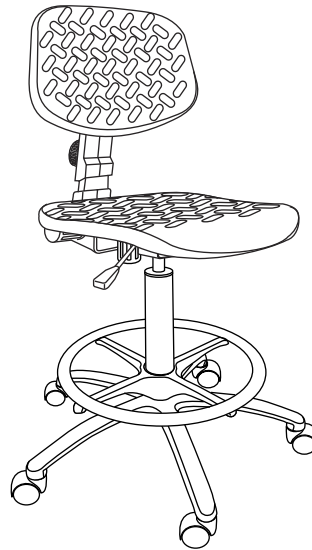


5. Install seat and backrest on column.



CLEANING

To clean, use a clean, soft cloth dampened with a mild soap and water solution, rinse with a clean, soft cloth dampened with clean water.



GRAHAM-FIELD
www.grahamfield.com

GF Health Products, Inc. is not responsible for typographical errors. All illustrations, specifications, packaging and warranties contained in this literature are based on the latest product information available at the time of printing. The most current product information, including the most current version of these instructions, can be found online at www.grahamfield.com. Graham-Field® and Grafco® are registered trademarks of GF Health Products, Inc.

© 2013 GF Health Products, Inc., 2935 Northeast Parkway, Atlanta, GA 30360, tel 770-368-4700, fax 770-368-2386