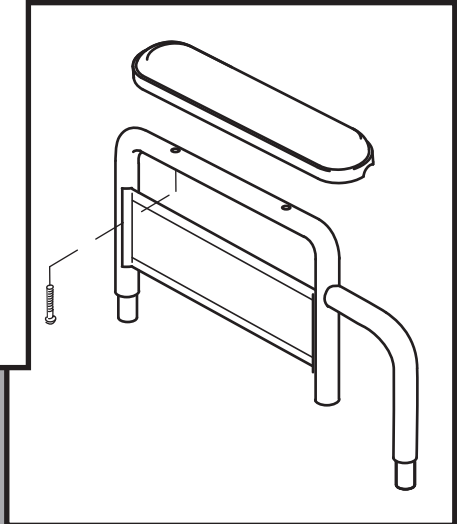
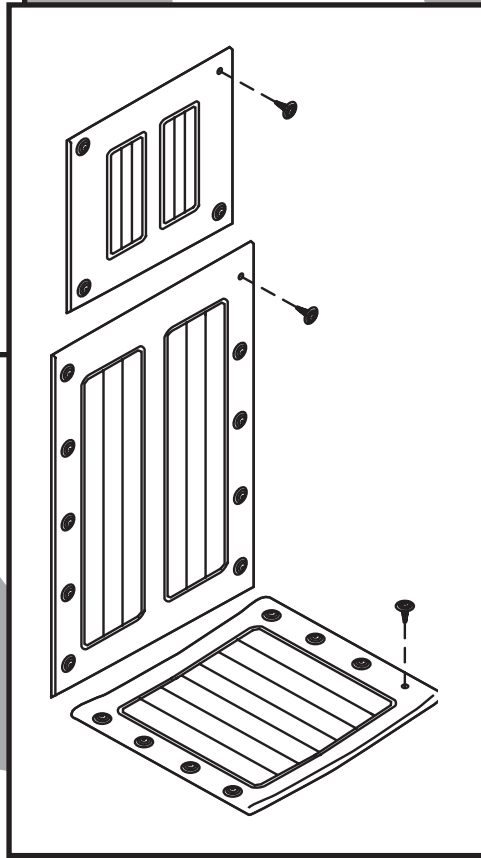
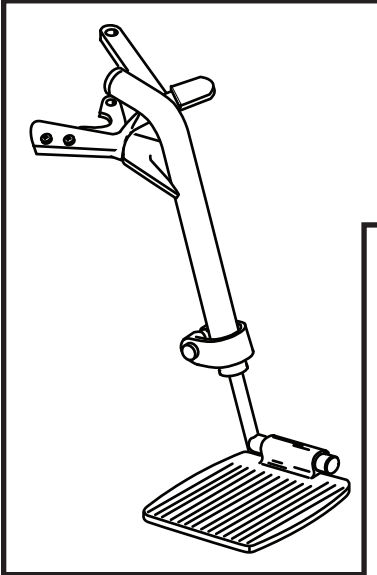


TRAVELER®

PARTS CATALOG (Recliner Model Only)



CONTENTS

FRAME AND CROSSBRACE.....	3
ARM	4
CASTER.....	4
REAR WHEEL.....	5
WHEEL LOCK	5
FOOTREST	6
ELEVATING LEGREST	6
UPHOLSTERY	7
ACCESSORIES.....	7

TO ORDER

Tel: 770-368-4700 • Fax: 770-368-2386

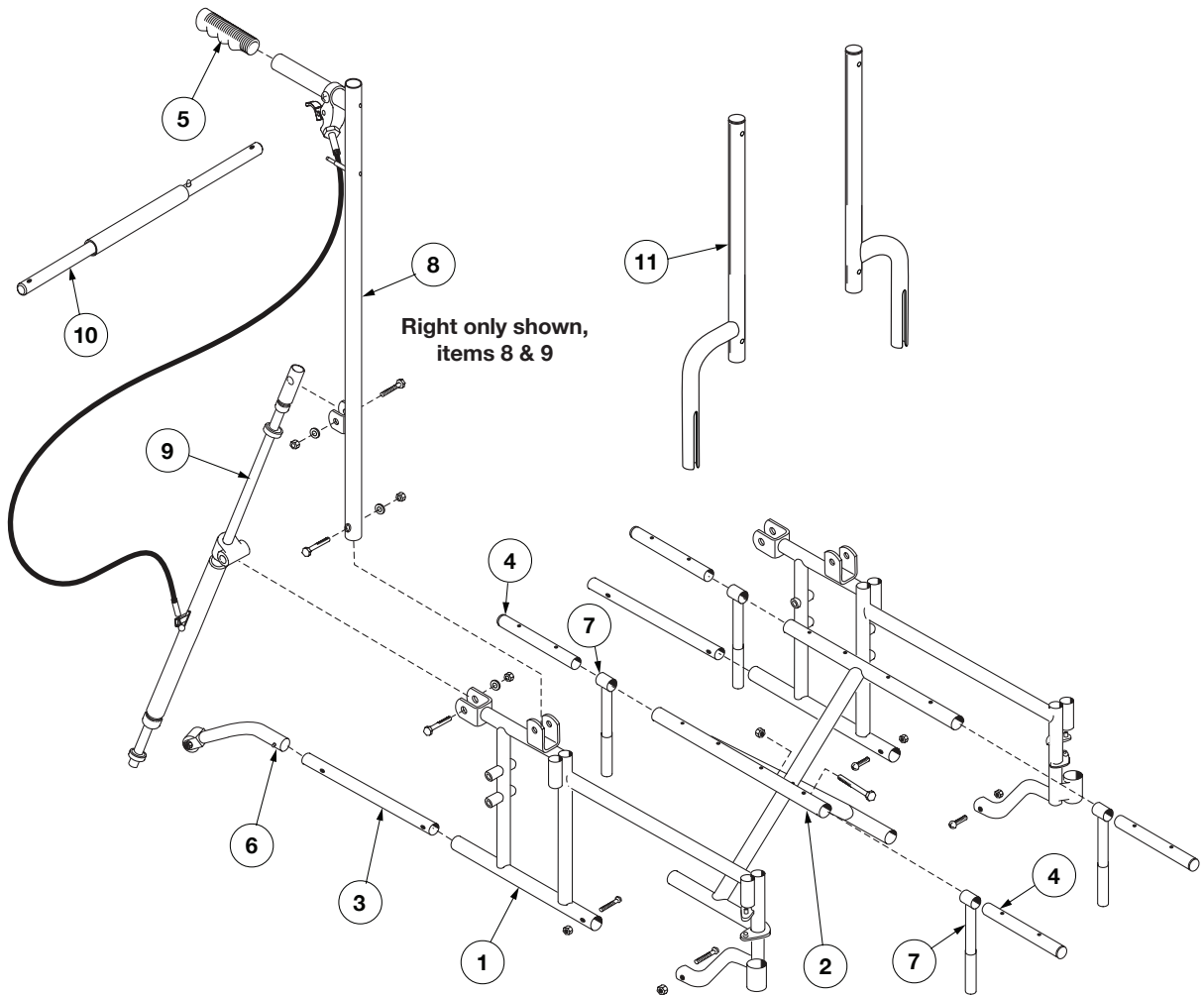
Returns: Parts may not be returned without prior authorization from GF Health Products, Inc. Custom parts cannot be returned for credit. Please refer to GF Health Products, Inc. [Terms and Conditions](#) for further information.

GF Health Products, Inc. is not responsible for typographical errors. All illustrations, specifications, packaging and warranties contained in this catalog are based on the latest product information available at the time of printing. The most current product information, including the most current revision of this catalog, can be found online at www.grahamfield.com.

Everest & Jennings®, E&J®, Traveler®, and Graham-Field® are registered trademarks of GF Health Products, Inc.

© 2012, GF Health Products, Inc., All Rights Reserved

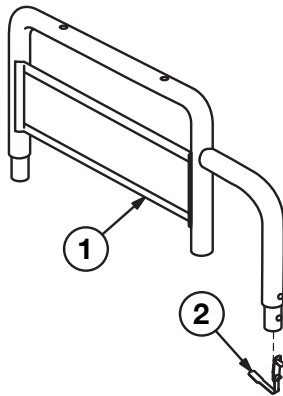
FRAME AND CROSSBRACE



- 1 Sideframe; includes caster stem bearings..... 9P247995
- 2 Crossbrace, pair; includes center bolt and nut
 - 16" W..... 90761800
 - 18" W..... 90761801
 - 20" W..... 90761803
- 3 Bottom inner rail kit; includes bottom inner rail, 2 each; mounting screw and nu, 4 each; and sleeve, 2 each..... 9P2731A1
- 4 Inner seat rail, pair; includes plug (2 pairs required per chair) 9P516325
- 5 Grip, black, 10 each 9BD82845
- 6 Anti-tipper, pair..... 9A000020

- 7 Seat slide kit, pair
 - 16" and 18" W
 - Front..... 9P06A002
 - Rear..... 9P06A003
 - 20" W (2 pairs required per chair)..... 9P064100
- 8 Backpost with shaft and trigger, pair; includes mounting hardware 9P371024
- 9 Mech-lock, pair; includes mounting hardware 9P371201
- 10 Spreader bar
 - 16" W..... 90282838
 - 18" W..... 90482848
 - 20" W..... 90375001
- 11 Headrest post, pair; includes plug..... 9P371251

ARM

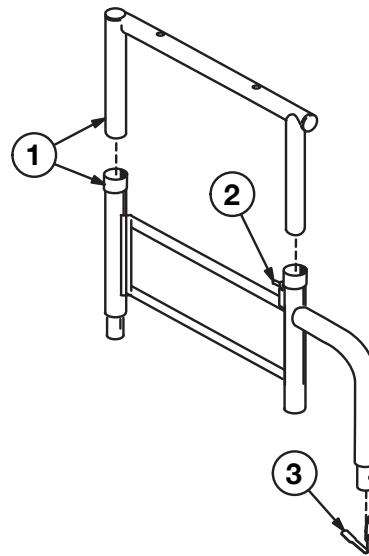


1 Arm, detachable fixed height, pair.
Includes side panel and spring lock;
does not include arm pad

Desk length..... 9P258353
Full length..... 9P232353

2 Spring lock, 10 each 9B232870

Arm pad: See below



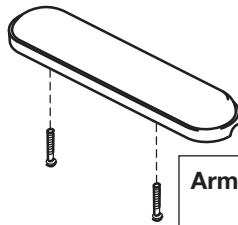
1 Arm, detachable adjustable height, pair.
Includes side panel and spring locks;
does not include arm pad

Desk length..... 920000A5
Full length..... 920000A6

2 Spring lock, upper, 10 each 9BB32890

3 Spring lock, lower, 10 each 9B232870

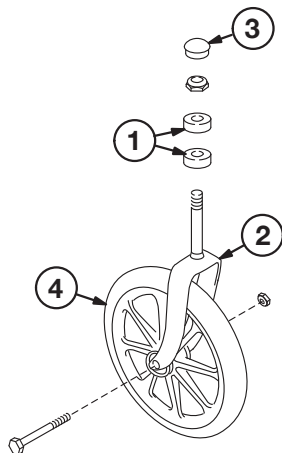
Arm pad: See below



Arm pad, pair; includes mounting screws

Color	Desk length	Full length
Deep blue.....	9P190947	9P190547
Jet black	9P190939	9P190539
Vintage burgundy.....	9P1909P5	9P1905P5

CASTER



Caster, complete, 8" x 1" solid tire;
includes caster with axle bolt,
axle nut and fork..... 90051910

1 Caster stem bearing, 10 each 9B291976

2 Caster fork, steel, with stem nut..... 92050355

3 Dust cap, black, 10 each 9B291975

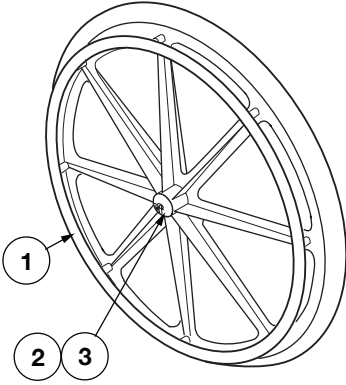
4 Caster wheel, black molded, each

8" x 1" solid 90010015

8" x 1 3/4" pneumatic 90-51625

8" x 1 3/4" semi-pneumatic..... 90-51605

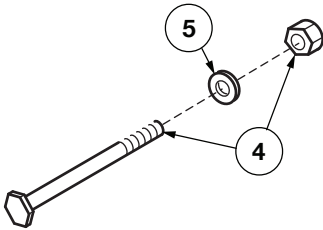
REAR WHEEL



1 Rear wheel: size, tire, handrim options	
24" x 1" black composite wheel, solid rubber tire, integral handrim	90-011B1
24" x 1" black composite wheel, solid rubber tire, chrome handrim	90-01J01
24" x 1 3/8" black composite wheel, pneumatic tire, chrome handrim	9000B008
24" x 1 3/8" black composite wheel, airless tire, chrome handrim.....	9000B016

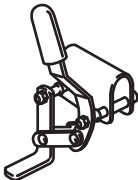
Replacement parts included in item 1:	
2 Hubcap, black, 10 each	
1" tire	9B045035
1 3/8" tire.....	9B031366
3 Bearing, 10 each	
1" tire	9B007700
1 3/8" tire	
Current wheel *	9B007710
Previous wheel **	9B850045

* without I.D. adapter bushing
 ** with I.D. adapter bushing



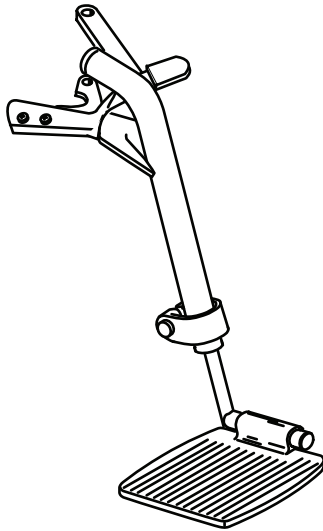
Replacement parts not included in item 1:	
4 Axle and nut, 10 each	
1" tire	9B-07845
1 3/8" tire.....	9B-07770
5 Spacer, 10 each	
Integral handrim (3/16").....	9B007360
1 3/8" tire (1/4")	9B007280

WHEEL LOCK



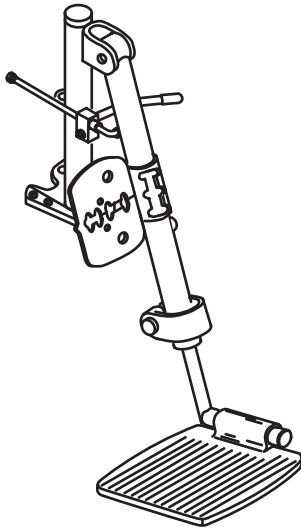
Wheel lock, pair, includes rubber tip	
Push to lock	9P761061
Pull to lock	9P761065
Rubber tip, wheel lock, 10 each.....	9BD82746
Wheel lock extension, 10 1/2", pair.....	9A000026

FOOTREST



Footrest, detachable and swingaway, pair (left shown). Includes right and left hanger with release and #1 aluminum footplate with extension. ... 90761750

ELEVATING LEGREST



Elevating legrest, complete, pair. Detachable and swingaway. Includes right and left hanger with release, deep blue legrest panel, and #1 aluminum footplate with extension.

Low-pivot (shown) 90761751
 High-pivot 90761755

1 Elevating legrest, pair. Detachable and swingaway. Includes right and left hanger with release and #1 aluminum footplate with extension. Does not include legrest panel.

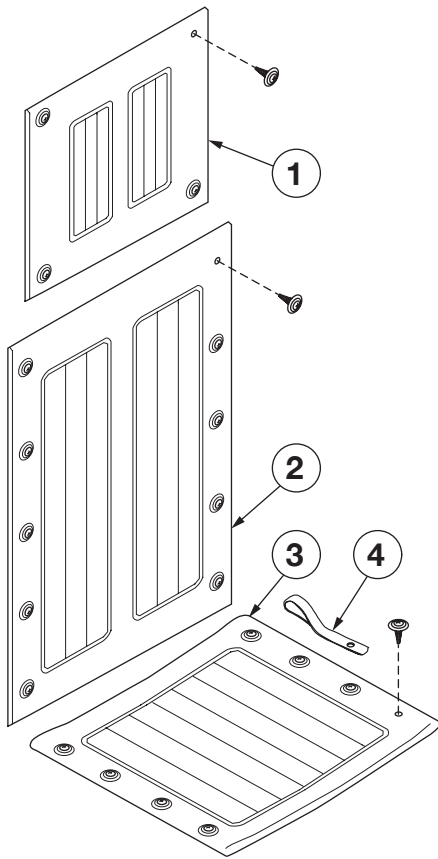
Low-pivot 90761758
 High-pivot 90761759

2 Legrest panel, pair; includes mounting hardware

Deep blue 9P467247
 Jet black 9P467239
 Vintage burgundy 9P4672P5

3 #1 footplate with extension, pair 9P426J03

UPHOLSTERY



1 Headrest; includes mounting hardware

	16"W	18"W	20"W
Deep blue	99C0-047	99C0-147	99C0-247
Jet black	99C0-039	99C0-139	99C0-239
Vintage burgundy	99C0-0P5	99C0-1P5	99C0-2P5

2 Back upholstery; includes mounting hardware

	16"W	18"W	20"W
Deep blue	99-6-247	99-8-047	99-8-247
Jet black	99-6-239	99-8-039	99-8-239
Vintage burgundy	99-6-2P5	99-8-0P5	99-8-2P5

3 Seat upholstery; includes mounting hardware

	16"W	18"W	20"W
Deep blue	99-5-247	99-7-047	99-7-247
Jet black	99-5-239	99-7-039	99-7-239
Vintage burgundy	99-5-2P5	99-7-0P5	99-7-2P5

4 Carrying strap, pair; includes mounting hardware (not included with seat upholstery)

Deep blue	9P000148
Jet black	9P000139
Vintage burgundy.....	9P0001P5

ACCESSORIES

Accessories (not shown)

1 Positioning strap

Auto style push button buckle.... 92133040

Hook and loop style..... 90133115

2 Legrest anti-removal cap, 10 each..9B431140

3 Heel loop, pair

9A000002

4 Anti-fold bar.....

92523850

Everest & Jennings[®]
A Graham-Field Brand

GF Health Products, Inc. ("Graham-Field")
2935 Northeast Parkway
Atlanta, Georgia 30360 USA

tel: 770-368-4700

fax: 770-368-2386



GRAHAM-FIELD

www.grahamfield.com

Traveler Recliner Parts Catalog
GF0700121RevC12