

Note: The most current version of these instructions can be found online at www.grahamfield.com

You will need: Screwdriver, drill, bit and mounting hardware as described in **Installation type** table below.

Optional: Level, electronic stud locator.

⚠ WARNING: Important! Read and understand these instructions before installing or using grab bars. If you do not understand any part of these warnings, cautions or instructions, contact a healthcare professional for direction in the use of this product. If you are unable to perform this installation as described, please contact a licensed professional for installation. If the grab bar is not properly installed, personal injury and property damage could result.

⚠ WARNING: If components are damaged or missing, contact your dealer immediately. DO NOT use substitute parts.

⚠ WARNING: This product has a maximum weight capacity of 250 lb.

⚠ WARNING: GF Health Products, Inc. assumes no responsibility for any damage or injury caused by improper assembly, installation or use of this product.

INSTALLATION

Installation location

⚠ WARNING: Ensure that there is no electrical wiring or plumbing at the chosen installation location.

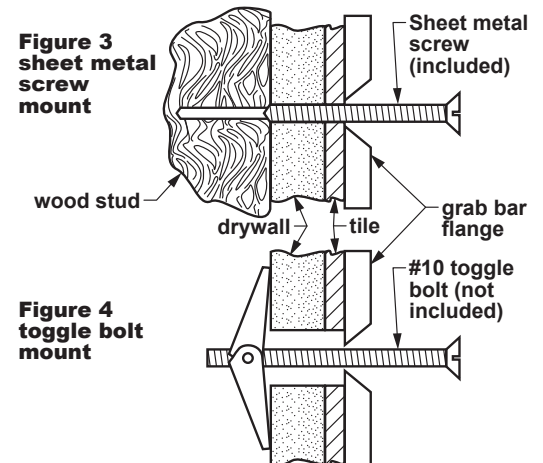
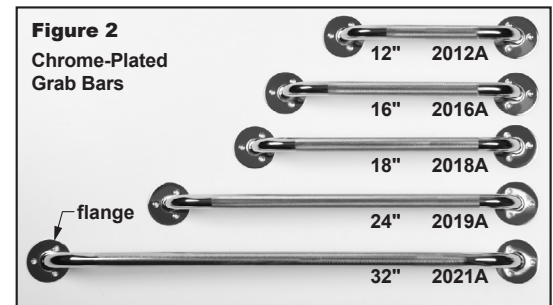
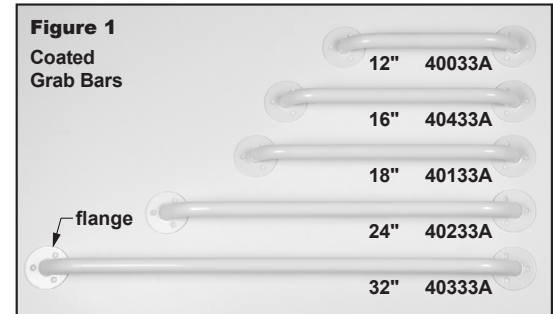
⚠ WARNING: At least two screws in each flange MUST be mounted securely in a wood stud. If your installation site features standard 16"-centered wood studs, mount 12" grab bars vertically, and 24" grab bars vertically or at an angle, to ensure both ends are securely mounted in wood studs. Wood studs are located on 16" centers in most residential construction, but your installation may differ.

1. Choose a mounting location most convenient for user. Place grab bar on wall, **aligned with stud locations**, and mark 3 mounting hole locations for each flange. **Note: If mounting grab bar horizontally or vertically, you may wish to use a level.**

2. Determine which holes will be used for sheet metal screws and which for toggle bolts, if any.

Installation type

Installation type & wall surface	Drill bit needed	Mounting hardware required
Wood stud, tile wall	1/8" bit, 1/4" masonry bit	Sheet metal screw (provided)
Wood stud, untiled wall	1/8" bit	Sheet metal screw (provided)
Drywall (no wood stud), tiled or untiled wall	1/2" masonry bit	Toggle bolt: #10 or 3/16" flat head x at least 2 1/2" long.



Drill

1. Choose the appropriate mounting method from a, b, or c.
 - a. **Sheet metal screw mount (into wood stud) on tile wall:** See figure 3. Drill 1/4" diameter hole *only* through tile with masonry bit, then drill 1/8" diameter approximately 1 3/4" deep through drywall and into wood stud.
 - b. **Sheet metal screw mount (into wood stud) on untiled wall:** See figure 3. Drill 1/8" diameter approximately 1 3/4" deep through outer wall, drywall, and into wood stud.
 - c. **Toggle bolt mount (no wood stud) on tile or untiled wall:** See figure 4. Drill 1/2" diameter through outer wall or tile and drywall with masonry bit.
2. After all holes are drilled, wipe wall with damp cloth to remove plaster powder.
3. Seal any unused holes in wall: Use finger to apply, press in, and smooth tub and tile caulking.

Mount

1. To seal, use finger to apply tub and tile caulking around installation edge of flange and outer edges of bolt or screw heads before installation.
2. Attach grab bar to wall using appropriate mounting hardware as indicated in Figures 3 and 4. Install first one flange, then the other. Do not tighten completely until both flanges are installed. If installing toggle bolts, install them before sheet metal screws.
 - a. **Toggle bolt mount:** Insert toggle bolt through grab bar flange, then install toggle onto bolt and install bolt as specified in toggle bolt instructions.
 - b. **Sheet metal screw mount:** Insert supplied sheet metal screw through grab bar flange into wall.
3. Use screwdriver to tighten all screws securely but do not overtighten, as this may damage tile or wall.

⚠ WARNING: Ensure that the grab bar is installed as described before use. If the grab bar is not properly installed, personal injury and property damage could result.

OPERATION

⚠ WARNING: Users who have limited physical capabilities must be assisted or supervised when using the grab bar.

MAINTENANCE

⚠ WARNING: Inspect grab bar weekly and tighten as needed to ensure secure installation. DO NOT use grab bar if looseness is detected.

To clean grab bar, wash it with soap and water or a mild detergent, then rinse it with water. Ensure that grab bar is rinsed well before use.

▲ Caution: Never use abrasive cleaners or scouring pads on any part of the grab bar.

WARRANTY

GF Health Products, Inc. offers a lifetime limited warranty against manufacturer's defects on the Lumex® VersaGuard® Coated and Chrome-Plated Grab Bars. If a product is deemed to be under warranty, GF Health Products, Inc. shall provide, at its option, (1) replacement of any defective part or product or (2) a credit of the original selling price made to GF Health Products, Inc.'s initial customer. The warranty does not include any labor charges incurred in replacement part(s) installation or any associated freight or shipping charges to GF Health Products, Inc.



GRAHAM-FIELD.

GF Health Products, Inc. is not responsible for typographical errors. Packaging, warranties, products and specifications are subject to change without notice. Graham-Field and Lumex are registered trademarks of GF Health Products, Inc.

© March 2009 GF Health Products, Inc. • 2935 Northeast Parkway • Atlanta, GA 30360 • tel 800-347-5678 • fax 800-721-0601 • www.grahamfield.com