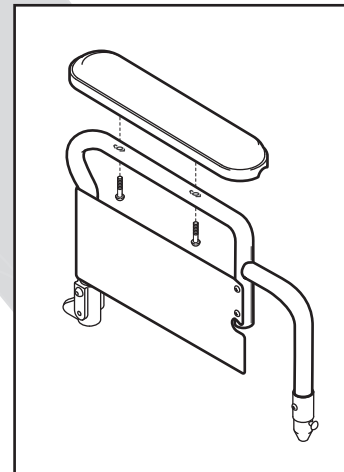
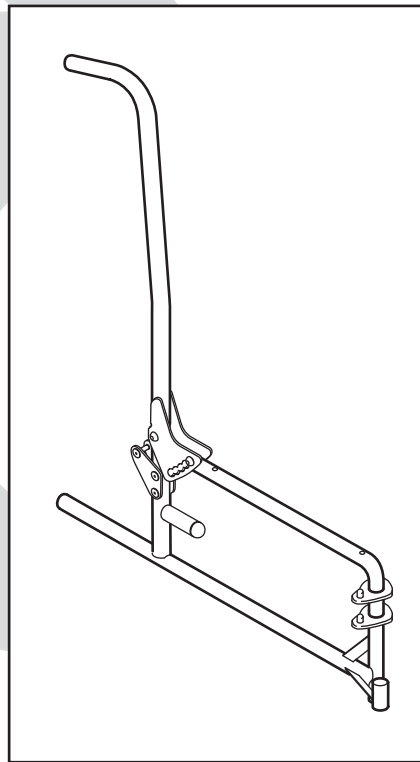
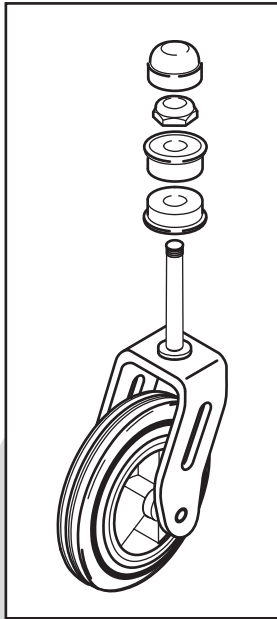


# METRO<sup>®</sup> POWER III POWER WHEELCHAIR

## PARTS CATALOG



Everest & Jennings<sup>®</sup>

A Graham-Field Brand

# CONTENTS

---

FRAME, CROSSBRACE, MOTOR, AND BATTERY TRAY .....	3
REAR WHEEL, ANTI-TIPPER, AND WHEEL LOCK .....	4
CASTER .....	4
FRONT RIGGING.....	5
UPHOLSTERY .....	6
ARM, FLIP-BACK.....	6
INTEGRAL CONTROLLER AND PROGRAMMER.....	7
BATTERY CHARGER .....	7
BATTERY BOXES (BATTERIES NOT INCLUDED).....	7

## TO ORDER

Tel: 800-347-5678 • Fax: 800-726-0601

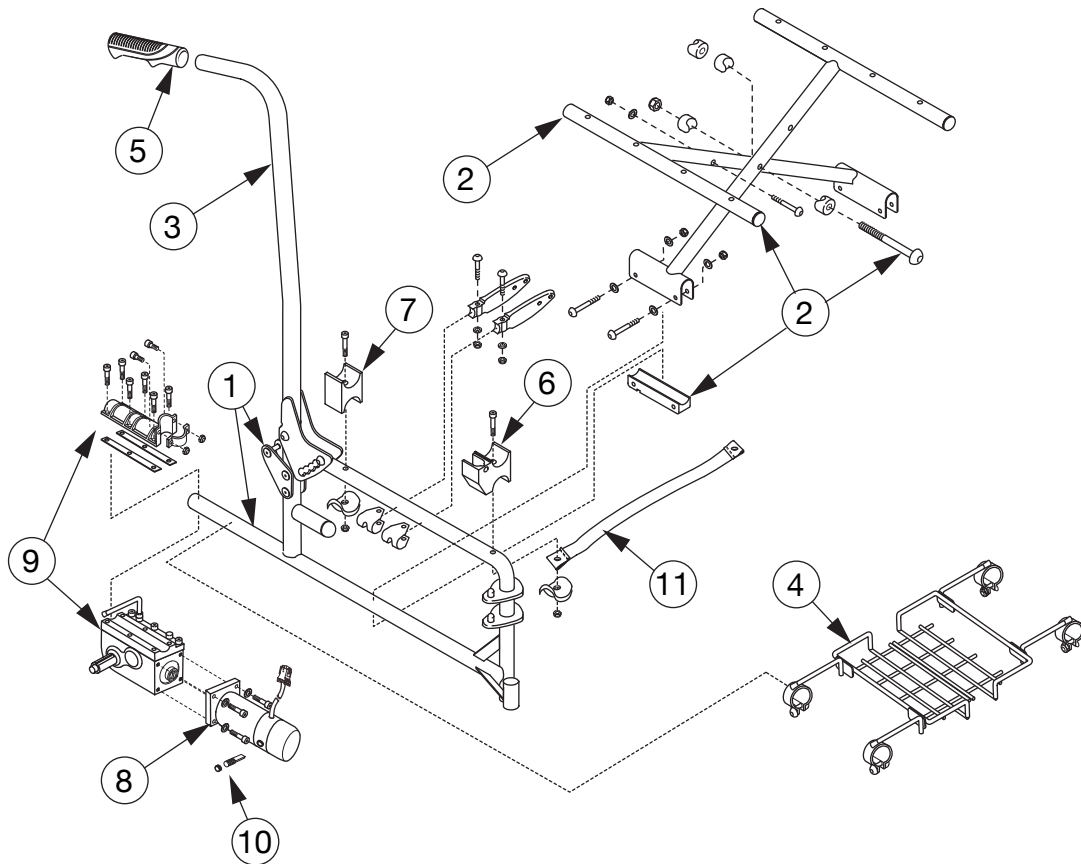
Returns: Parts may not be returned without prior authorization from GF Health Products, Inc. Custom parts cannot be returned for credit. Please refer to GF Health Products, Inc. [Terms and Conditions](#) for further information.

All illustrations and specifications contained in this catalog are based on the latest product information available at the time of printing. GF Health Products, Inc. is not responsible for typographical errors. Packaging, warranties, products and specifications are subject to change without notice. When ordering parts from this catalog, we suggest that you contact our Customer Service Department to ensure that you have the latest revision level of this catalog, which is printed below each page number. GF Health Products, Inc. reserves the right to make changes at any time without notice.

Everest & Jennings, Metro, GF and Graham-Field are registered trademarks of GF Health Products, Inc.

© 2008, GF Health Products, Inc., All Rights Reserved

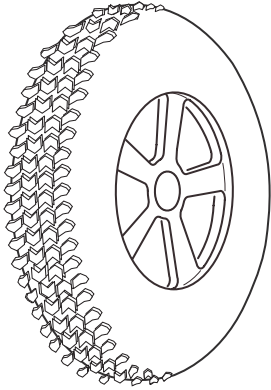
# FRAME, CROSSBRACE, MOTOR, AND BATTERY TRAY



<b>1 Sideframe, complete, all widths</b>		
<b>Black</b>	<b>Right</b> .....	90762311
	<b>Left</b> .....	90762312
<b>Blue</b>	<b>Right</b> .....	907626A1
	<b>Left</b> .....	907626A2
<b>Red</b>	<b>Right</b> .....	907626A3
	<b>Left</b> .....	907626A4
<b>2 Crossbrace, complete, pair; includes left and right crossbrace, links, clamps, and mounting hardware</b>		
	18" W x 16" D .....	90762314
	20" W x 16" D .....	90762601
<b>3 Backpost / push handle, each</b> .....		
		90762315
<b>4 Battery box bracket, set</b>		
	18" W.....	90762349
	20" W.....	90762625
<b>5 Grip, two each</b> .....		
		90762316

<b>6 Seat rail cradle / arm socket kit, front; includes cradle and mounting hardware, two each</b> .....		90762317
<b>7 Seat rail cradle kit, rear; includes cradle and mounting hardware, two each</b> .....		
		90762318
<b>8 Motor and mounting bolts</b>		
	<b>Right</b> .....	90762345
	<b>Left</b> .....	90762346
<b>9 Gearbox and mounting hardware, mounting plate, mounting bracket, and shaft coupler</b>		
	<b>Right</b> .....	90762343
	<b>Left</b> .....	90762344
<b>10 Replacement motor brush / brush cap kit; includes two each motor brush and brush cap (one kit replaces brushes and caps in one motor)</b> .....		
		90762347
<b>11 Strap, seat rail, each</b>		
	18" W.....	90762371
	20" W.....	90762620

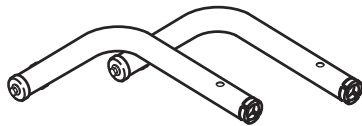
# REAR WHEEL, ANTI-TIPPER, AND WHEEL LOCK



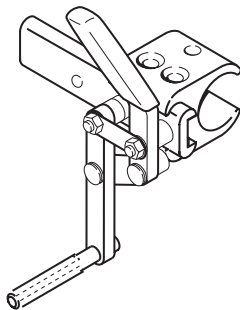
Rear wheel, complete, each; includes 12 1/2" x 2 1/4" black tire with airless insert, rim, spacers, washer, nut, key, and hub cap..... 90762354

Rear wheel rim kit; includes rim, spacers, washer, and key ..... 90762351

Tire and airless insert kit; includes tire and insert..... 90762631



Anti-tipper, complete, pair..... 90762360



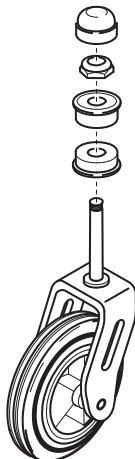
Wheel lock, complete, each; includes tip

Right..... 90762361

Left ..... 90762362

Tip, black rubber; ten each..... 90762363

# CASTER



Caster wheel, each; includes 8" x 2" black urethane tire, rim and axle, one each..... 90762353

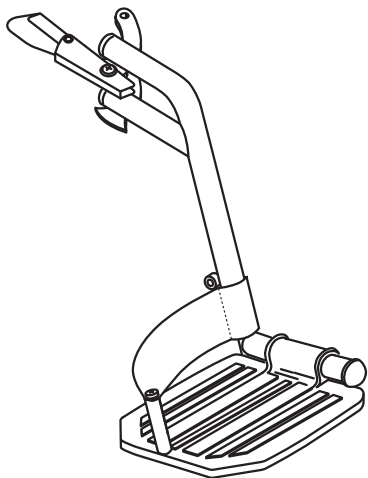
Caster fork and stem kit; includes caster fork, stem nut and dust cap, one each..... 90762630

Caster axle kit; includes caster axle, two each..... 90762357

Caster stem bearing, ten each..... 90762358

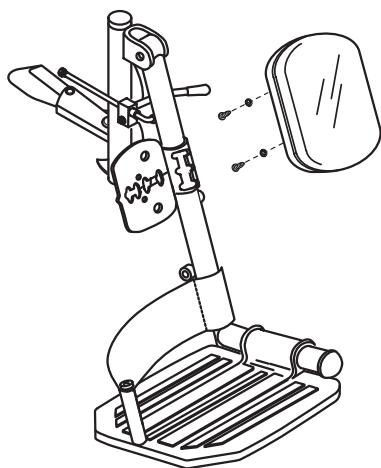
Caster dust cap, ten each ..... 90762359

# FRONT RIGGING



Footrest kit, pair (left shown); includes right and left hanger, release, and footplate extension with heel loop

Black ..... 90762320  
 Blue ..... 907626B1  
 Red ..... 907626B2

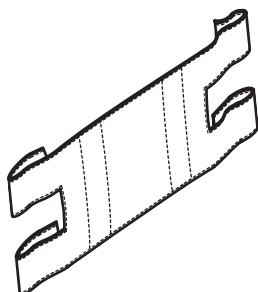


Elevating legrest kit, each (left shown); includes hanger, release, and footplate extension with heel loop; does not include legrest panel

Black      Right..... 90762321  
             Left ..... 90762322  
 Blue      Right..... 907626C1  
             Left ..... 907626C2  
 Red      Right..... 907626C3  
             Left ..... 907626C2

Elevating legrest panel kit; includes two black padded panels and hardware

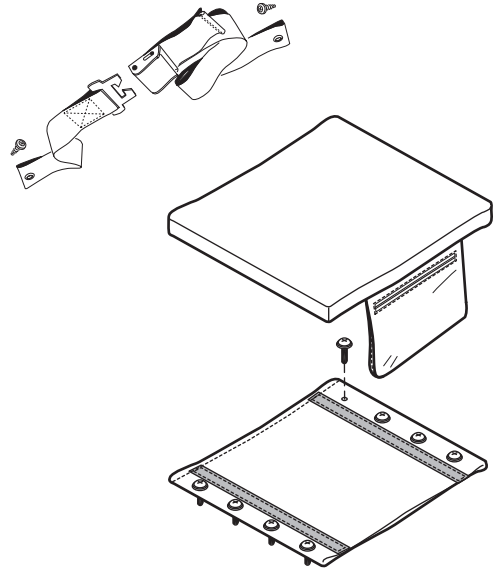
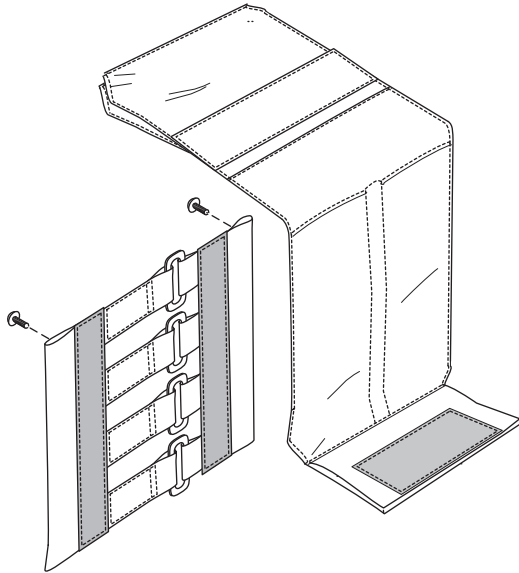
..... 90762323



Leg strap, each

18" ..... 90762324  
 20" ..... 90762635

# UPHOLSTERY



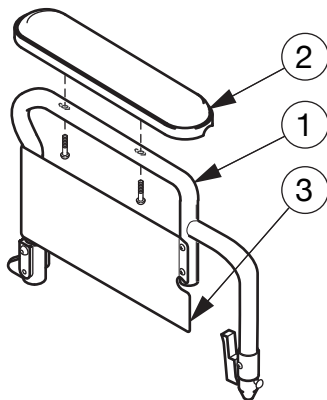
**Back upholstery kit; includes inner and outer back upholstery and mounting hardware**

18" W..... 90762367  
20" W..... 90762610

**Seat upholstery kit; includes seat upholstery, cushion, positioning belt, and mounting hardware**

18" W and 16" D..... 90762369  
20" W and 16" D..... 90762605

# ARM, FLIP-BACK



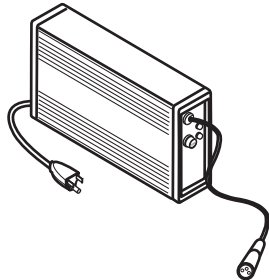
- 1 **Arm: flip-back, fixed-height, desk-length; includes arm, pivot with mounting hardware, and side panel; does not include arm pad**  
Right..... 90762325  
Left ..... 90762326
- 2 **Arm pad, pair; includes two black arm pads and mounting screws ..... 90762327**
- 3 **Side panel kit, pair..... 90762328**

# INTEGRAL CONTROLLER AND PROGRAMMER



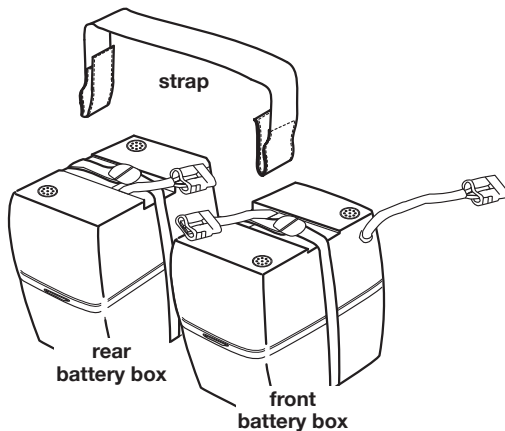
- |   |   |          |
|---|---|----------|
| 1 | Integral controller, complete;<br>by PG Drives Technology.....      | 90762330 |
| 2 | Integral controller mounting<br>hardware kit.....                   | 90762332 |
| 3 | Programmer for integral controller;<br>by PG Drives Technology..... | 90762334 |

# BATTERY CHARGER



- |  |          |
|--|----------|
| Battery charger, 24-volt 3-pin 4-amp<br>auto-switch..... | 90762335 |
|--|----------|

# BATTERY BOXES (BATTERIES NOT INCLUDED)



- |   |          |
|---|----------|
| Battery box, front, complete, each .....                                | 90762340 |
| Battery box, rear, complete, each.....                                  | 90762341 |
| Battery box strap, each (secures battery<br>boxes to battery tray)..... | 90762342 |

**Everest & Jennings®**

**A Graham-Field Brand**

**U.S.A., Corporate Headquarters:**

**GF Health Products, Inc.  
2935 Northeast Parkway  
Atlanta, Georgia 30360  
telephone: 800-347-5678  
fax: 800-726-0601**



**[www.grahamfield.com](http://www.grahamfield.com)**

**Metro® Power III Parts Catalog  
GF0600062RevF08, June 2008**