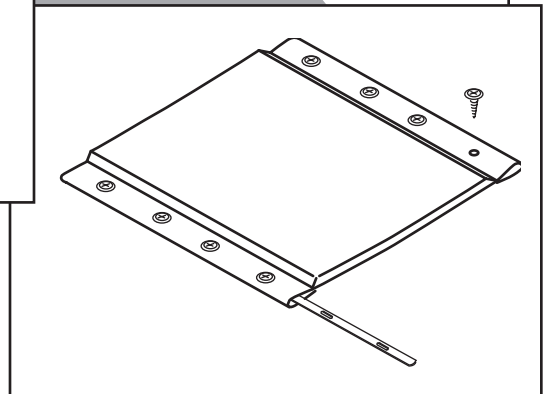
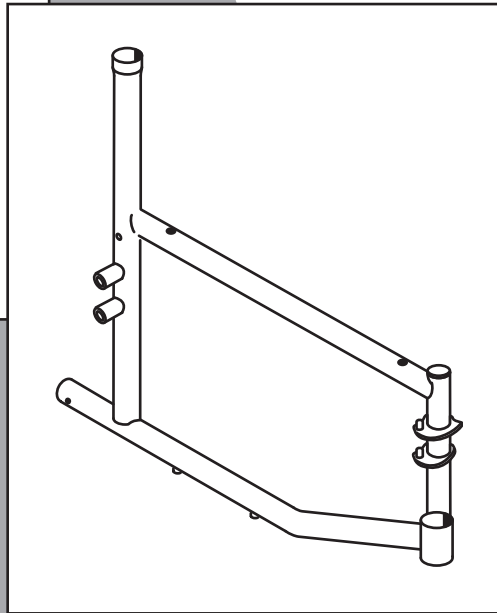
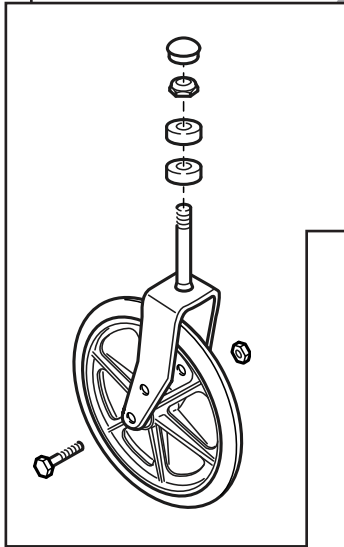


METRO[®] IC4

PARTS CATALOG



Everest & Jennings[®]

A Graham-Field Brand

CONTENTS

SIDEFAME AND CROSSBRACE	3
ARM	4
CASTER.....	4
FOOTREST	5
ELEVATING LEGREST	5
REAR WHEEL.....	6
WHEEL LOCK	6
SEAT AND BACK UPHOLSTERY	7
ACCESSORIES.....	7

TO ORDER

Tel: 800-347-5678 • Fax: 800-726-0601

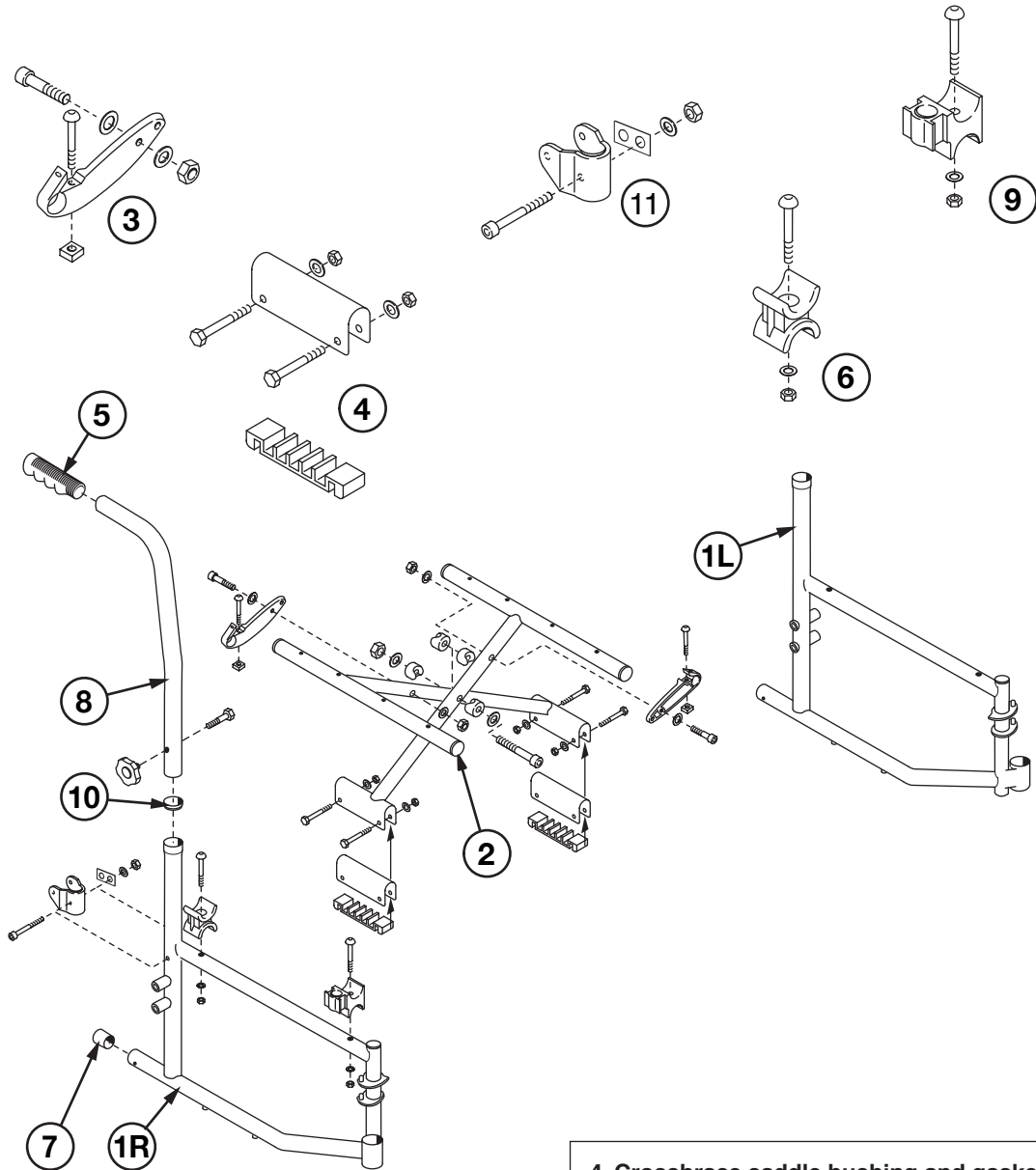
Returns: Parts may not be returned without prior authorization from GF Health Products, Inc. Custom parts cannot be returned for credit. Please refer to GF Health Products, Inc. [Terms and Conditions](#) for further information.

All illustrations and specifications contained in this catalog are based on the latest product information available at the time of the printing. GF Health Products, Inc. is not responsible for typographical errors. Packaging, warranties, products and specifications are subject to change without notice. When ordering parts from this catalog, we suggest that you check with our Customer Service Department to ensure that you have the latest revision level of this catalog, which is printed below each page number. GF Health Products, Inc. reserves the right to make changes at any time without notice.

© 2008, GF Health Products, Inc., All Rights Reserved

Everest & Jennings, E&J, GF, Graham-Field, and Metro are registered trademarks of GF Health Products, Inc.

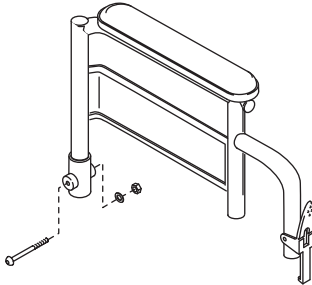
SIDEFRADE AND CROSSBRACE



1 Sideframe (16", 18" and 20" W)	
Right	90762501
Left.....	90762502
2 Crossbrace, pair (includes center bolt and nut)	
16" W x 16" D	90762505
18" W x 16" D	90762506
20" W x 16" D	90762507
3 Crossbrace link, pair, and mounting hardware	
16" W	90762508
18" W	90762509
20" W	90762510

4 Crossbrace saddle bushing and gasket, pair, and mounting hardware	90762511
5 Grip (10 each)	90762512
6 Seat rail cradle, screw, washer and nut (2 each)	90762513
7 Tipping sleeve (10 each).....	90762514
8 Backpost, knob, and screw (2 each) .	90762515
9 Seat rail and arm cradle, screw, and washer (2 each)	90762516
10 Mounting ring (10 each).....	90762517
11 Arm bracket, screw, washer, nut, and tiedown clip (2 each)	90762518

ARM



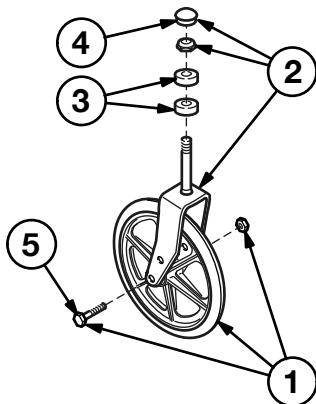
Arm, flip-back fixed-height, pair
 (includes left and right arm with side
 panel; does not include arm pad)

Desk length..... 90762520
 Full length..... 90762521

**Arm pad, pair (includes 2 black arm
 pads and 4 mounting screws)**

Desk length..... 90762523
 Full length..... 90762524

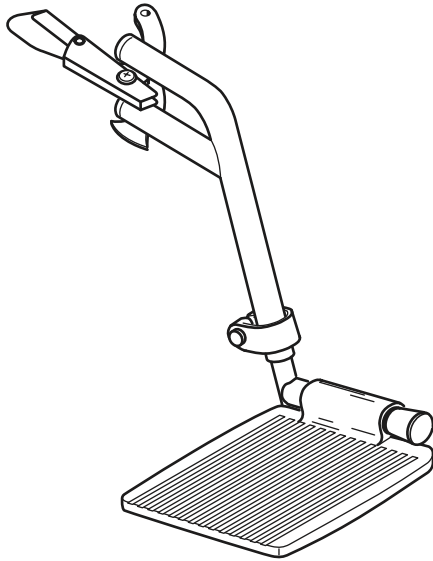
CASTER



**Caster, complete (fork and wheel); includes
 black steel fork and black plastic wheel
 with 8" x 1" rubber tire** 90762535

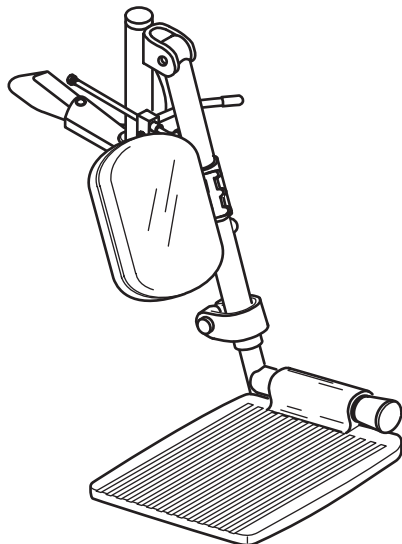
- 1 Caster wheel, axle and nut 90762536
- 2 Caster fork, stem nut and dust cap ... 90762537
- 3 Caster stem bearing (10 each) 90762538
- 4 Caster dust cap (10 each)..... 90762539
- 5 Caster axle and nut (10 each)..... 90762540

FOOTREST



Footrest, swingaway and detachable, pair (left shown); includes right and left hanger, release, and composite footplate with extension 90762530

ELEVATING LEGREST

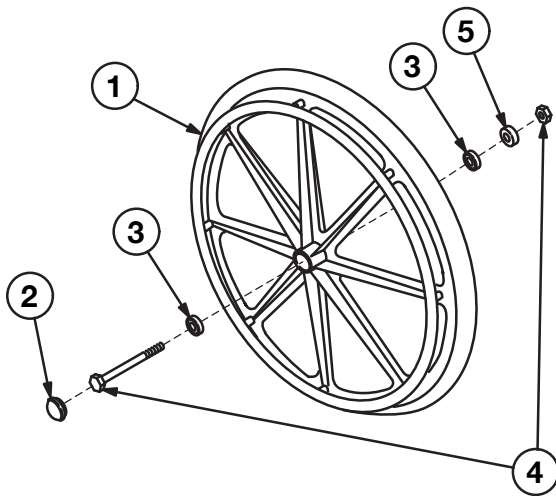


Elevating legrest, swingaway and detachable, pair (left shown); includes right and left hanger, release, panel, and composite footplate with extension 90762531

Panel, elevating legrest; includes 2 black leatherette padded panels and hardware 90762532

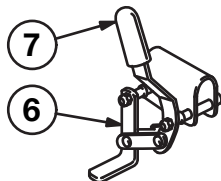
Elevating legrest footplate with extension only, pair 90762533

REAR WHEEL



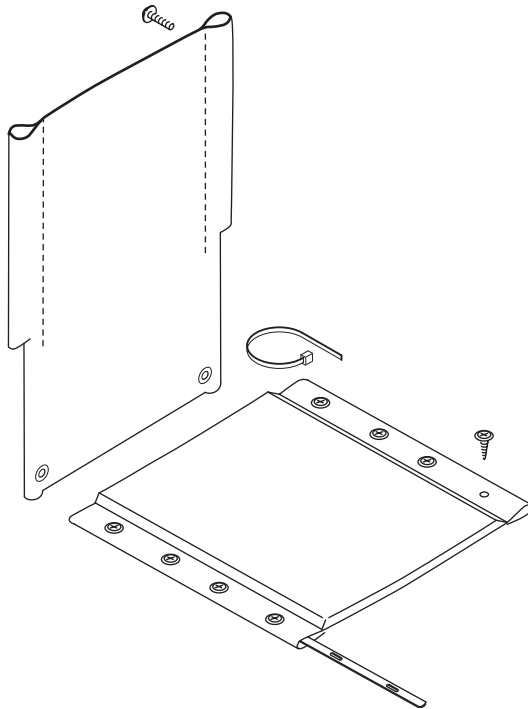
- 1 Rear wheel, 24" black composite, with 1" black solid rubber tire and black plastic handrim (includes hub cap, wheel bearing and spacer; does not include axle or nut) 907625412
- 2 Hub cap (10 each)..... 907625423
- 3 Wheel bearing (10 each) 907625434
- 4 Rear axle and nut (10 each)..... 907625445
- 5 Spacer (10 each)..... 90762545

WHEEL LOCK



- 6 Wheel lock, push-to-lock, pair (includes rubber tips)..... 907625467
- 7 Rubber tip, wheel lock (10 each)..... 90762547

SEAT AND BACK UPHOLSTERY



Back upholstery (black nylon) and mounting hardware (includes replacement ties)

16" W.....	90762550
18" W.....	90762551
20" W.....	90762552

Seat upholstery (black nylon) and mounting hardware

16" W x 16" D	90762555
18" W x 16" D	90762556
20" W x 16" D	90762557

ACCESSORIES

Metro IC4 Accessories (not shown)

1 Heel loop, pair.....	9P386461
2 Wheel lock extension, 8 3/4", pair	90762548
2 Positioning belt (metal buckle)	92133040
3 Anti-Fold bar	92523850
4 O2-IV holder	B10320E
5 Anti-Tippers, pair.....	90762561
6 Seat extension kit; includes seat rail extensions and 18" deep seat upholstery	
16" W	90762558
18" W	90762559
20" W	90762560

Everest & Jennings®

A Graham-Field Brand

Corporate Headquarters:

**Graham-Field Health Products
2935 Northeast Parkway
Atlanta, Georgia 30360 U.S.A.**

telephone: 800-347-5678, 770-447-1609

fax: 800-726-0601, 678-291-3232



www.grahamfield.com

**Metro IC4 Parts Catalog
GF0600056RevD08, March 2008**